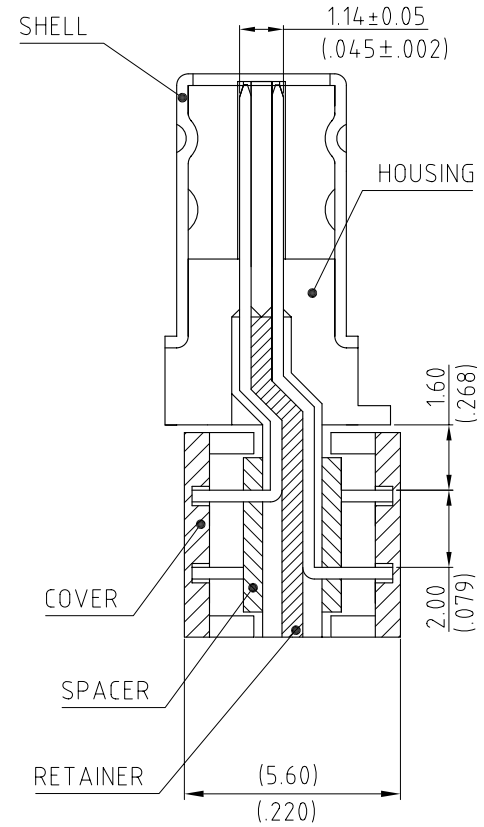
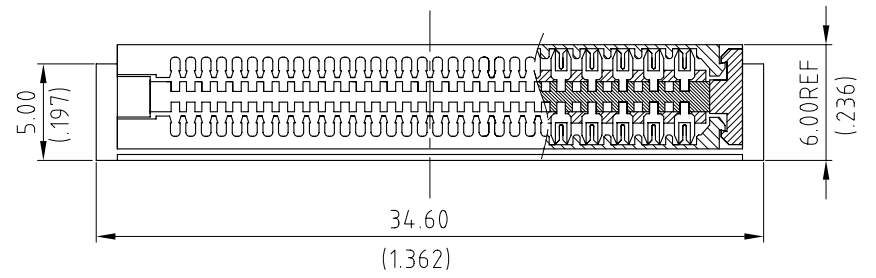
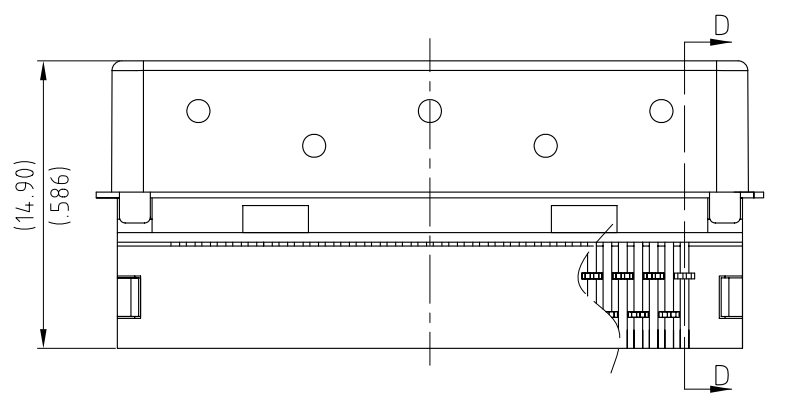
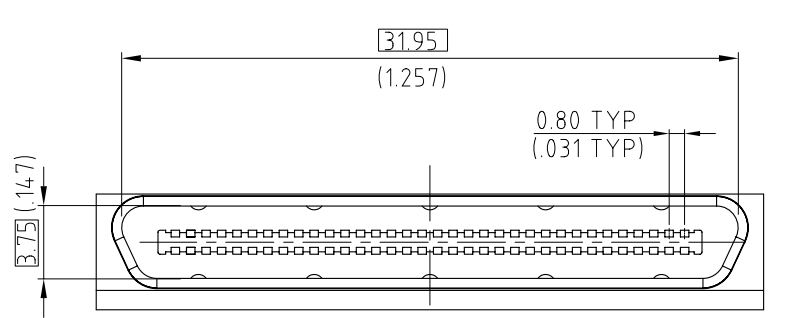


REV.	ZONE	LTR	DESCRIPTION	DATE	REVISOR	APPD
------	------	-----	-------------	------	---------	------



D-D SECTION 2/1

RoHS compliant

ORDERING INFORMATION:
 34D 068 P - 3 2 6 1 1 - (**)
 (1) (2) (3) (4) (5) (6) (7) (8) (9)

- SERIES NUMBER:
34D - 0.8mm VHDCI CONNECTOR DISCRETE I.D.C TYPE
- NUMBER OF CONTACTS:
068 - 68 POSITIONS.
- CONTACT CODES:
P - PLUG.
- COLOR CODES:
3 - BLACK.
- CONTACT FINISH:
0: SELECTED GOLD FLASH OVER 30u" NICKEL PLATED
2: 15u" SELECTED GOLD OVER 50u" NICKEL PLATED
3: 30u" SELECTED GOLD OVER 50u" NICKEL PLATED
- METAL SHELL FINISH:
6 - NICKEL PLATED SHELL
- JACKSCREW TYPE:
0 - WITHOUT JACKSCREW
1 - HAND SCREW W/SLOTTED TYPE (STAINLESS STEEL)
4 - HAND SCREW W/SLOTTED TYPE (SPCC)
- ACCESSORY TYPE:
0 - WITHOUT ACCESSORY
1 - WITH 68 WAYS HOOD ASS'Y, BLACK NICKEL PLATED (ENTY HOLE 11.00(.433)*8.00(.315))
2 - WITH 68 WAYS HOOD ASS'Y, WHITE NICKEL PLATED (ENTY HOLE 11.00(.433)*8.00(.315))
3 - WITH 68 WAYS HOOD ASS'Y, BLACK NICKEL PLATED (ENTY HOLE 13.00(.512)*7.10(.280))
4 - WITH 68 WAYS HOOD ASS'Y, WHITE NICKEL PLATED (ENTY HOLE 13.00(.512)*7.10(.280))
- SUFFIX NUMBER:
AT: THE HOOD IS THIN AND WITHOUT LOGO. (ENTY HOLE 13.00(.512)*7.10(.280))
NONE: WITH NAOMAL HOOD ENTY HOLE 13.00(.512)*7.10(.280)

SPECIFICATIONS:

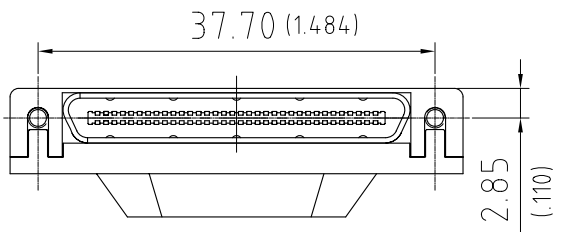
- VOLTAGE RATING :30V AC(rms)
- CURRENT RATING :0.3A/CONTACT
- DIELECTRIC WITHSTANDING VOLTAGE 250V AC(RMS) FOR ONE MINUTE.
- INSULATION RESISTANCE:500 MEGOHMS.
- CONTACT RESISTANCE:50m ohms

MATERIAL:

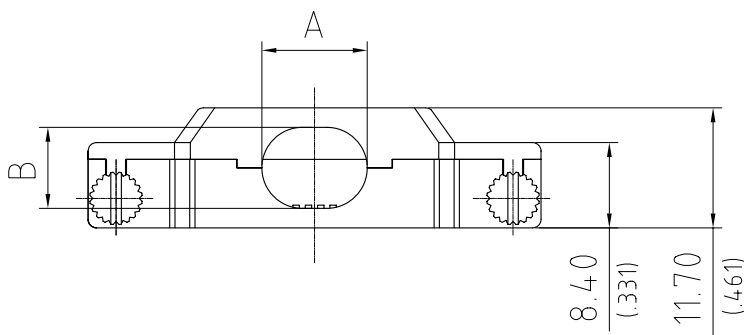
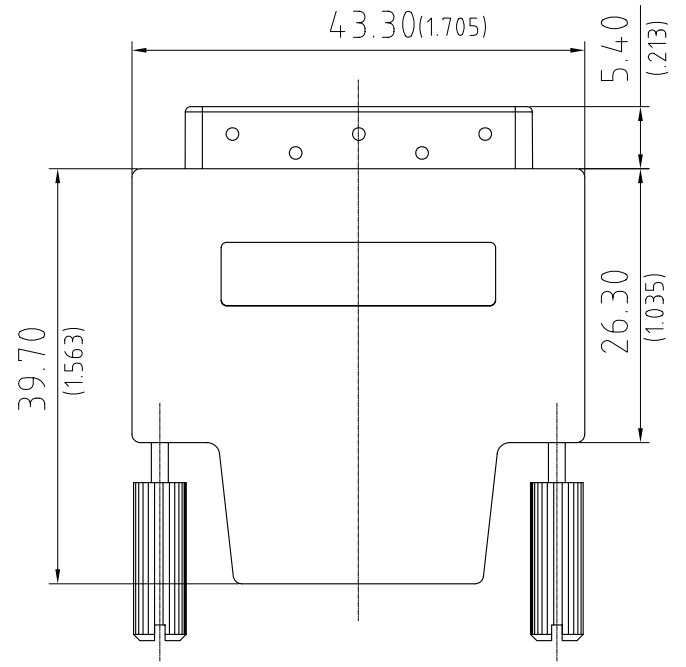
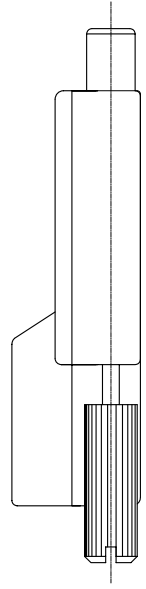
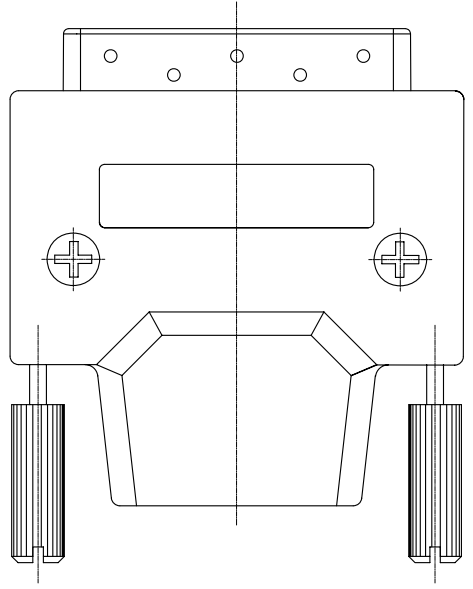
- CONTACT: PHOSPHOR BRONZE, SELECTIVE GOLD PLATING OVER NICKEL.
- HOUSING: PBT WITH 30% GLASS-FIBER, UL94V-0.
- RETAINER: PBT WITH 30% GLASS-FIBER, UL94V-0.
- SPACER: PBT WITH 30% GLASS-FIBER, UL94V-0.
- COVER: PBT WITH 30% GLASS-FIBER, UL94V-0.
- SHELL: SPCC, NICKEL PLATED.

MATERIAL	TOLERANCE UNSPECIFIED		
	.000 ±	SCALE	UNIT
FINISH	.00 ±0.25	FREE	mm(inch)
	.0 ±0.38	NAME 34D SERIES 0.8mm(.032") SPACING VHDCI CONNECTOR DISCRETE I.D.C TYPE	
	ANGLE ±1°	DRAWING NO R-S134D-8	
	DRAWN 李鹏勃 4/22/2002	REV. 1	
	DESIGNER 李鹏勃 4/22/2002		
	CHECKED 胡森華		
	APPROVED 王明芳		

REV.	ZONE	LTR	DESCRIPTION	DATE	REVISER	APPD
------	------	-----	-------------	------	---------	------

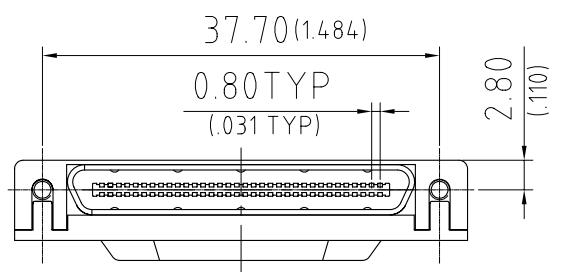


RoHS compliant

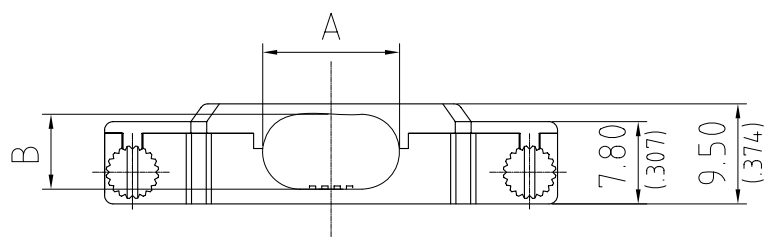
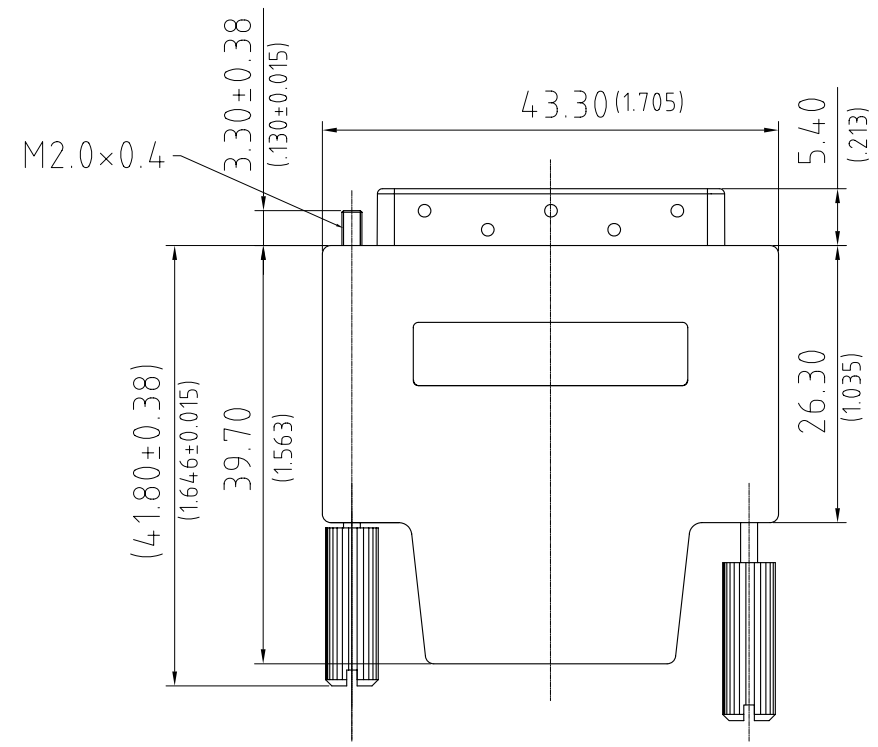
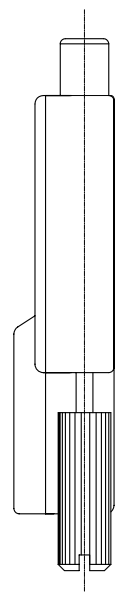
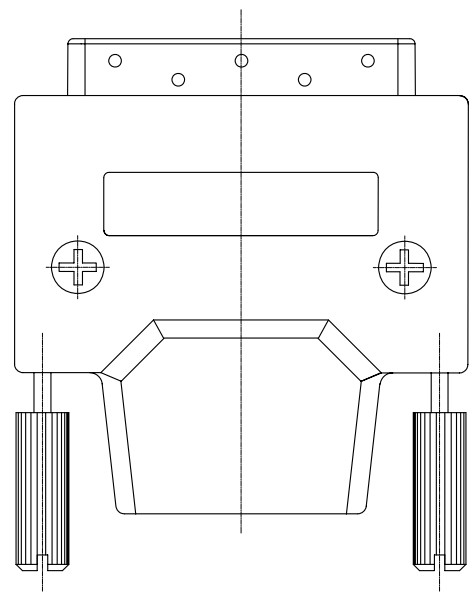


11.00(.433)	8.00(.315)	11.00*8.00(.433*.315)	34D068P-*****
A	B	ENTRY HOLE	PART NO.
MATERIAL	TOLERANCE UNspecified		
X	.000 ±		SCALE
	.00 ±0.25		UNIT
X	.0 ±0.38	1:1	mm(inch)
	ANGLE ±1'	NAME	
FINISH	DRAWN 李鵬勃 4/22.2002	DESIGNER 李鵬勃 4/22.2002	
X	CHECKED 胡森華	0.8 mm VHDCI CONNECTOR	
	APPROVED 王明芳	NORMAL HOOD	
DRAWING NO. R-S134D-8		SHEET 2/3	
		REV. 1	

REV.	ZONE	LTR	DESCRIPTION	DATE	REVISER	APPD
------	------	-----	-------------	------	---------	------



RoHS compliant



13.00(.512)	7.10(.280)	13.00*7.10(.512*.280)	34D068P-*****-AT
A	B	ENTRY HOLE	PART NO.
MATERIAL	TOLERANCE UNSPECIFIED		
	.000 ± .00 ±0.25 .0 ±0.38 . ± ANGLE ± 1° DRAWN		
	FINISH	DESIGNER 李鹏勃 4/22.2002 CHECKED 李鹏勃 4/22.2002 APPROVED 胡森華 王明芳	NAME 0.8 mm VHDCI CONNECTOR THIN TYPE HOOD DRAWING NO. R-S134D-8
		SCALE 1:1	UNIT mm(inch)
		SHEET 3/3	REV. 1