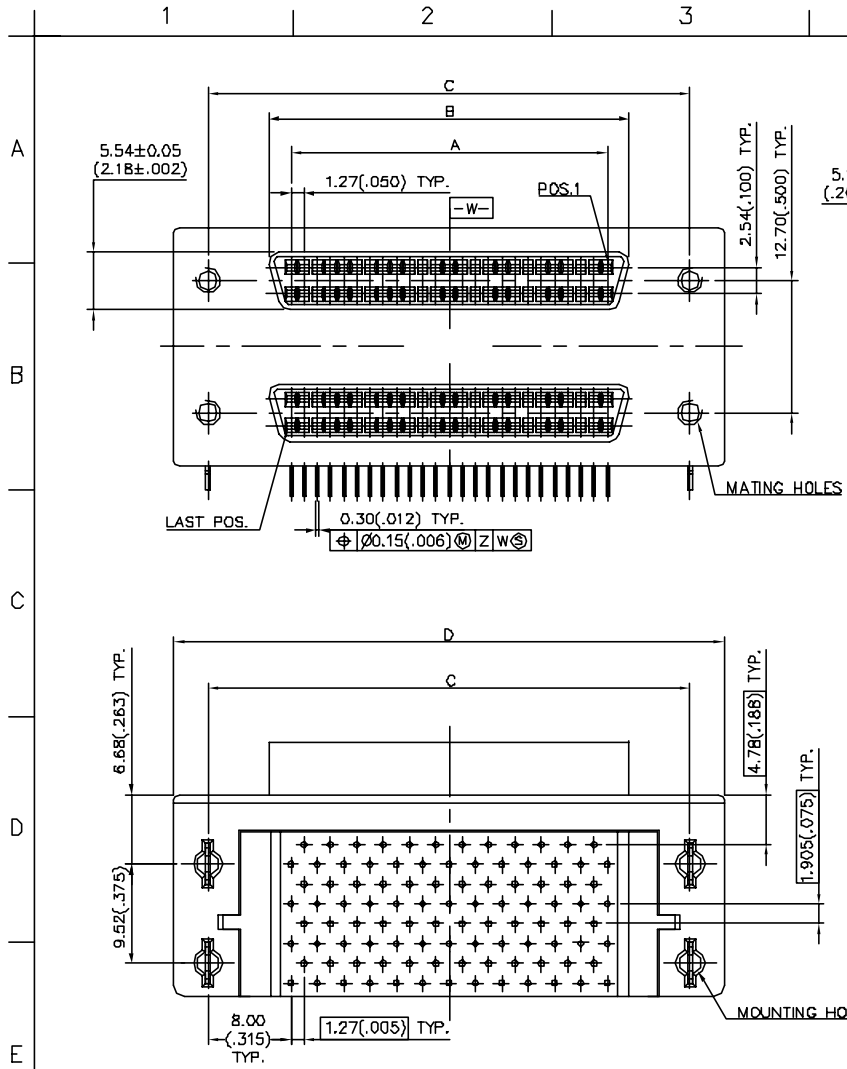


REV.	ZONE	LTR	DESCRIPTION	DATE	REVISER	APPD
2	C5	△	ADD SUFFIX No.: L	8/19/04	ZW	



ORDERING INFORMATION

8AN 050 S - 3 2 3 C 2 - (L)  
 (1) (2) (3) (4) (5) (6) (7) (8) (9)

- SERIES NUMBER  
8AN: HIGH DENSITY 1.27mm(.050") SPACING  
DUAL-DECK MINI CONNECTOR R/A P.C.B TYPE
- NO. OF CONTACTS:  
EX 050: 50\*2 POSITIONS
- CONTACT TYPE:  
S: SOCKET
- INSULATOR COLOR NUMBER  
3: BLACK
- CONTACTS FINISH  
0: CONTACT AREA GOLD FLASH, SOLDER AREA 100u"  
TIN OVER 30u" NICKEL PLATED  
2: CONTACT AREA 15u" GOLD, SOLDER AREA 100u"  
TIN OVER 50u" NICKEL PLATED  
3: CONTACT AREA 30u" GOLD, SOLDER AREA 100u"  
TIN OVER 50u" NICKEL PLATED  
K: CONTACT AREA 6u" GOLD, SOLDER AREA 100u"  
TIN OVER 50u" NICKEL PLATED
- METAL SHELL FINISH:  
3. NICKEL PLATED SHELL WITHOUT GROUNDING INDENTS
- SCREW TYPE:  
A. 2-56 UNC  
B. 4-40 UNC  
C. M2.6\*0.45
- BRACKET TYPE:  
2. WITHOUT RAILS & LATCH BLOCKS
- SUFFIX NO:  
△ L. THE SOLDER TAIL LENGTH: A=3.7 mm  
NONE. THE SOLDER TAIL LENGTH : A=3.2 mm

**RoHS Compliant**

SPECIFICATION:

- INSULATOR MATERIAL: PBT WITH GLASS FIBER REINFORCED UL 94V-0
- BRACKET MATERIAL: ZINC ALLOY, NICKEL PLATING OVER COPPER
- CONTACTS MATERIAL: PHOSPHOR BRONZE, CONTACT AREA SELECTIVE GOLD, SOLDER AREA Tin OVER NICKEL PLATED
- RATING CURRENT: 1A
- INSULATION RESISTANCE: 500MΩ MIN.
- CONTACT RESISTANCE: 35mΩ MAX.
- DIELECTRIC WITHSTANDING VOLTAGE: AC 500V FOR 1 MINUTE
- OPERATING TEMPERATURE: -25°C ~ +85°C.

53.00 (2.087)	46.48 (1.830)	34.70 (1.366)	30.48 (1.200)	8AN050S
D	C	B	A±.013 (.005)	POS.

MATERIAL	TOLERANCE UNSPECIFIED	<b>FREEMPORT</b>		
	.000 ±0.13(.005) .00 ±0.25(.010) .0 ±0.38(.015) ± ANGLE ±1°			
PLATING	Draw	MWLN 12/17-04	SCALE	UNIT
	Designer		FREE	MM(INCH)
	Checked	Peterhu 12/21-01	NAME	
	Approved	John 12/21-04	8AN SERIES 1.27(.050) SCSII-H.D. DUAL-DECK R/A P.C.B. TYPE CONNECTOR	
			Drawing No.	REV.
			R-S18AN-2	2

1

2

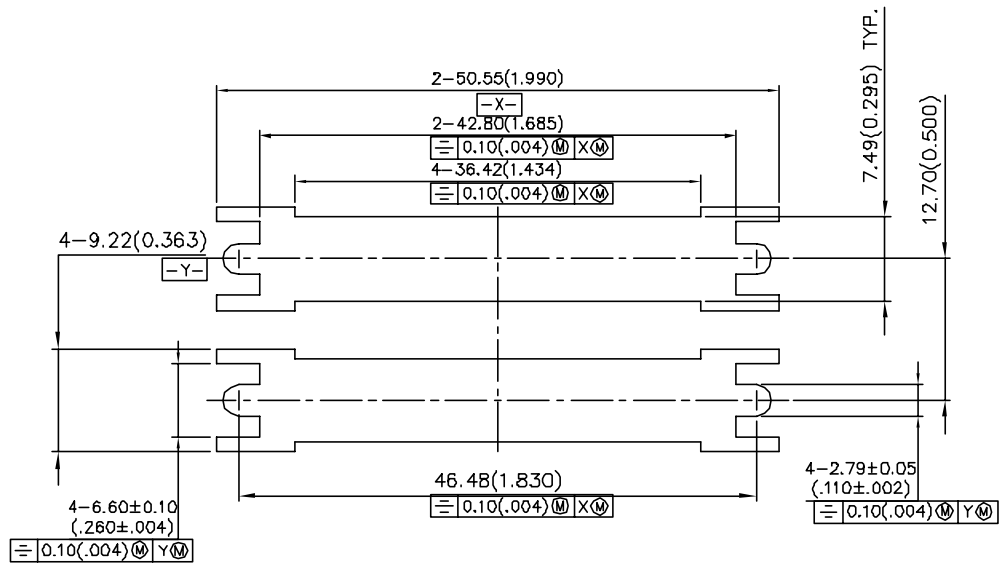
3

4

REV.	ZONE	LTR	DESCRIPTION	DATE	REVISER	APPD

A

A



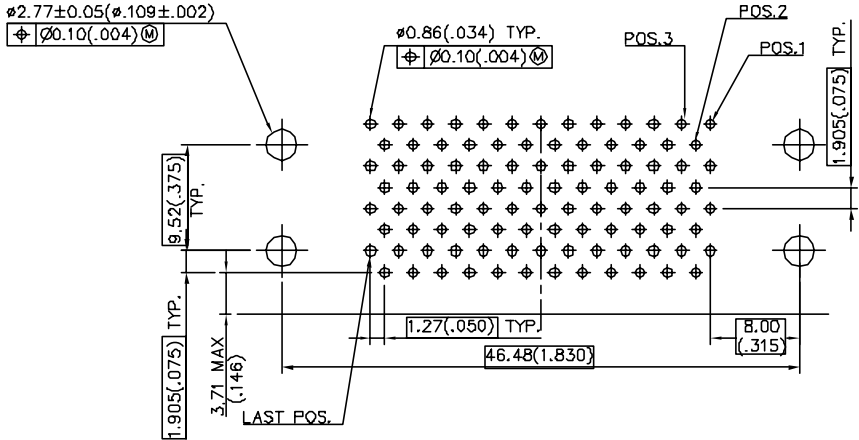
RECOMMENDED PANEL CUTOUT DIMENSIONS

B

B

C

C



RECOMMENDED P.C.B. MOUNTING DIMENSIONS  
P.C.B THICKNESS 1.573±0.20(.062±.008)

D


D

E

E

F

F

TOLERANCE UNSPECIFIED					
.000	±			Scale	UNIT
.00	±			FREE	MM(INCH)
.0	±				
ANGLE	±	1°			
Drawing	MWLIN	12/17-04	Name	Sheet	
Designer			8AN SERIES 1.27(.050)	2/2	
Checked	Peterhu	12/21-04	SCSI-II H.D. DUAL-DECK		
Approved	John	12/21-04	R/A P.C.B. TYPE CONNECTOR		
			Drawing No.	REV.	
			R-S18AN-2	2	

1

2

3

A4|RS18AN22