

REV.	ZONE	LTR	DESCRIPTION	DATE	REVISER	APPD
------	------	-----	-------------	------	---------	------

- ORDERING INFORMATION**
 BAD 0** P - 3 * * * - **
 (1) (2) (3) (4) (5) (6) (7) (8)
- SERIES NUMBER :
 BAD : HIGH DENSITY 1.27(.050") SPACING MINI CONNECTOR DISCRETE I.D.C TYPE
 (FOR 28 AWG WIRE OR WIRE DIAMETER 0.75--0.90mm)
 - NO OF CONTACTS :
 EX 050 : 50 POSITIONS
 (50 * 68)
 - CONTACT TYPE :
 P : PLUG(MALE)
 - COLOR (INSULATOR)
 3 : BLACK
 - CONTACT FINISH :
 0 : SELECTED GOLD FLASH OVER 30μ" NICKEL
 2 : 15μ" SELECTED GOLD OVER 50μ" NICKEL
 3 : 30μ" SELECTED GOLD OVER 50μ" NICKEL
 C : 5μ" SELECTED GOLD OVER 50μ" NICKEL
 - METAL SHELL FINISH :
 1 : TIN PLATED SHELL, WITH GROUNDING INDENTS TWO HOLE(MOLDING TYPE)
 6 : NICKEL PLATED SHELL, WITH GROUNDING INDENTS FIVE HOLE(ASSEMBLAGE TYPE)
 B : NICKEL PLATED SHELL, WITH GROUNDING INDENTS TWO HOLE(MOLDING TYPE)
 - ACCESSORY TYPE CODE:
 0 : W/O ACCESSORY
 2 : WITH 50 WAYS HOOD ASS'Y (ENTRY HOLE 10.0*9.5)
 3 : WITH 50 WAYS HOOD ASS'Y (ENTRY HOLE 12*10)
 5 : WITH 88 WAYS HOOD ASS'Y (ENTRY HOLE 10.0*9.5)
 6 : WITH 88 WAYS HOOD ASS'Y (ENTRY HOLE 13.5*12.0)
 C : WITH 68 WAYS HOOD ASS'Y (ENTRY HOLE 12.0*10.0)
 J : WITH 68 WAYS HAND-SCREW HOOD ASS'Y (ENTRY HOLE 13.5*12.0)
 K : WITH 68 WAYS HAND-SCREW HOOD ASS'Y (ENTRY HOLE 12.0*10.0)
 M : WITH PLASTIC HOOD.
 P : WITH 50 WAYS HAND-SCREW HOOD ASS'Y (ENTRY HOLE 10.8*9.0)
 R : WITH 50 WAYS HAND-SCREW HOOD ASS'Y (ENTRY HOLE 9.8*7.8)
 - SUFFIX NO :
 10 : WITH "EDAINC" LOGO.
 NONE : WITHOUT LOGO.
 AB : WITH M2.6*0.45 HAND-SCREW & EDA LOGO.
 AC : WITH 4#-40UNC HAND-SCREW & EDA LOGO.
 AD : WITH 2#-56UNC HAND-SCREW & EDA LOGO.
 BA : WITH M2.6*0.45 HAND-SCREW & WITHOUT LOGO.
 BB : WITH 4#-40UNC HAND-SCREW & WITHOUT LOGO.
 BC : WITH 2#-56UNC HAND-SCREW & WITHOUT LOGO.

49.63 (1.954)	47.63 (1.875)	49.63 (1.954)	46.28 (1.822)	41.91 (1.650)	68	BAD068P
38.20 (1.504)	36.20 (1.425)	38.20 (1.504)	34.85 (1.372)	30.48 (1.200)	50	BAD050P
E	D	C±0.38 (.015)	B±0.25 (.010)	A±0.13 (.005)	NO.OF POSITION	PART NO.

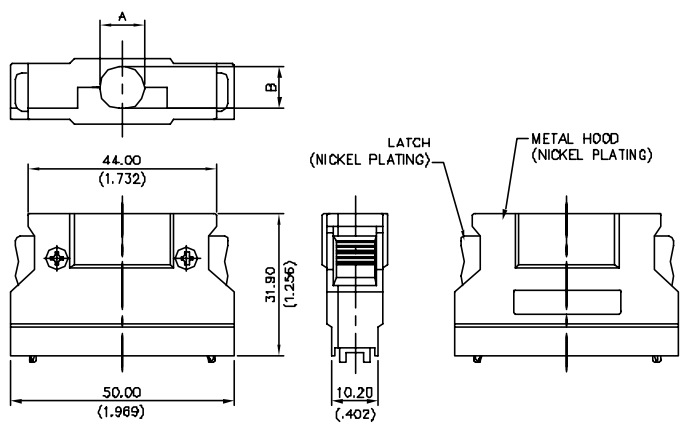
SPECIFICATION

- INSULATOR MATERIAL : PBT WITH GLASS-FIBER REINFORCED UL 94V-0
- CONTACT MATERIAL : PHOSPHOR BRONZE , GOLD OVER NICKEL
- RATED CURRENT : 1A
- INSULATION RESISTANCE : 500MΩ MIN.
- CONTACT RESISTANCE : 35mΩ Max.
- DIELECTRIC WITHSTANDING VOLTAGE : 250 VAC FOR 1 MINUTE.
- OPERATING TEMPERATURE : -25°C ~ +85°C.
- WIRE SIZE : AWG 28 OR WIRE DIAMETER 0.75~0.90mm

RoHS Compliant

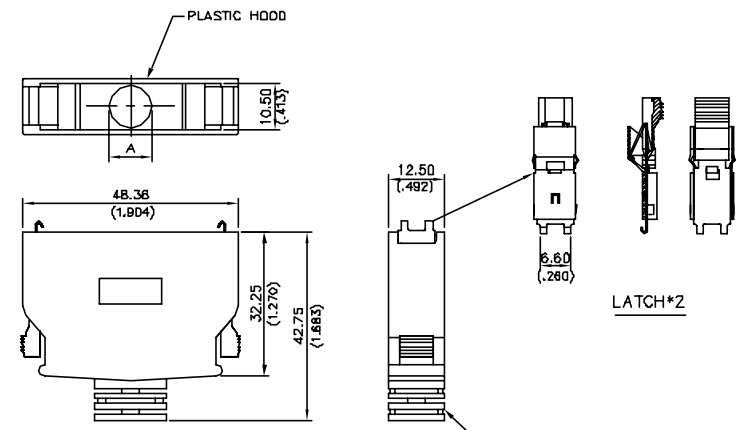
	TOLERANCE UNSPECIFIED		FREEPORT			
	.00 ±				SCALE	UNIT
	.00 ±0.25				1:1	mm(inch)
	.0 ±0.38				NAME 8AD 1.27(.050) SCSI-II H.D. CONNECTOR W/O ACCESSORY	
	ANGLE ±1°				SHEET 1/3	
FINISH	DRAWN MWLin 10/31-02 DESIGNER MWLin 10/31-02 CHECKED Peterhu APPROVED John	DRAWING NO. R-S18AD-2		REV. 1		

REV.	ZONE	LTR	DESCRIPTION	DATE	REVISER	APPD
------	------	-----	-------------	------	---------	------



ACCESSORY: METAL HOOD, SCREW, SR, LATCH

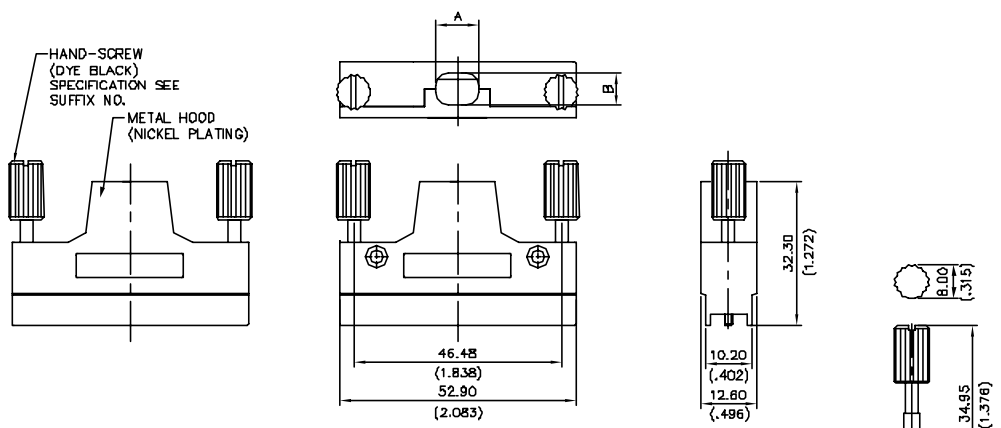
ACCESSORY TYPE CODE	POSITION NO.	DIMENSION A(mm)	DIMENSION B(mm)	ACCESSORY PART NO.
2	50	∅10.00	∅9.50	8AH050-S22-AE
3	50	∅12.00	∅10.00	8AH050-S23-AE



ACCESSORY: PLASTIC HOOD, METAL SHELL, LATCH

ACCESSORY TYPE CODE	POSITION NO.	DIMENSION A(mm)	ACCESSORY PART NO.
M	50	∅9.5	5AH050-S*6

COLOR CODE
 2: GRAY
 3: BLACK
 A: BEIGE

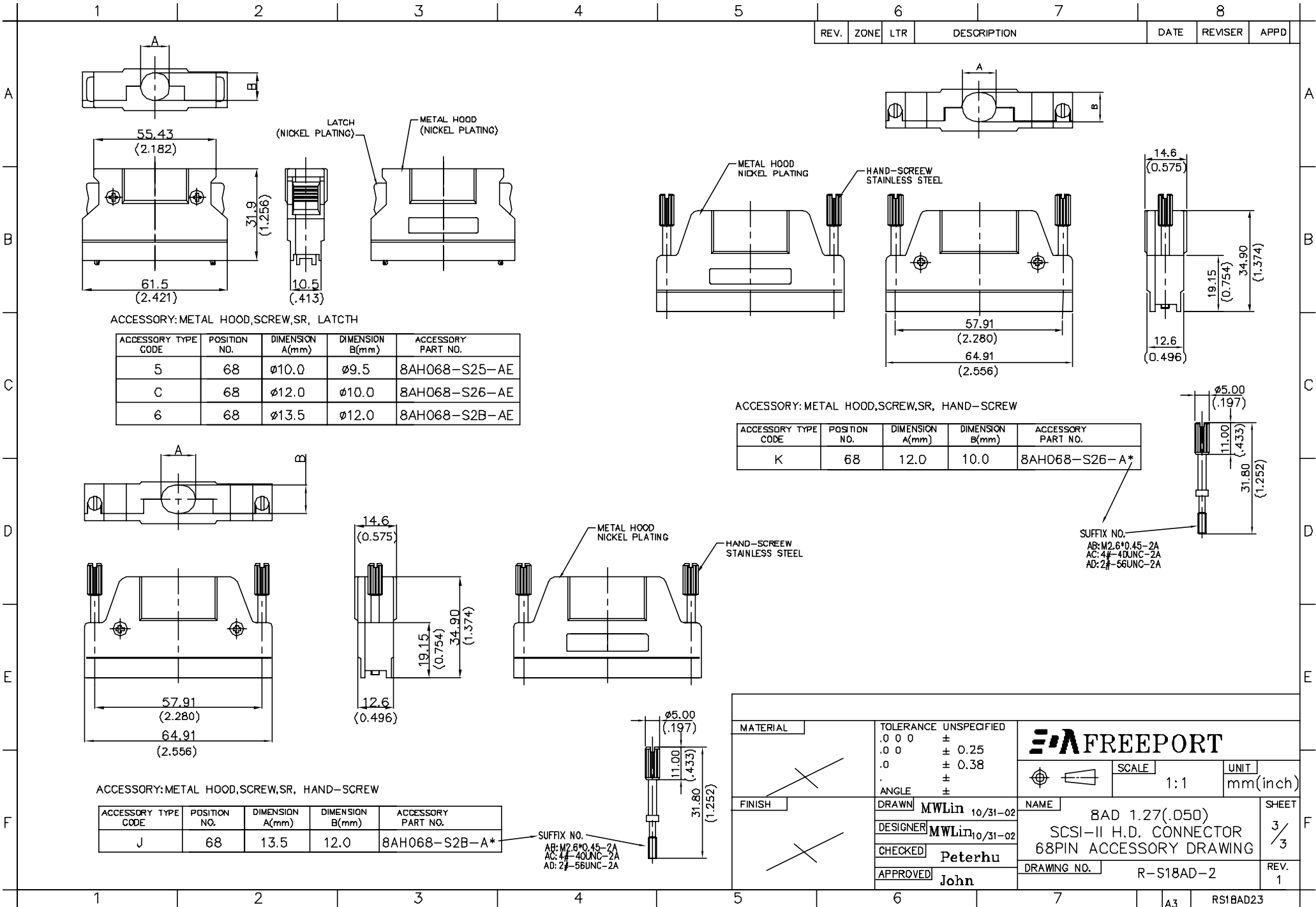


ACCESSORY: METAL HOOD, SR, SCREW, HAND-SCREW

ACCESSORY TYPE CODE	POSITION NO.	DIMENSION A(mm)	DIMENSION B(mm)	ACCESSORY PART NO.
P	50	∅10.00	∅9.50	8AH050-S2G-A*
R	50	∅9.80	∅7.80	8AH050-S2F-A*

SUFFIX NO.
 AB: M2.6*0.45-2A
 AC: 4#-40UNC-2A
 AD: 2#-56UNC-2A

MATERIAL	TOLERANCE UNSPECIFIED		SCALE 1:1 UNIT mm(inch)
	.000 ± .00 ± 0.25 .0 ± . ± ANGLE ±		
FINISH	DRAWN MWLin 10/31-02	NAME 8AD 1.27(.050) SCSII-H.D. CONNECTOR 50PIN ACCESSORY DRAWING	SHEET 2/3 REV. 1
	DESIGNER MWLin 10/31-02		
	CHECKED Peterhu		
	APPROVED John		
DRAWING NO. R-S18AD-2			



REV.	ZONE	LTR	DESCRIPTION	DATE	REVISER	APPD
------	------	-----	-------------	------	---------	------

ACCESSORY: METAL HOOD, SCREW, SR, LATCH

ACCESSORY TYPE CODE	POSITION NO.	DIMENSION A(mm)	DIMENSION B(mm)	ACCESSORY PART NO.
5	68	∅10.0	∅9.5	8AH068-S25-AE
C	68	∅12.0	∅10.0	8AH068-S26-AE
6	68	∅13.5	∅12.0	8AH068-S2B-AE

ACCESSORY: METAL HOOD, SCREW, SR, HAND-SCREW

ACCESSORY TYPE CODE	POSITION NO.	DIMENSION A(mm)	DIMENSION B(mm)	ACCESSORY PART NO.
K	68	12.0	10.0	8AH068-S26-A*

SUFFIX NO.
 AB: M2.6*0.45-2A
 AC: 4#-40UNC-2A
 AD: 2#-56UNC-2A

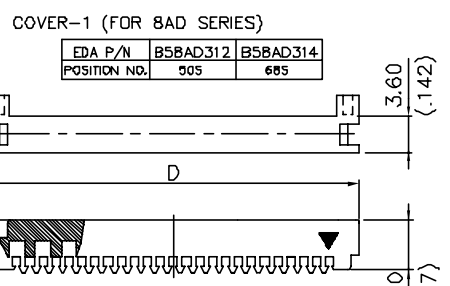
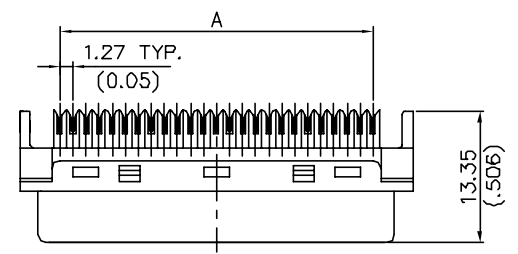
ACCESSORY: METAL HOOD, SCREW, SR, HAND-SCREW

ACCESSORY TYPE CODE	POSITION NO.	DIMENSION A(mm)	DIMENSION B(mm)	ACCESSORY PART NO.
J	68	13.5	12.0	8AH068-S2B-A*

SUFFIX NO.
 AB: M2.6*0.45-2A
 AC: 4#-40UNC-2A
 AD: 2#-56UNC-2A

MATERIAL	TOLERANCE UNSPECIFIED .000 ± .00 ± 0.25 .0 ± 0.38 ANGLE ±	FREEPORT	
FINISH	DRAWN MWLin 10/31-02 DESIGNER MWLin 10/31-02 CHECKED Peterhu APPROVED John	SCALE 1:1	UNIT mm(inch)
		NAME 8AD 1.27(.050) SCSI-II H.D. CONNECTOR 68PIN ACCESSORY DRAWING	SHEET 3/3
		DRAWING NO. R-S18AD-2	REV. 1

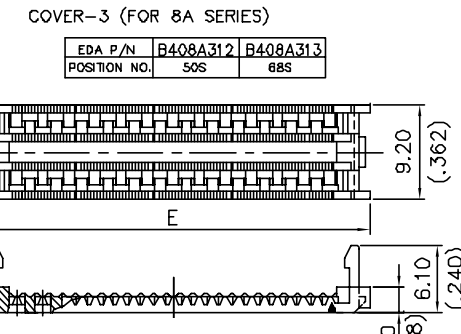
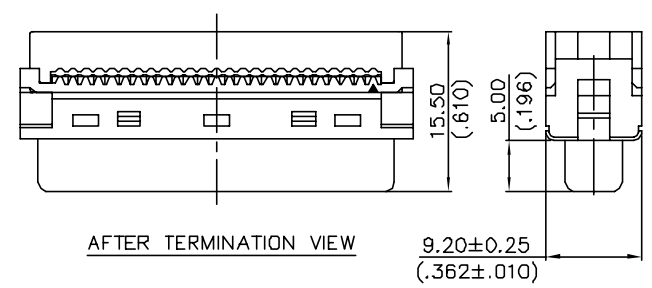
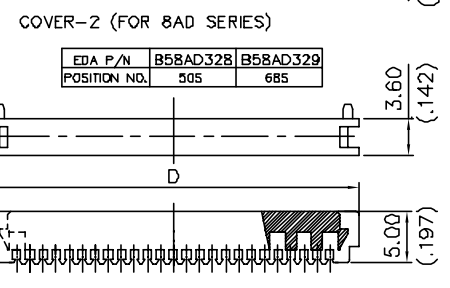
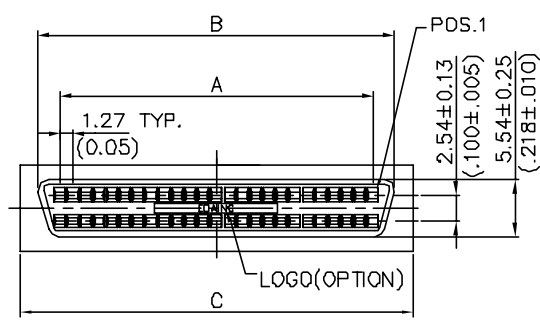
REV.	ZONE	LTR	DESCRIPTION	DATE	REVISER	APPD
------	------	-----	-------------	------	---------	------



ORDERING INFORMATION

8AD 0** S - 3 * * * - **
 (1) (2) (3) (4) (5) (6) (7) (8)

- SERIES NUMBER :
 8AD : HIGH DENSITY 1.27(.050") SPACING MINI CONNECTOR DISCRETE I.D.C TYPE
 (FOR 28 AWG WIRE OR WIRE DIAMETER 0.75--0.90mm)
- NO OF CONTACTS :
 EX 050 : 50 POSITIONS
 (50 , 68)
- CONTACT TYPE :
 S : SOCKET
- COLOR (INSULATOR)
 3 : BLACK
- CONTACT FINISH :
 0 : SELECTED GOLD FLASH OVER 30μ" NICKEL
 2 : 15μ" SELECTED GOLD OVER 50μ" NICKEL
 3 : 30μ" SELECTED GOLD OVER 50μ" NICKEL
 C : 5μ" SELECTED GOLD OVER 50μ" NICKEL
- METAL SHELL FINISH :
 4 : TIN PLATED SHELL, WITHOUT GROUNDING INDENTS TWO HOLE(MOLDING TYPE)
 5 : NICKEL PLATED SHELL, WITHOUT GROUNDING INDENTS FIVE HOLE(ASSEMBLAGE TYPE)
 C : NICKEL PLATED SHELL, WITHOUT GROUNDING INDENTS TWO HOLE(MOLDING TYPE)
- ACCESSORY TYPE CODE:
 0 : W/O ACCESSORY
 2 : WITH 50 WAYS HOOD ASS'Y (ENTRY HOLE 10.0*9.5)
 3 : WITH 50 WAYS HOOD ASS'Y (ENTRY HOLE 12*10)
 5 : WITH 68 WAYS HOOD ASS'Y (ENTRY HOLE 10.0*9.5)
 6 : WITH 68 WAYS HOOD ASS'Y (ENTRY HOLE 13.5*12.0)
 C : WITH 68 WAYS HOOD ASS'Y (ENTRY HOLE 12.0*10.0)
 J : WITH 68 WAYS HAND-SCREW HOOD ASS'Y (ENTRY HOLE 13.5*12.0)
 K : WITH 68 WAYS HAND-SCREW HOOD ASS'Y (ENTRY HOLE 12.0*10.0)
 M : WITH PLASTIC HOOD.
 P : WITH 50 WAYS HAND-SCREW HOOD ASS'Y (ENTRY HOLE 10.8*9.0)
 R : WITH 50 WAYS HAND-SCREW HOOD ASS'Y (ENTRY HOLE 9.8*7.8)
- SUFFIX NO :
 10 : WITH "EDAINC" LOGO.
 NONE : WITHOUT LOGO.
 AB : WITH M2.6*0.45 HAND-SCREW & EDA LOGO.
 AC : WITH 4#-40UNC HAND-SCREW & EDA LOGO.
 AD : WITH 2#-56UNC HAND-SCREW & EDA LOGO.
 BA : WITH M2.6*0.45 HAND-SCREW & WITHOUT LOGO.
 BB : WITH 4#-40UNC HAND-SCREW & WITHOUT LOGO.
 BC : WITH 2#-56UNC HAND-SCREW & WITHOUT LOGO.



RoHS Compliant

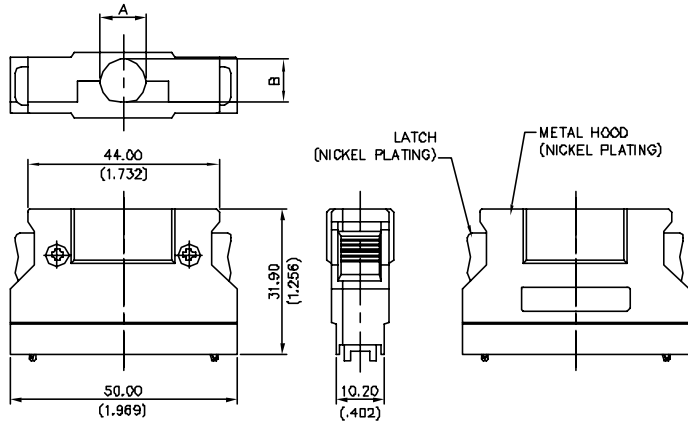
SPECIFICATION

- INSULATOR MATERIAL : PBT WITH GLASS-FIBER REINFORCED UL 94V-0
- CONTACT MATERIAL : PHOSPHOR BRONZE , GOLD OVER NICKEL
- RATED CURRENT : 1A
- INSULATION RESISTANCE : 500MΩ MIN.
- DIELECTRIC WITHSTANDING VOLTAGE : 250 VAC FOR 1 MINUTE.
- OPERATING TEMPERATURE : -25°C ~ +85°C.
- WIRE SIZE : AWG 28 OR WIRE DIAMETER 0.75~0.90mm

49.63 (1.954)	47.63 (1.875)	49.63 (1.954)	46.13 (1.816)	41.91 (1.650)	68	8AD068S
38.20 (1.504)	36.20 (1.425)	38.20 (1.504)	34.70 (1.366)	30.48 (1.200)	50	8AD050S
E	D	C±0.38 (.015)	B±0.25 (.010)	A±0.13 (.005)	NO.OF POSITION	PART NO.

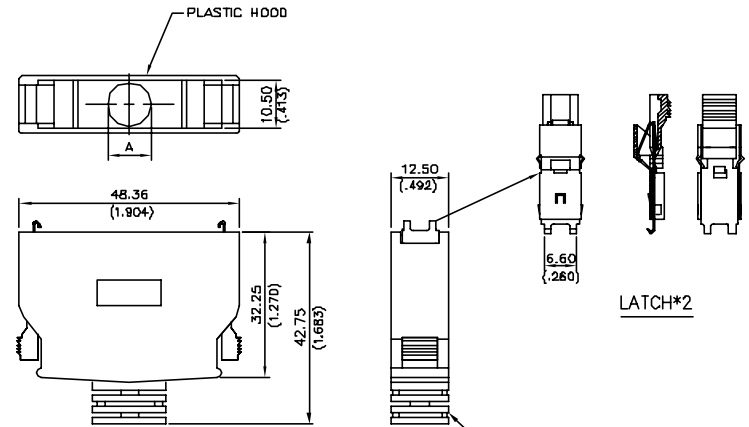
MATERIAL	TOLERANCE UNSPECIFIED	
	.000 ±	
	.00 ± 0.25	
	.0 ± 0.38	
	± 1'	
FINISH	ANGLE	SCALE 1:1
	DRAWN MWLin 10/31-02	UNIT mm(inch)
	DESIGNER MWLin 10/31-02	NAME 8AD 1.27(.050)
	CHECKED Peterhu	SCSI-II H.D FEMALE CONNECTOR
	APPROVED John	W/O ACCESSORY
DRAWING NO. R-S18AD-3		SHEET 1/3
REV. 1		

REV.	ZONE	LTR	DESCRIPTION	DATE	REVISER	APPD
------	------	-----	-------------	------	---------	------



ACCESSORY: METAL HOOD, SCREW, SR, LATCH

ACCESSORY TYPE CODE	POSITION NO.	DIMENSION A(mm)	DIMENSION B(mm)	ACCESSORY PART NO.
2	50	∅10.00	∅9.50	8AH050-S22-AE
3	50	∅12.00	∅10.00	8AH050-S23-AE

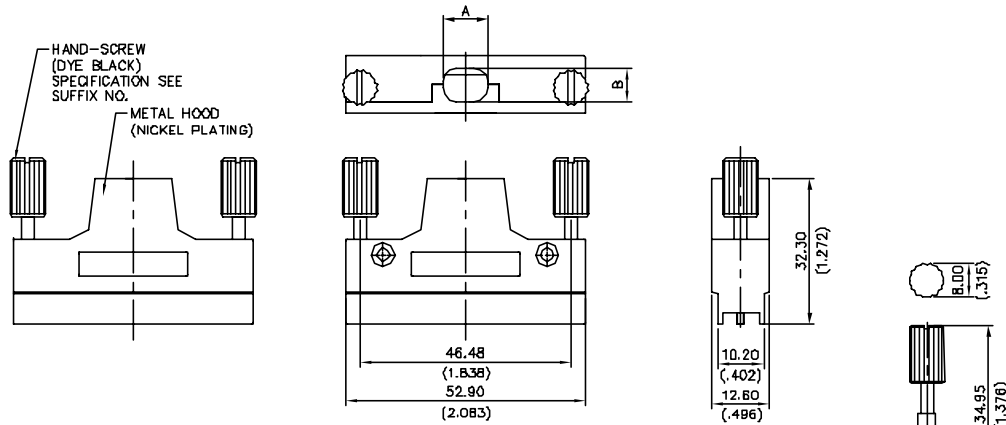


COLOR CODE

- 2: GRAY
- 3: BLACK
- A: BEIGE

ACCESSORY: PLASTIC HOOD, METAL SHELL, LATCH

ACCESSORY TYPE CODE	POSITION NO.	DIMENSION A(mm)	ACCESSORY PART NO.
M	50	∅9.5	5AH050-S*6

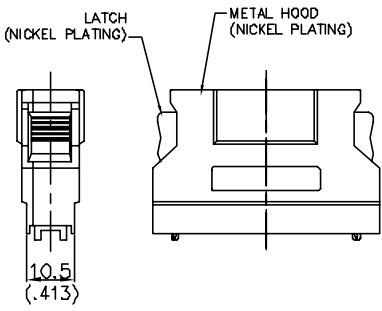
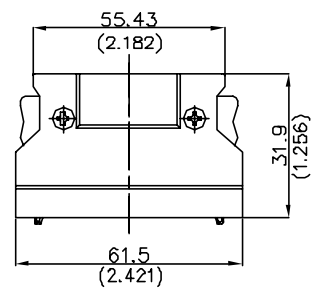
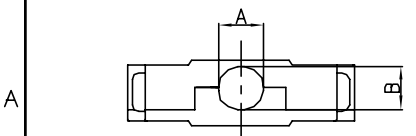


ACCESSORY: METAL HOOD, SR, SCREW, HAND-SCREW

ACCESSORY TYPE CODE	POSITION NO.	DIMENSION A(mm)	DIMENSION B(mm)	ACCESSORY PART NO.
P	50	∅10.00	∅9.50	8AH050-S2G-A*
R	50	∅9.80	∅7.80	8AH050-S2F-A*

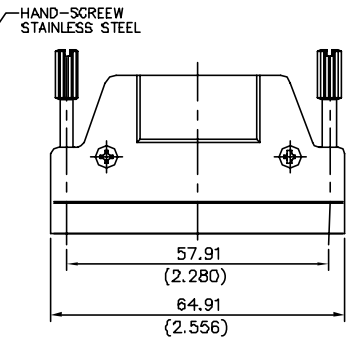
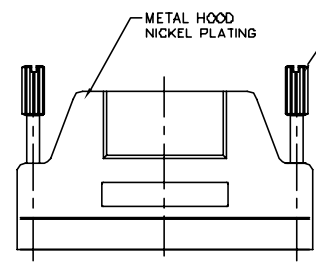
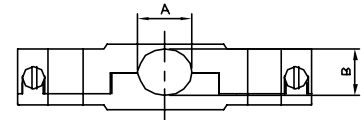
MATERIAL	TOLERANCE UNSPECIFIED .0 D 0 ± .0 D ± 0.25 .0 ± ANGLE ±		SCALE	UNIT
FINISH	DRAWN MWLin 10/31-02 DESIGNER MWLin 10/31-02 CHECKED Peterhu APPROVED John		1:1	mm(inch)
		NAME	SHEET	
		8AD 1.27(.050) SCSI-II H.D. CONNECTOR 50PIN ACCESSORY DRAWING	2/3	
		DRAWING NO.	REV.	
		R-S18AD-3	1	

REV.	ZONE	LTR	DESCRIPTION	DATE	REVISER	APPD



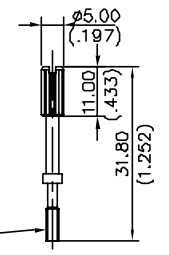
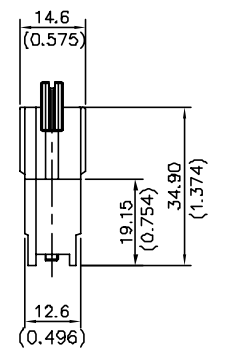
ACCESSORY: METAL HOOD, SCREW, SR, LATCTH

ACCESSORY TYPE CODE	POSITION NO.	DIMENSION A(mm)	DIMENSION B(mm)	ACCESSORY PART NO.
5	68	∅10.0	∅9.5	8AH06B-S25-AE
C	68	∅12.0	∅10.0	8AH06B-S26-AE
6	68	∅13.5	∅12.0	8AH06B-S2B-AE

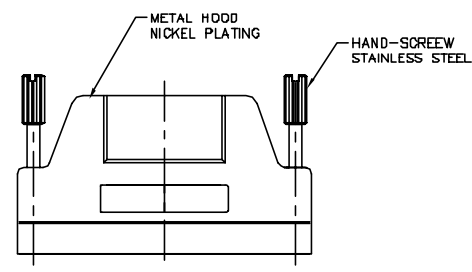
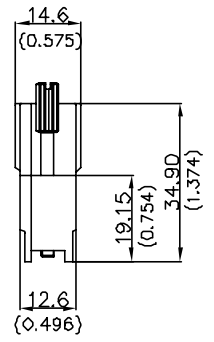
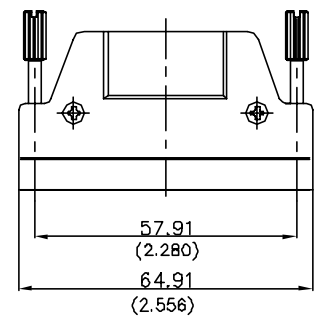
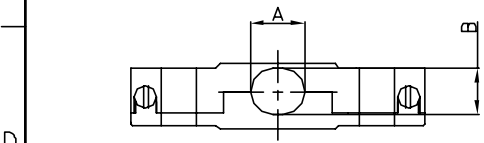


ACCESSORY: METAL HOOD, SCREW, SR, HAND-SCREW

ACCESSORY TYPE CODE	POSITION NO.	DIMENSION A(mm)	DIMENSION B(mm)	ACCESSORY PART NO.
K	68	12.0	10.0	8AH06B-S26-A*



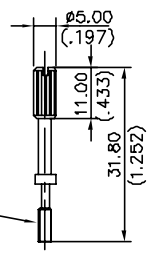
SUFFIX NO.
 AB: M2.6*0.45-2A
 AC: 4#-40UNC-2A
 AD: 2#-56UNC-2A



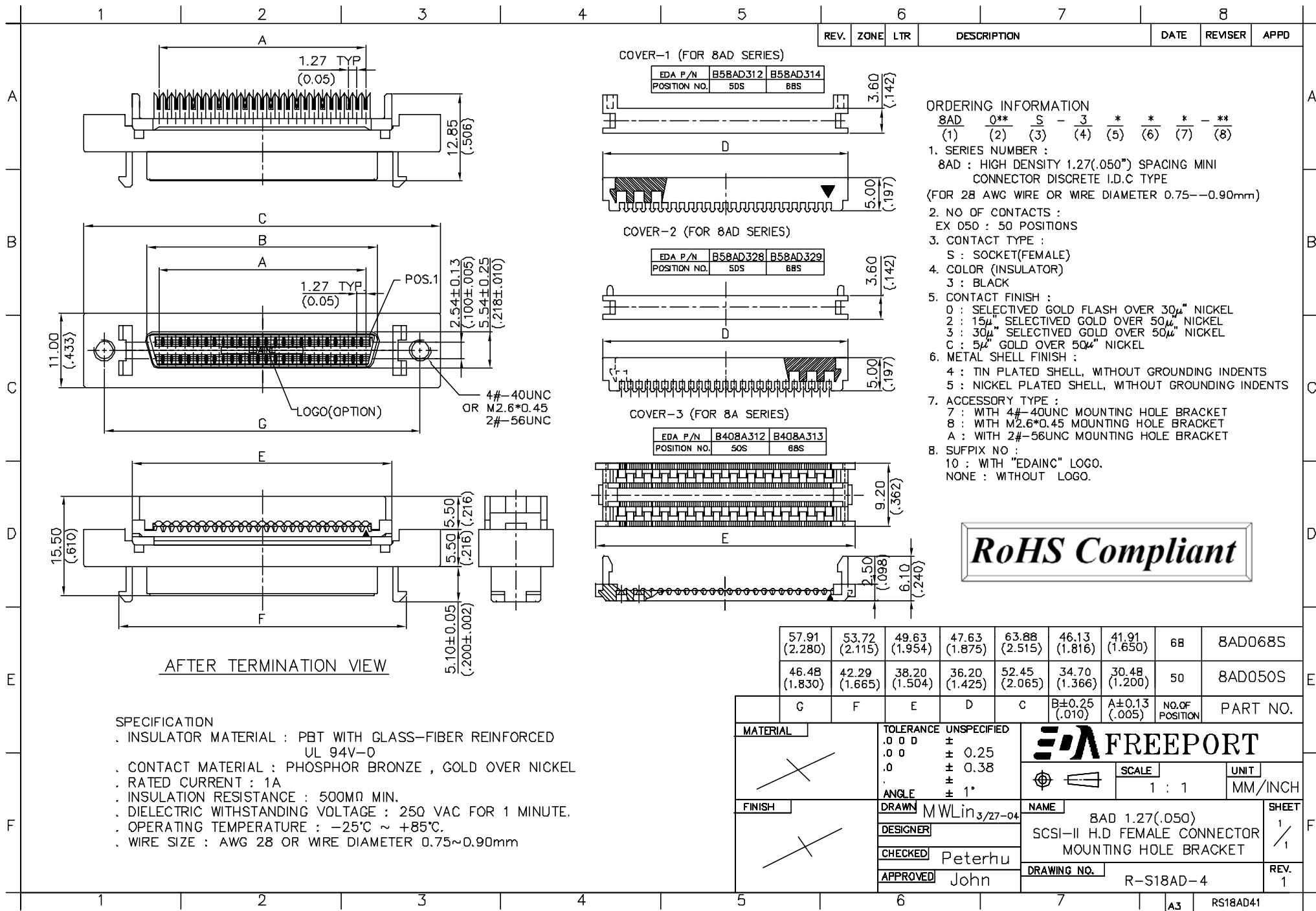
ACCESSORY: METAL HOOD, SCREW, SR, HAND-SCREW

ACCESSORY TYPE CODE	POSITION NO.	DIMENSION A(mm)	DIMENSION B(mm)	ACCESSORY PART NO.
J	68	13.5	12.0	8AH06B-S2B-A*

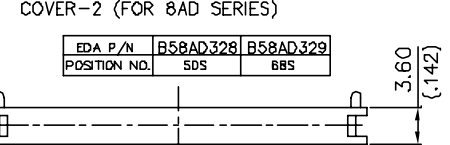
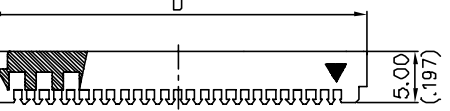
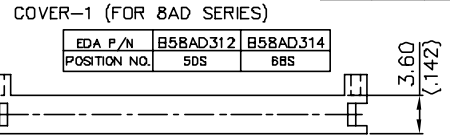
SUFFIX NO.
 AB: M2.6*0.45-2A
 AC: 4#-40UNC-2A
 AD: 2#-56UNC-2A



MATERIAL	TOLERANCE UNSPECIFIED .000 ± .00 ± 0.25 .0 ± 0.38 ANGLE ±		SCALE	UNIT
FINISH	DRAWN MWLin 10/31-02 DESIGNER MWLin 10/31-02 CHECKED Peterhu APPROVED John		1:1	mm(inch)
		NAME	SHEET	
		8AD 1.27(.050)		3/3
		SCSI-II H.D. CONNECTOR		
		68PIN ACCESSORY DRAWING		
		DRAWING NO.	REV.	
		R-S18AD-3	1	



REV.	ZONE	LTR	DESCRIPTION	DATE	REVISER	APPD
------	------	-----	-------------	------	---------	------



ORDERING INFORMATION

8AD 0** S - 3 * * * - **

(1) (2) (3) (4) (5) (6) (7) (8)

1. SERIES NUMBER :
8AD : HIGH DENSITY 1.27(.050") SPACING MINI CONNECTOR DISCRETE I.D.C TYPE
(FOR 28 AWG WIRE OR WIRE DIAMETER 0.75--0.90mm)

2. NO OF CONTACTS :
EX 050 : 50 POSITIONS

3. CONTACT TYPE :
S : SOCKET(FEMALE)

4. COLOR (INSULATOR)
3 : BLACK

5. CONTACT FINISH :
0 : SELECTED GOLD FLASH OVER 30μ" NICKEL
2 : 15μ" SELECTED GOLD OVER 50μ" NICKEL
3 : 30μ" SELECTED GOLD OVER 50μ" NICKEL
C : 5μ" GOLD OVER 50μ" NICKEL

6. METAL SHELL FINISH :
4 : TIN PLATED SHELL, WITHOUT GROUNDING INDENTS
5 : NICKEL PLATED SHELL, WITHOUT GROUNDING INDENTS

7. ACCESSORY TYPE :
7 : WITH 4#-40UNC MOUNTING HOLE BRACKET
8 : WITH M2.6*0.45 MOUNTING HOLE BRACKET
A : WITH 2#-56UNC MOUNTING HOLE BRACKET

8. SUFFIX NO :
10 : WITH "EDAINC" LOGO.
NONE : WITHOUT LOGO.

RoHS Compliant

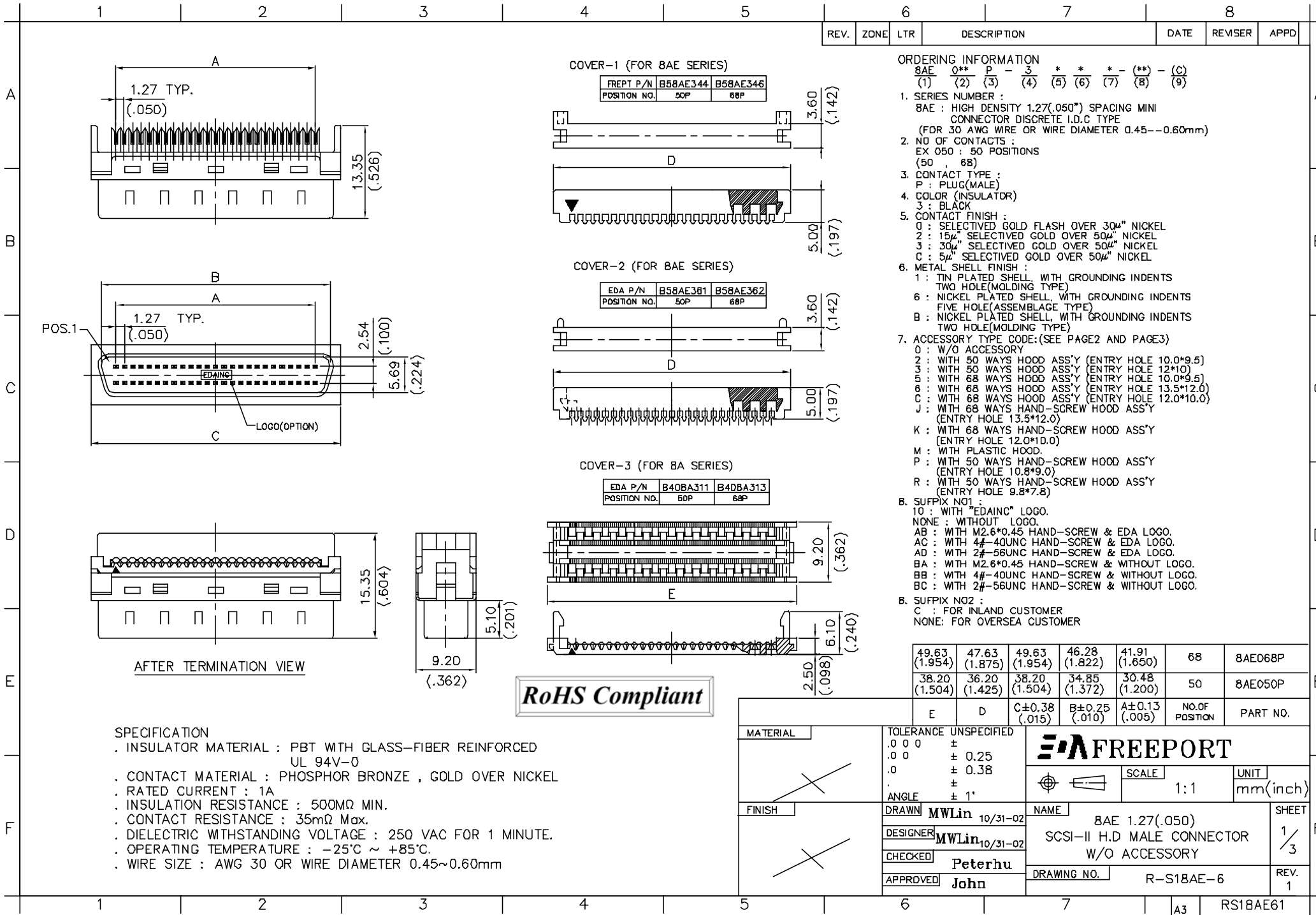
AFTER TERMINATION VIEW

SPECIFICATION

- INSULATOR MATERIAL : PBT WITH GLASS-FIBER REINFORCED UL 94V-0
- CONTACT MATERIAL : PHOSPHOR BRONZE , GOLD OVER NICKEL
- RATED CURRENT : 1A
- INSULATION RESISTANCE : 500MΩ MIN.
- DIELECTRIC WITHSTANDING VOLTAGE : 250 VAC FOR 1 MINUTE.
- OPERATING TEMPERATURE : -25°C ~ +85°C.
- WIRE SIZE : AWG 28 OR WIRE DIAMETER 0.75~0.90mm

57.91 (2.280)	53.72 (2.115)	49.63 (1.954)	47.63 (1.875)	63.88 (2.515)	46.13 (1.816)	41.91 (1.650)	6B	8AD068S
46.48 (1.830)	42.29 (1.665)	38.20 (1.504)	36.20 (1.425)	52.45 (2.065)	34.70 (1.366)	30.48 (1.200)	50	8AD050S
G	F	E	D	C	B±0.25 (.010)	A±0.13 (.005)	NO. OF POSITION	PART NO.

MATERIAL	TOLERANCE UNSPECIFIED .000 ± .00 ± 0.25 .0 ± 0.38 ANGLE ± 1°	<p>FREEPORT</p> <p>SCALE 1 : 1</p> <p>UNIT MM/INCH</p>
FINISH	DRAWN MWLin _{3/27-04} DESIGNER CHECKED Peterhu APPROVED John	
NAME 8AD 1.27(.050)		SHEET 1/1
SCSI-II H.D FEMALE CONNECTOR MOUNTING HOLE BRACKET		
DRAWING NO. R-S18AD-4		REV. 1



REV.	ZONE	LTR	DESCRIPTION	DATE	REVISER	APPD
------	------	-----	-------------	------	---------	------

- ORDERING INFORMATION**
 8AE 0** P - 3 * * * - (**)- (C)
 (1) (2) (3) (4) (5) (6) (7) (8) (9)
- SERIES NUMBER :
 8AE : HIGH DENSITY 1.27(.050") SPACING MINI CONNECTOR DISCRETE I.D.C TYPE
 (FOR 30 AWG WIRE OR WIRE DIAMETER 0.45--0.60mm)
 - NO OF CONTACTS :
 EX 050 : 50 POSITIONS (50 , 68)
 - CONTACT TYPE :
 P : PLUG(MALE)
 - COLOR (INSULATOR)
 3 : BLACK
 - CONTACT FINISH :
 0 : SELECTIVED GOLD FLASH OVER 30μ" NICKEL
 2 : 15μ" SELECTIVED GOLD OVER 50μ" NICKEL
 3 : 30μ" SELECTIVED GOLD OVER 50μ" NICKEL
 C : 5μ" SELECTIVED GOLD OVER 50μ" NICKEL
 - METAL SHELL FINISH :
 1 : TIN PLATED SHELL, WITH GROUNDING INDENTS TWO HOLE(MOLDING TYPE)
 6 : NICKEL PLATED SHELL, WITH GROUNDING INDENTS FIVE HOLE(ASSEMBLAGE TYPE)
 B : NICKEL PLATED SHELL, WITH GROUNDING INDENTS TWO HOLE(MOLDING TYPE)
 - ACCESSORY TYPE CODE:(SEE PAGE2 AND PAGE3)
 0 : W/O ACCESSORY
 2 : WITH 50 WAYS HOOD ASS'Y (ENTRY HOLE 10.0*9.5)
 3 : WITH 50 WAYS HOOD ASS'Y (ENTRY HOLE 12*10)
 5 : WITH 68 WAYS HOOD ASS'Y (ENTRY HOLE 10.0*9.5)
 6 : WITH 68 WAYS HOOD ASS'Y (ENTRY HOLE 13.5*12.0)
 C : WITH 68 WAYS HOOD ASS'Y (ENTRY HOLE 12.0*10.0)
 J : WITH 68 WAYS HAND-SCREW HOOD ASS'Y (ENTRY HOLE 13.5*12.0)
 K : WITH 68 WAYS HAND-SCREW HOOD ASS'Y (ENTRY HOLE 12.0*10.0)
 M : WITH PLASTIC HOOD.
 P : WITH 50 WAYS HAND-SCREW HOOD ASS'Y (ENTRY HOLE 10.8*9.0)
 R : WITH 50 WAYS HAND-SCREW HOOD ASS'Y (ENTRY HOLE 9.8*7.8)
 - SUFFIX NO1 :
 10 : WITH "EDAINC" LOGO.
 NONE : WITHOUT LOGO.
 AB : WITH M2.6*0.45 HAND-SCREW & EDA LOGO.
 AC : WITH 4#-40UNC HAND-SCREW & EDA LOGO.
 AD : WITH 2#-56UNC HAND-SCREW & EDA LOGO.
 BA : WITH M2.6*0.45 HAND-SCREW & WITHOUT LOGO.
 BB : WITH 4#-40UNC HAND-SCREW & WITHOUT LOGO.
 BC : WITH 2#-56UNC HAND-SCREW & WITHOUT LOGO.
 - SUFFIX NO2 :
 C : FOR INLAND CUSTOMER
 NONE: FOR OVERSEA CUSTOMER

49.63 (1.954)	47.63 (1.875)	49.63 (1.954)	46.28 (1.822)	41.91 (1.650)	68	8AE068P
38.20 (1.504)	36.20 (1.425)	38.20 (1.504)	34.85 (1.372)	30.48 (1.200)	50	8AE050P
E	D	C±0.38 (.015)	B±0.25 (.010)	A±0.13 (.005)	NO.OF POSITION	PART NO.

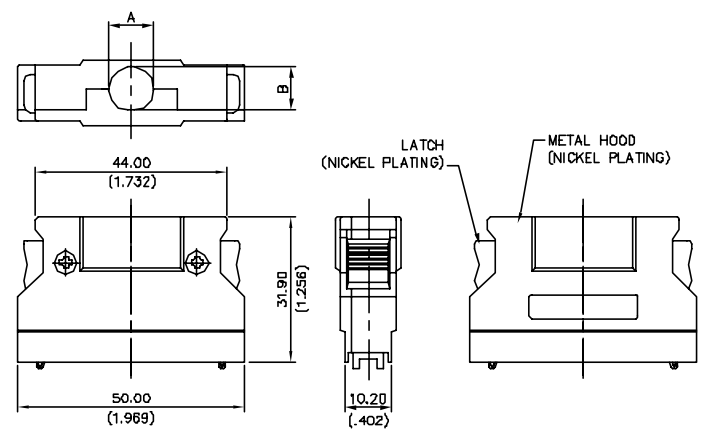
RoHS Compliant

SPECIFICATION

- INSULATOR MATERIAL : PBT WITH GLASS-FIBER REINFORCED UL 94V-0
- CONTACT MATERIAL : PHOSPHOR BRONZE , GOLD OVER NICKEL
- RATED CURRENT : 1A
- INSULATION RESISTANCE : 500MΩ MIN.
- CONTACT RESISTANCE : 35mΩ Max.
- DIELECTRIC WITHSTANDING VOLTAGE : 250 VAC FOR 1 MINUTE.
- OPERATING TEMPERATURE : -25°C ~ +85°C.
- WIRE SIZE : AWG 30 OR WIRE DIAMETER 0.45~0.60mm

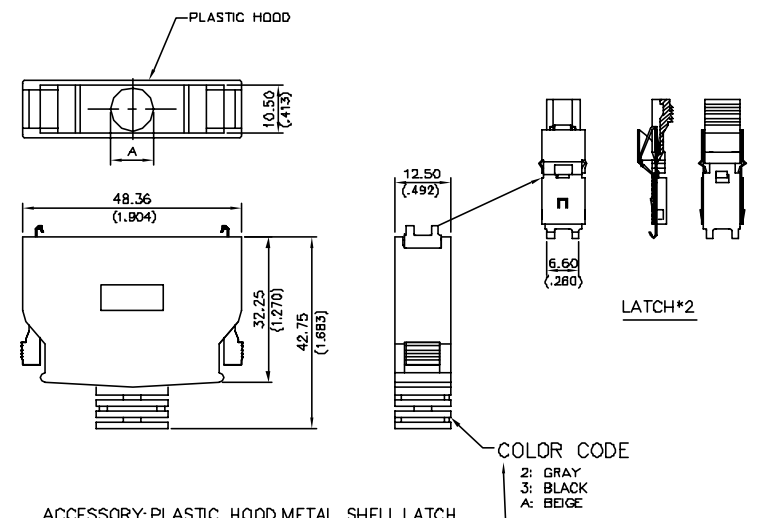
MATERIAL	TOLERANCE UNSPECIFIED .000 ± .00 ± 0.25 .0 ± 0.38 ± ANGLE ± 1'		SCALE	UNIT
FINISH	DRAWN MWLin 10/31-02 DESIGNER MWLin 10/31-02 CHECKED Peterhu APPROVED John		1:1	mm(inch)
		NAME	SHEET	
		8AE 1.27(.050) SCSI-II H.D MALE CONNECTOR W/O ACCESSORY		1/3
		DRAWING NO.	REV.	
		R-S18AE-6	1	

REV.	ZONE	LTR	DESCRIPTION	DATE	REVISER	APPD
------	------	-----	-------------	------	---------	------



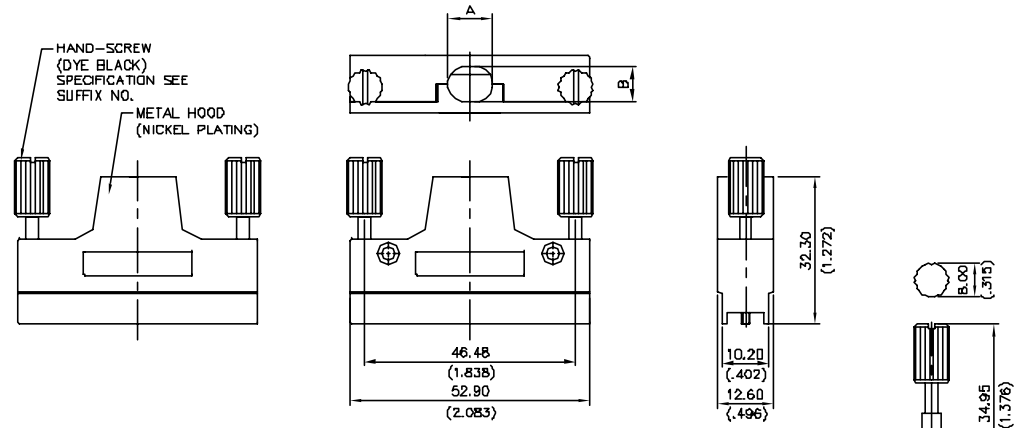
ACCESSORY: METAL HOOD, SCREW, SR, LATCH

ACCESSORY TYPE CODE	POSITION NO.	DIMENSION A(mm)	DIMENSION B(mm)	ACCESSORY PART NO.
2	50	∅10.00	∅9.50	8AH050-S22-AE
3	50	∅12.00	∅10.00	8AH050-S23-AE



ACCESSORY: PLASTIC HOOD, METAL SHELL, LATCH

ACCESSORY TYPE CODE	POSITION NO.	DIMENSION A(mm)	ACCESSORY PART NO.
M	50	∅9.5	5AH050-S*6



ACCESSORY: METAL HOOD, SR, SCREW, HAND-SCREW

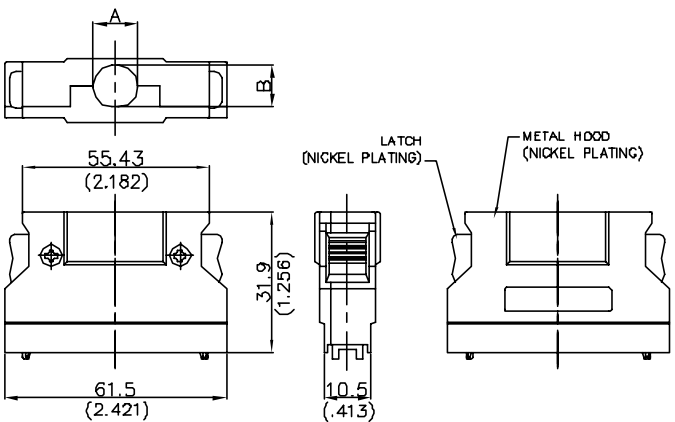
ACCESSORY TYPE CODE	POSITION NO.	DIMENSION A(mm)	DIMENSION B(mm)	ACCESSORY PART NO.
P	50	∅10.00	∅9.50	8AH050-S2G-A*
R	50	∅9.80	∅7.80	8AH050-S2F-A*

SUFFIX NO.
 AB: M2.8*0.45-2A
 AC: 4-40UNC-2A
 AD: 2-56UNC-2A

MATERIAL	TOLERANCE UNSPECIFIED .000 ± .00 ± 0.25 .0 ± 0.38 ANGLE ± 1°		SCALE 1:1	UNIT mm(inch)
FINISH	DRAWN MWLin 10/31-02 DESIGNER MWLin 10/31-02 CHECKED Peterhu APPROVED John		NAME 8AE 1.27(.050) SCSI-II H.D MALE CONNECTOR 50PIN ACCESSORY DRAWING	SHEET 2/3
		DRAWING NO. R-S18AE-6	REV. 1	

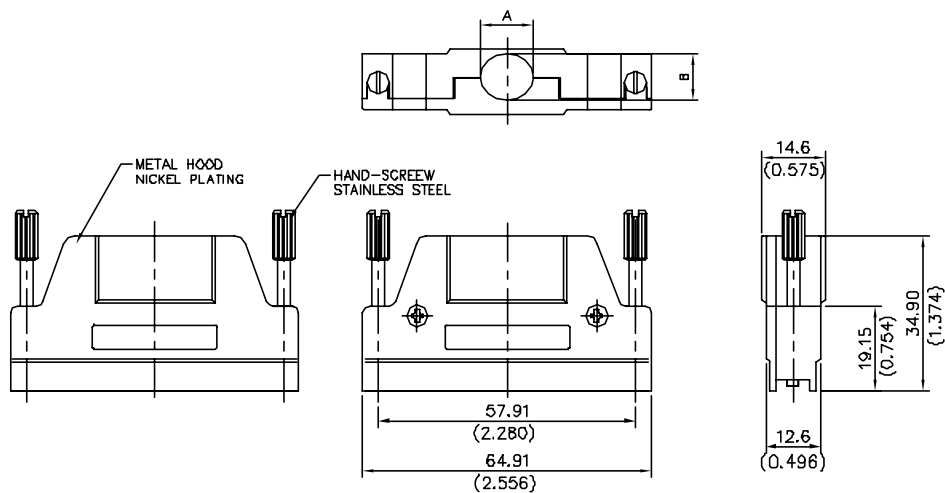
REV.	ZONE	LTR	DESCRIPTION	DATE	REVISER	APPD
------	------	-----	-------------	------	---------	------

A
B
C
D
E
F



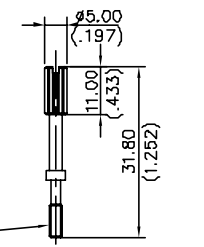
ACCESSORY: METAL HOOD, SCREW, SR, LATCH

ACCESSORY TYPE CODE	POSITION NO.	DIMENSION A(mm)	DIMENSION B(mm)	ACCESSORY PART NO.
5	68	∅10.0	∅9.5	8AH068-S25-AE
C	68	∅12.0	∅10.0	8AH068-S26-AE
6	68	∅13.5	∅12.0	8AH068-S2B-AE

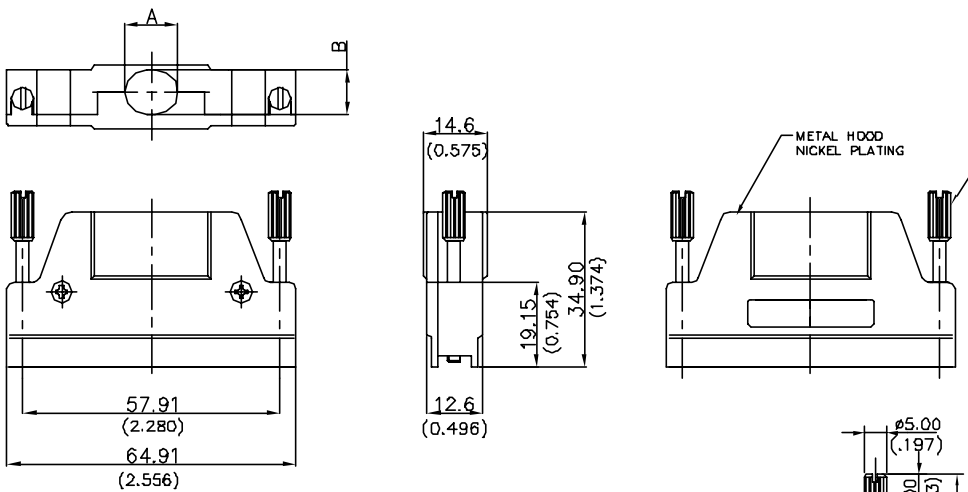


ACCESSORY: METAL HOOD, SCREW, SR, HAND-SCREW

ACCESSORY TYPE CODE	POSITION NO.	DIMENSION A(mm)	DIMENSION B(mm)	ACCESSORY PART NO.
K	68	12.0	10.0	8AH068-S26-A*



SUFFIX NO.
 AB: M2.6*0.45-2A
 AC: 4#-40UNC-2A
 AD: 2#-56UNC-2A



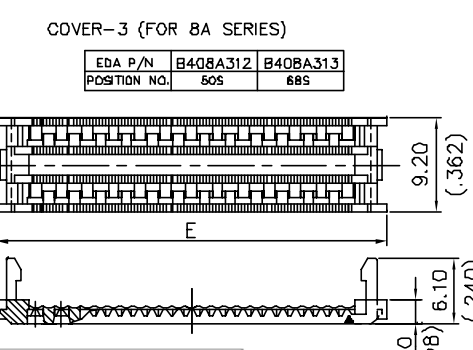
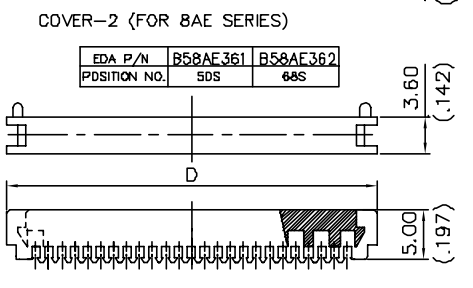
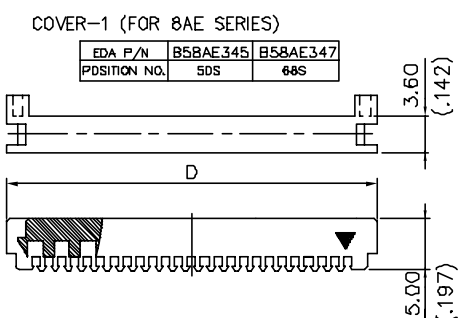
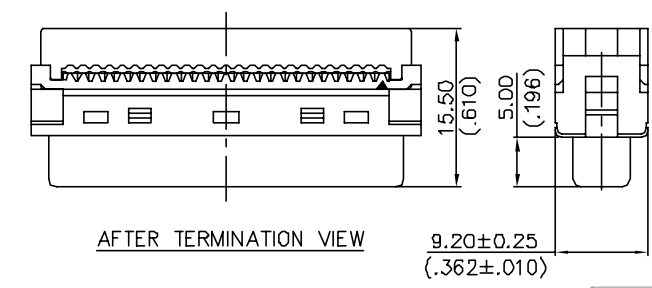
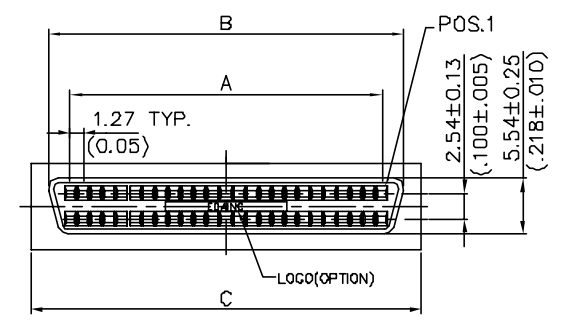
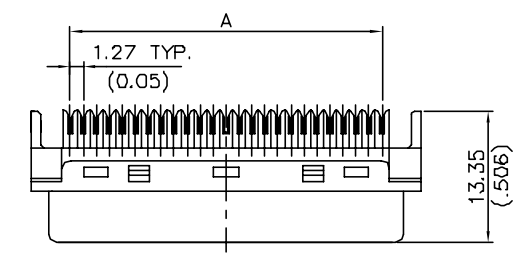
ACCESSORY: METAL HOOD, SCREW, SR, HAND-SCREW

ACCESSORY TYPE CODE	POSITION NO.	DIMENSION A(mm)	DIMENSION B(mm)	ACCESSORY PART NO.
J	68	13.5	12.0	8AH068-S2B-A*

SUFFIX NO.
 AB: M2.6*0.45-2A
 AC: 4#-40UNC-2A
 AD: 2#-56UNC-2A

MATERIAL	TOLERANCE UNSPECIFIED		SCALE 1:1	UNIT mm(inch)
	.000 ±			
FINISH	.00 ± 0.25	DRAWN MWLin 10/31-02	NAME 8AE 1.27(.050)	SHEET 3/3
	.0 ± 0.38			
	ANGLE ± 1°	DESIGNER MWLin 10/31-02	SCSI-II H.D MALE CONNECTOR 68PIN ACCESSORY DRAWING	REV. 1
		CHECKED Peterhu		
		APPROVED John	DRAWING NO. R-S18AE-6	

REV.	ZONE	LTR	DESCRIPTION	DATE	REVISER	APPD
------	------	-----	-------------	------	---------	------



ORDERING INFORMATION

8AE 0** S - 3 * * * - **
 (1) (2) (3) (4) (5) (6) (7) (8)

- SERIES NUMBER :
 8AE : HIGH DENSITY 1.27(.050") SPACING MINI CONNECTOR DISCRETE I.D.C TYPE
 (FOR 30 AWG WIRE OR WIRE DIAMETER 0.45--0.60mm)
- NO OF CONTACTS :
 EX 050 : 50 POSITIONS (50 , 68)
- CONTACT TYPE :
 S : SOCKET(FEMALE)
- COLOR (INSULATOR)
 3 : BLACK
- CONTACT FINISH :
 0 : SELECTED GOLD FLASH OVER 30μ" NICKEL
 2 : 15μ" SELECTED GOLD OVER 50μ" NICKEL
 3 : 30μ" SELECTED GOLD OVER 50μ" NICKEL
 C : 5μ" SELECTED GOLD OVER 50μ" NICKEL
- METAL SHELL FINISH :
 4 : TIN PLATED SHELL, WITHOUT GROUNDING INDENTS TWO HOLE(MOLDING TYPE)
 5 : NICKEL PLATED SHELL, WITHOUT GROUNDING INDENTS FIVE HOLE(ASSEMBLAGE TYPE)
 C : NICKEL PLATED SHELL, WITHOUT GROUNDING INDENTS TWO HOLE(MOLDING TYPE)
- ACCESSORY TYPE CODE:
 D : W/O ACCESSORY
 2 : WITH 50 WAYS HOOD ASS'Y (ENTRY HOLE 10.0*9.5)
 3 : WITH 50 WAYS HOOD ASS'Y (ENTRY HOLE 12*10)
 5 : WITH 68 WAYS HOOD ASS'Y (ENTRY HOLE 10.0*9.5)
 6 : WITH 68 WAYS HOOD ASS'Y (ENTRY HOLE 13.5*12.0)
 C : WITH 68 WAYS HOOD ASS'Y (ENTRY HOLE 12.0*10.0)
 J : WITH 68 WAYS HAND-SCREW HOOD ASS'Y (ENTRY HOLE 13.5*12.0)
 K : WITH 68 WAYS HAND-SCREW HOOD ASS'Y (ENTRY HOLE 12.0*10.0)
 M : WITH PLASTIC HOOD.
 P : WITH 50 WAYS HAND-SCREW HOOD ASS'Y (ENTRY HOLE 10.8*9.0)
 R : WITH 50 WAYS HAND-SCREW HOOD ASS'Y (ENTRY HOLE 9.8*7.8)
- SUFFIX NO. :
 10 : WITH "EDAINC" LOGO.
 NONE : WITHOUT LOGO.
 AB : WITH M2.6*0.45 HAND-SCREW & EDA LOGO.
 AC : WITH 4#-40UNC HAND-SCREW & EDA LOGO.
 AD : WITH 2#-56UNC HAND-SCREW & EDA LOGO.
 BA : WITH M2.6*0.45 HAND-SCREW & WITHOUT LOGO.
 BB : WITH 4#-40UNC HAND-SCREW & WITHOUT LOGO.
 BC : WITH 2#-56UNC HAND-SCREW & WITHOUT LOGO.

RoHS Compliant

SPECIFICATION

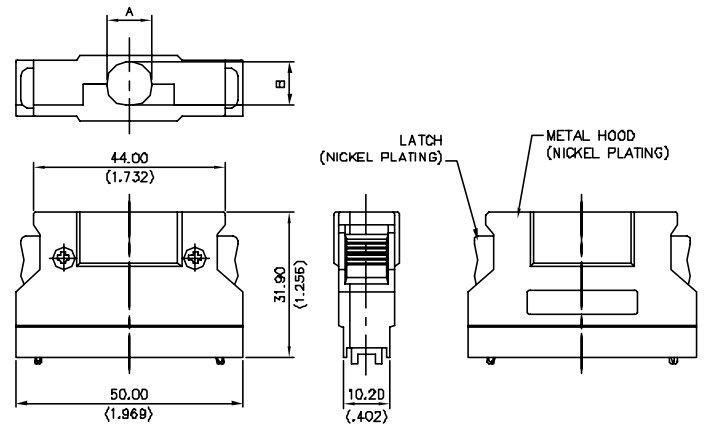
- INSULATOR MATERIAL : PBT WITH GLASS-FIBER REINFORCED UL 94V-0
- CONTACT MATERIAL : PHOSPHOR BRONZE , GOLD OVER NICKEL
- RATED CURRENT : 1A
- INSULATION RESISTANCE : 500MΩ MIN.
- CONTACT RESISTANCE : 35mΩ Max
- DIELECTRIC WITHSTANDING VOLTAGE : 250 VAC FOR 1 MINUTE.
- OPERATING TEMPERATURE : -25°C ~ +85°C.
- WIRE SIZE : AWG 30 OR WIRE DIAMETER 0.45~0.60mm

49.63 (1.954)	47.63 (1.875)	49.63 (1.954)	46.13 (1.816)	41.91 (1.650)	6B	8AE068S
38.20 (1.504)	36.20 (1.425)	38.20 (1.504)	34.70 (1.366)	30.48 (1.200)	50	8AE050S
E	D	C±0.38 (.015)	B±0.25 (.010)	A±0.13 (.005)	NO.OF POSITION	PART NO.

MATERIAL	TOLERANCE UNSPECIFIED .0 D 0 ± .0 D ± 0.25 .0 ± 0.38 - ± ANGLE ± 1°		SCALE	1:1	UNIT	mm (inch)	
FINISH	DRAWN MWLin 10/31-02		NAME	8AE 1.27(.050)		SHEET	1/3
	DESIGNER MWLin 10/31-02		SCSI-II H.D FEMALE CONNECTOR				
	CHECKED Peterhu		W/O ACCESSORY				
	APPROVED John	DRAWING NO.	R-S18AE-7		REV.	1	

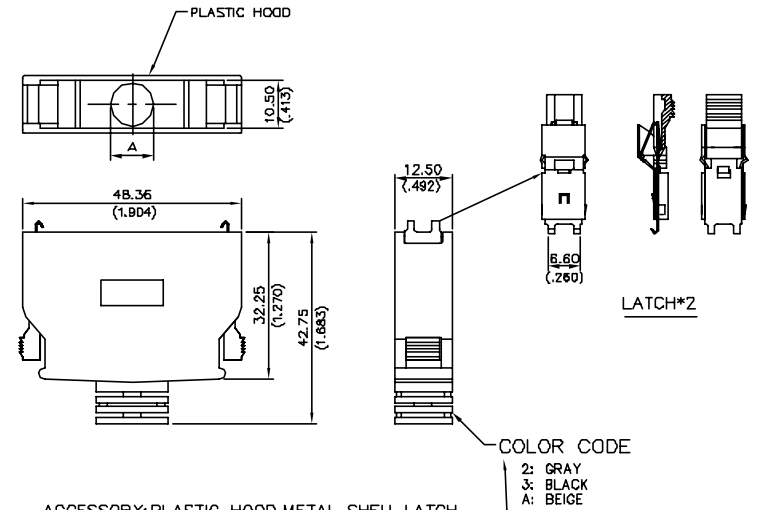
REV.	ZONE	LTR	DESCRIPTION	DATE	REVISER	APPD
------	------	-----	-------------	------	---------	------

A
B
C
D
E
F



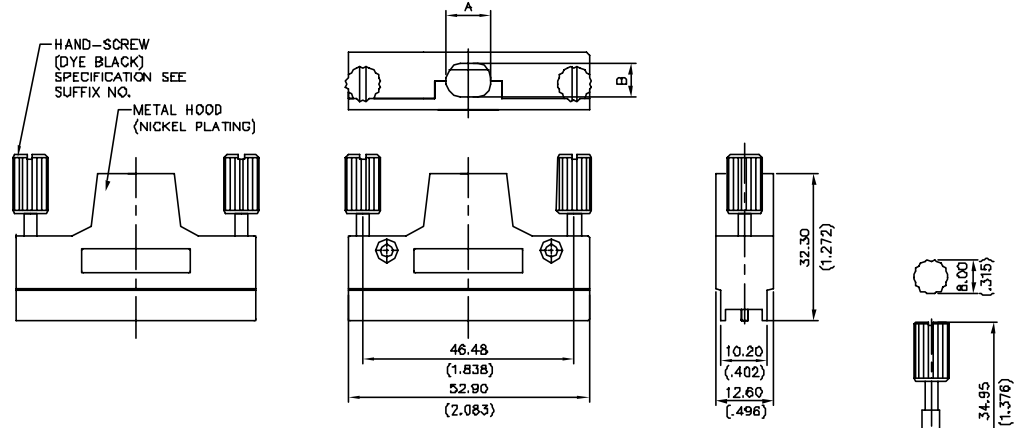
ACCESSORY: METAL HOOD, SCREW, SR, LATCH

ACCESSORY TYPE CODE	POSITION NO.	DIMENSION A(mm)	DIMENSION B(mm)	ACCESSORY PART NO.
2	50	ø10.00	ø9.50	8AH050-S22-AE
3	50	ø12.00	ø10.00	8AH050-S23-AE



ACCESSORY: PLASTIC HOOD, METAL SHELL, LATCH

ACCESSORY TYPE CODE	POSITION NO.	DIMENSION A(mm)	ACCESSORY PART NO.
M	50	ø9.5	5AH050-S*6



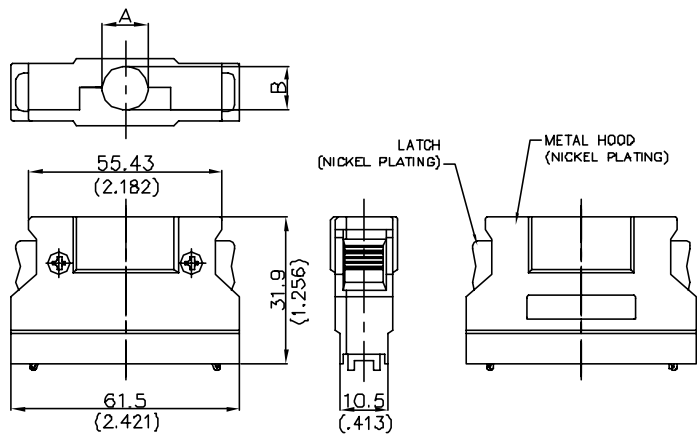
ACCESSORY: METAL HOOD, SR, SCREW, HAND-SCREW

ACCESSORY TYPE CODE	POSITION NO.	DIMENSION A(mm)	DIMENSION B(mm)	ACCESSORY PART NO.
P	50	ø10.00	ø9.50	8AH050-S2G-A*
R	50	ø9.80	ø7.80	8AH050-S2F-A*

SUFFIX NO.
AR: M2.6*0.45-2A
AC: 4#-40UNC-2A
AD: 2#-56UNC-2A

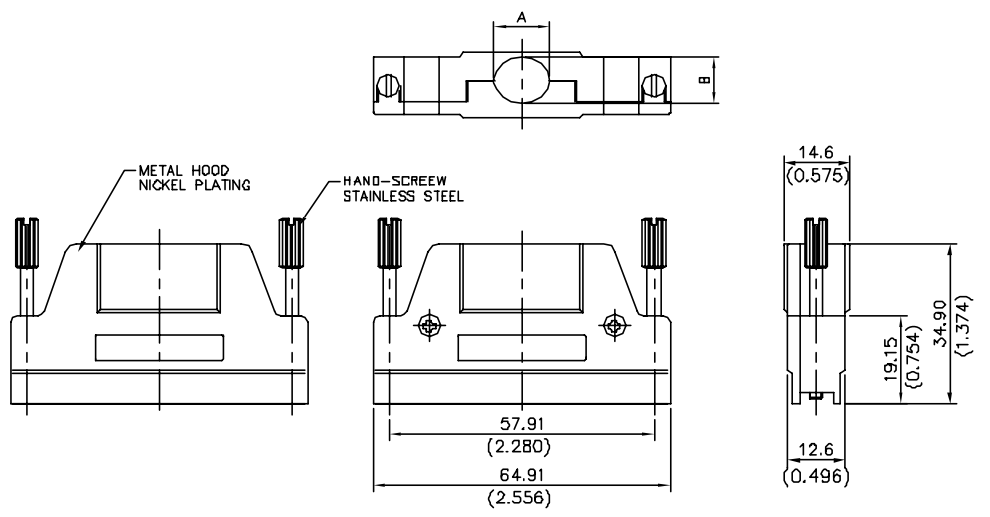
MATERIAL	TOLERANCE UNSPECIFIED .000 ± .00 ± 0.25 .0 ± 0.38 ANGLE ± 1'	FREEPORT
FINISH	DRAWN: MWLin 10/31-02 DESIGNER: MWLin 10/31-02 CHECKED: Peterhu APPROVED: John	SCALE: 1:1 UNIT: mm (inch)
NAME: 8AE 1.27(.050) SCSI-II H.D FEMALE CONNECTOR 50PIN ACCESSORY DRAWING		SHEET: 2/3
DRAWING NO.: R-S1BAE-7		REV. 1

REV.	ZONE	LTR	DESCRIPTION	DATE	REVISER	APPD
------	------	-----	-------------	------	---------	------



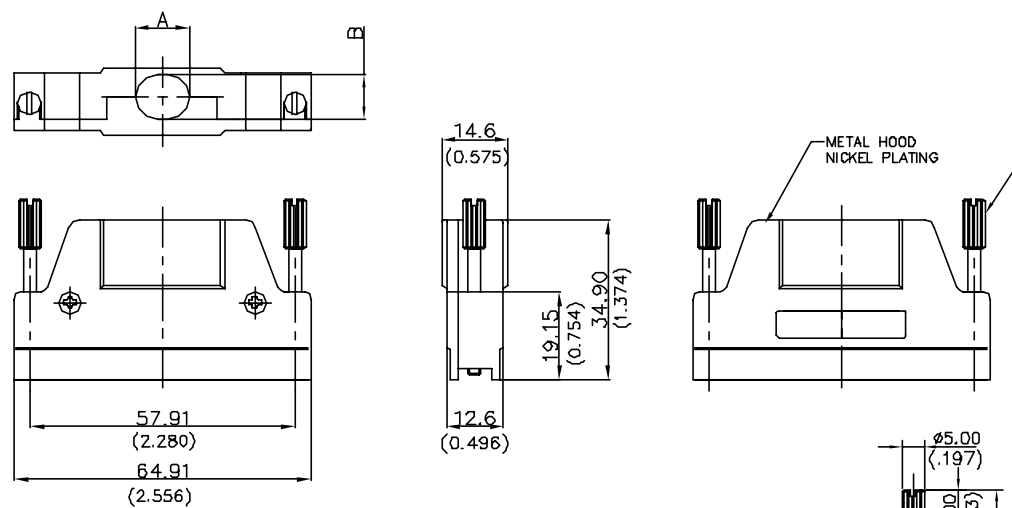
ACCESSORY: METAL HOOD, SCREW, SR, LATCH

ACCESSORY TYPE CODE	POSITION NO.	DIMENSION A(mm)	DIMENSION B(mm)	ACCESSORY PART NO.
5	68	∅10.0	∅9.5	8AH068-S25-AE
C	68	∅12.0	∅10.0	8AH068-S26-AE
6	68	∅13.5	∅12.0	8AH068-S2B-AE



ACCESSORY: METAL HOOD, SCREW, SR, HAND-SCREW

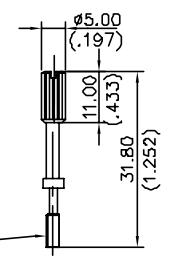
ACCESSORY TYPE CODE	POSITION NO.	DIMENSION A(mm)	DIMENSION B(mm)	ACCESSORY PART NO.
K	68	12.0	10.0	8AH068-S26-A*



ACCESSORY: METAL HOOD, SCREW, SR, HAND-SCREW

ACCESSORY TYPE CODE	POSITION NO.	DIMENSION A(mm)	DIMENSION B(mm)	ACCESSORY PART NO.
J	68	13.5	12.0	8AH068-S2B-A*

SUFFIX NO.
 AB: M2.6*0.45-2A
 AC: 4#-40UNC-2A
 AD: 2#-56UNC-2A

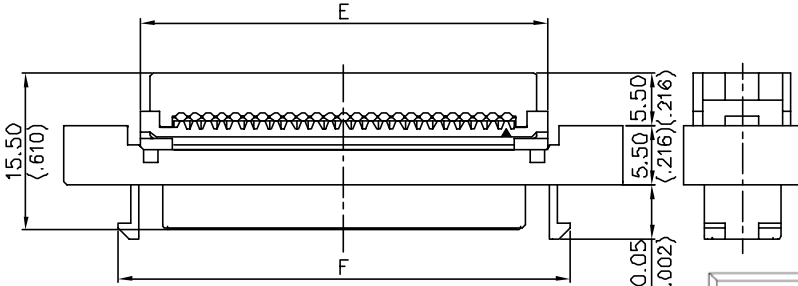
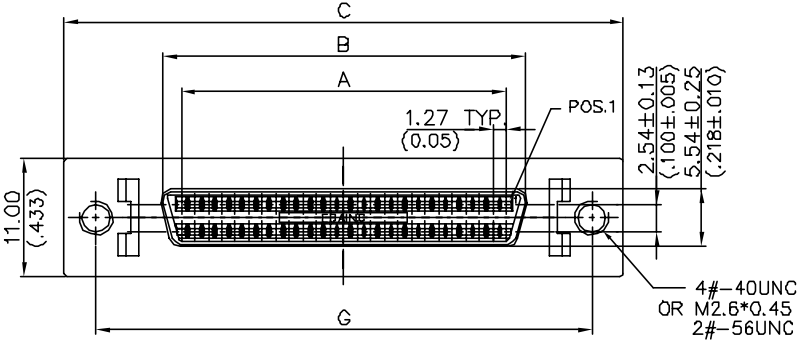
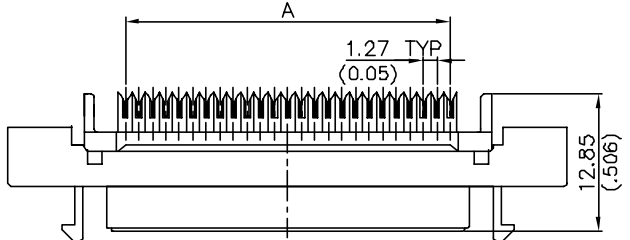


SUFFIX NO.
 AB: M2.6*0.45-2A
 AC: 4#-40UNC-2A
 AD: 2#-56UNC-2A

MATERIAL	TOLERANCE UNSPECIFIED		SCALE 1:1	UNIT mm(inch)
	.000 ±			
FINISH	.00 ± 0.25	DRAWN MWLin 10/31-02	NAME 8AE 1.27(.050)	SHEET 3/3
	.0 ± 0.38			
	ANGLE ± 1°	CHECKED Peterhu	DRAWING NO. R-S18AE-7	REV. 1
		APPROVED John		

A
B
C
D
E
F

REV.	ZONE	LTR	DESCRIPTION	DATE	REVISER	APPD
------	------	-----	-------------	------	---------	------



AFTER TERMINATION VIEW

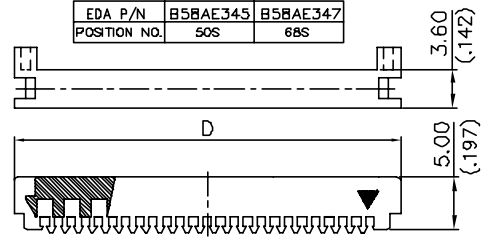
SPECIFICATION

- INSULATOR MATERIAL : PBT WITH GLASS-FIBER REINFORCED UL 94V-0
- CONTACT MATERIAL : PHOSPHOR BRONZE , GOLD OVER NICKEL
- RATED CURRENT : 1A
- INSULATION RESISTANCE : 500MΩ MIN.
- DIELECTRIC WITHSTANDING VOLTAGE : 250 VAC FOR 1 MINUTE.
- OPERATING TEMPERATURE : -25°C ~ +85°C.
- WIRE SIZE : AWG 30 OR WIRE DIAMETER 0.45~0.60mm

RoHS Compliant

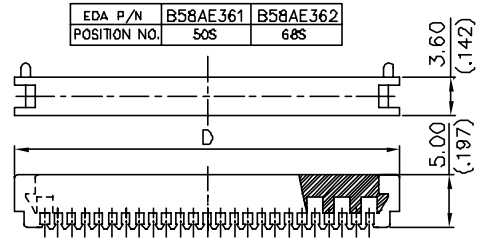
COVER-1 (FOR 8AE SERIES)

EDA P/N	B58AE345	B58AE347
POSITION NO.	50S	68S



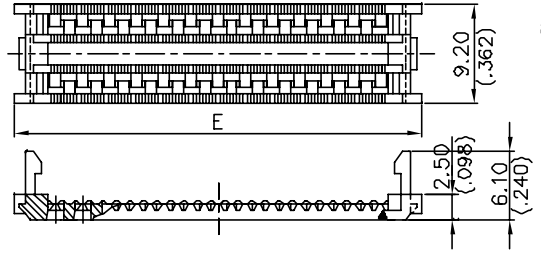
COVER-2 (FOR 8AE SERIES)

EDA P/N	B58AE361	B58AE362
POSITION NO.	50S	68S



COVER-3 (FOR 8A SERIES)

EDA P/N	B408A312	B408A313
POSITION NO.	50S	68S



ORDERING INFORMATION

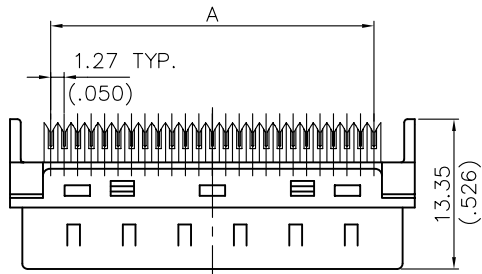
BAE 0** S - 3 * * * - **
(1) (2) (3) (4) (5) (6) (7) (8)

- SERIES NUMBER :
8AE : HIGH DENSITY 1.27(.050") SPACING MINI CONNECTOR DISCRETE I.D.C TYPE
(FOR 30 AWG WIRE OR WIRE DIAMETER 0.45--0.60mm)
- NO OF CONTACTS :
EX 050 : 50 POSITIONS
- CONTACT TYPE :
S : SOCKET
- COLOR (INSULATOR)
3 : BLACK
- CONTACT FINISH :
0 : SELECTED GOLD FLASH OVER 30μ" NICKEL
2 : 15μ" SELECTED GOLD OVER 50μ" NICKEL
3 : 30μ" SELECTED GOLD OVER 50μ" NICKEL
C : 5μ" GOLD OVER 50μ" NICKEL
- METAL SHELL FINISH :
4 : TIN PLATED SHELL, WITHOUT GROUNDING INDENTS
5 : NICKEL PLATED SHELL, WITHOUT GROUNDING INDENTS
- ACCESSORY TYPE :
7 : WITH 4#-40UNC MOUNTING HOLE BRACKET
8 : WITH M2.6*0.45 MOUNTING HOLE BRACKET
A : WITH 2#-56UNC MOUNTING HOLE BRACKET
- SUFFIX NO :
10 : WITH "EDAINC" LOGO.
NONE : WITHOUT LOGO.

57.91 (2.280)	53.72 (2.115)	49.63 (1.954)	47.63 (1.875)	63.88 (2.515)	46.13 (1.816)	41.91 (1.650)	68	8AE068S
46.48 (1.830)	42.29 (1.665)	38.20 (1.504)	36.20 (1.425)	52.45 (2.065)	34.70 (1.366)	30.48 (1.200)	50	8AE050S
G	F	E	D	C	B±0.25 (.010)	A±0.13 (.005)	NO.OF POSITION	PART NO.

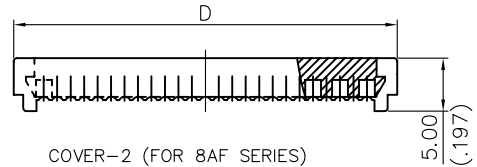
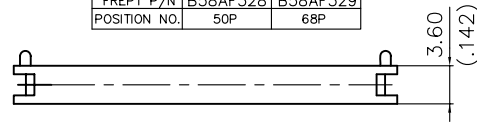
MATERIAL	TOLERANCE	UNSPECIFIED			
	.000	±			
	.00	± 0.25			
	.0	± 0.38			
FINISH	ANGLE	± 1°			
	DRAWN	MWLin _{3/27-04}			
	DESIGNER				
	CHECKED	Peterhu			
APPROVED	John	NAME	8AE 1.27(.050) SCSI-II H.D FEMALE CONNECTOR WITH BRACKET	SHEET	1 / 1
		DRAWING NO.	R-S18AE-8	REV.	1

REV.	ZONE	LTR	DESCRIPTION	DATE	REVISER	APPD
10	A6	△	MODIFY ORDERING INFORMATION	7/20-06	MWLin	



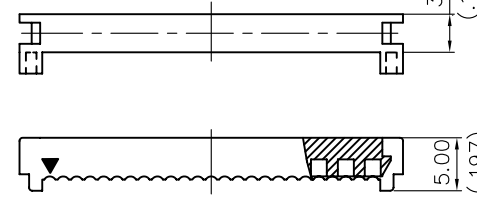
COVER-1 (FOR 8AF SERIES)

FREPT P/N	B58AF328	B58AF329
POSITION NO.	50P	68P



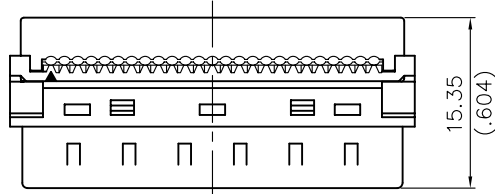
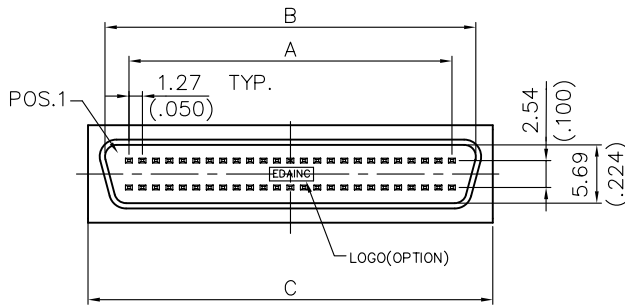
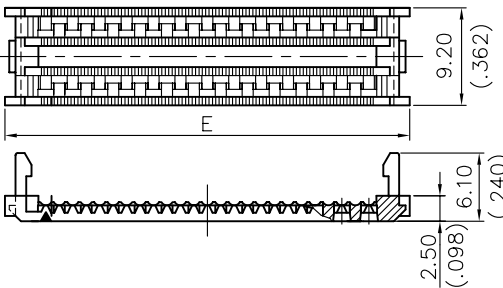
COVER-2 (FOR 8AF SERIES)

FREPT P/N	B58AF311	B58AF313
POSITION NO.	50P	68P



COVER-3 (FOR 8A SERIES)

FREPT P/N	B408A311	B408A313
POSITION NO.	50P	68P



AFTER TERMINATION VIEW

SPECIFICATION

- INSULATOR MATERIAL : PBT WITH GLASS-FIBER REINFORCED UL 94V-0
- CONTACT MATERIAL : PHOSPHOR BRONZE , GOLD OVER NICKEL
- RATED CURRENT : 1A
- INSULATION RESISTANCE : 500MΩ MIN.
- CONTACT RESISTANCE : 35mΩ Max
- DIELECTRIC WITHSTANDING VOLTAGE : 250 VAC FOR 1 MINUTE.
- OPERATING TEMPERATURE : -25°C ~ +85°C.
- FLAT CABLE : AWG 28 OR 30 PITCH 1.27mm.

△ ORDERING INFORMATION

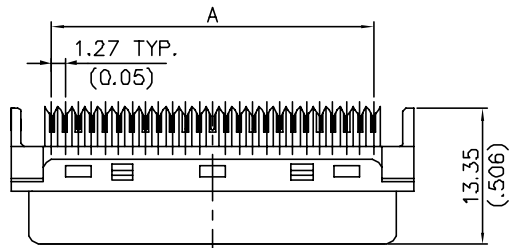
8AF 0** P - 3 * * 0 - **
 (1) (2) (3) (4) (5) (6) (7) (8)

- SERIES NUMBER :
8AF : HIGH DENSITY 1.27(.050") SPACING MINI CONNECTOR FLAT CABLE I.D.C TYPE
- NO OF CONTACTS :
EX 050 : 50 POSITIONS (50 , 68)
- CONTACT TYPE :
P : PLUG(MALE)
- COLOR (INSULATOR)
3 : BLACK
- CONTACT FINISH :
0 : SELECTED GOLD FLASH OVER 30μ" NICKEL
2 : 15μ" SELECTED GOLD OVER 50μ" NICKEL
3 : 30μ" SELECTED GOLD OVER 50μ" NICKEL
C : 5μ" SELECTED GOLD OVER 50μ" NICKEL
- METAL SHELL FINISH :
1 : TIN PLATED SHELL, WITH GROUNDING INDENTS TWO HOLE(MOLDING TYPE)
6 : NICKEL PLATED SHELL, WITH GROUNDING INDENTS FIVE HOLE(ASSEMBLAGE TYPE)
B : NICKEL PLATED SHELL, WITH GROUNDING INDENTS TWO HOLE(MOLDING TYPE)
- ACCESSORY TYPE CODE:
0 : W/O ACCESSORY
- SUFPIX NO :
10 : WITH "EDAINC" LOGO.
NONE : WITHOUT LOGO.

49.63 (1.954)	47.63 (1.875)	49.63 (1.954)	46.28 (1.822)	41.91 (1.650)	68	8AF068P
38.20 (1.504)	36.20 (1.425)	38.20 (1.504)	34.85 (1.372)	30.48 (1.200)	50	8AF050P
E	D	C±0.38 (.015)	B±0.25 (.010)	A±0.13 (.005)	NO.OF POSITION	PART NO.

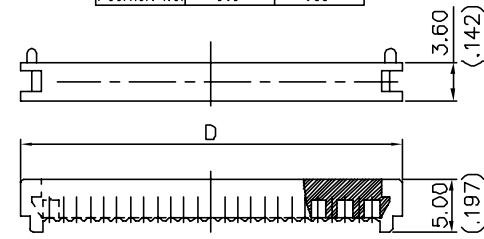
MATERIAL	TOLERANCE UNSPECIFIED .000 ± .00 ±0.25 .0 ±0.38 ± ANGLE ±1°		SCALE	UNIT
FINISH	DRAWN MWLin 10/31-02		1:1	mm(inch)
	DESIGNER MWLin		NAME 8AF 1.27(.050)	
	CHECKED Peterhu		SCSI-II H.D MALE CONNECTOR W/O ACCESSORY	
	APPROVED John	DRAWING NO.	R-S18AF-0	SHEET 1/1
				REV. 10

REV.	ZONE	LTR	DESCRIPTION	DATE	REVISER	APPD
9	A6	△	MODIFY ORDERING INFORMATION	7/20-06	MWLin	



COVER-1 (FOR 8AF SERIES)

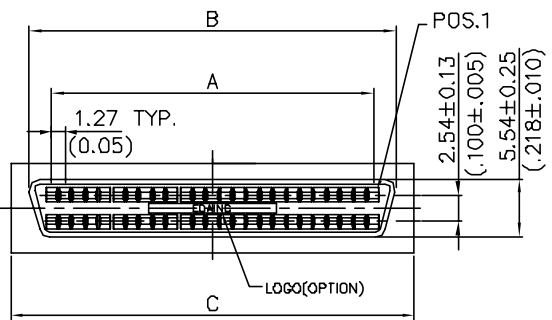
FREPRT P/N	B58AF328	B58AF329
POSITION NO.	50S	68S



△ ORDERING INFORMATION

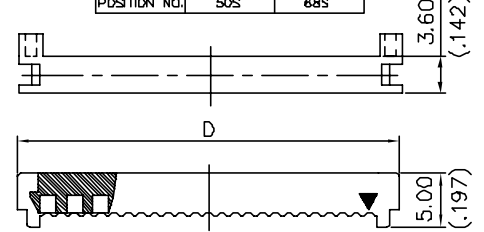
8AF 0** S - 3 * * 0 - **
 (1) (2) (3) (4) (5) (6) (7) (8)

- SERIES NUMBER :
8AF : HIGH DENSITY 1.27(.050") SPACING MINI CONNECTOR FLAT CABLE I.D.C TYPE
- NO OF CONTACTS :
EX 050 : 50 POSITIONS
(50 , 68)
- CONTACT TYPE :
S : SOCKET(FEMALE)
- COLOR (INSULATOR)
3 : BLACK
- CONTACT FINISH :
0 : SELECTIVED GOLD FLASH OVER 30μ" NICKEL
2 : 15μ" SELECTIVED GOLD OVER 50μ" NICKEL
3 : 30μ" SELECTIVED GOLD OVER 50μ" NICKEL
C : 5μ" SELECTIVED GOLD OVER 50μ" NICKEL
- METAL SHELL FINISH :
4 : TIN PLATED SHELL, WITHOUT GROUNDING INDENTS TWO HOLE(MOLDING TYPE)
5 : NICKEL PLATED SHELL, WITHOUT GROUNDING INDENTS FIVE HOLE(ASSEMBLAGE TYPE)
C : NICKEL PLATED SHELL, WITHOUT GROUNDING INDENTS TWO HOLE(MOLDING TYPE)
- ACCESSORY TYPE CODE:
0 : W/O ACCESSORY
- SUFFIX NO :
10 : WITH "EDAINC" LOGO.
NONE : WITHOUT LOGO.



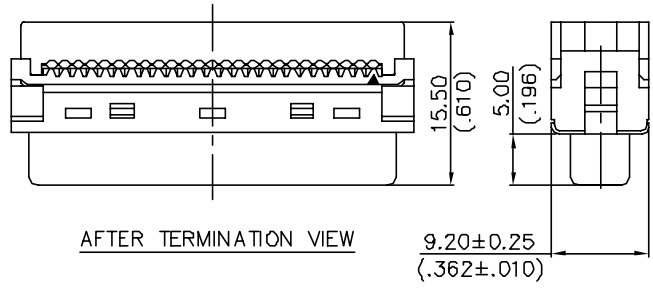
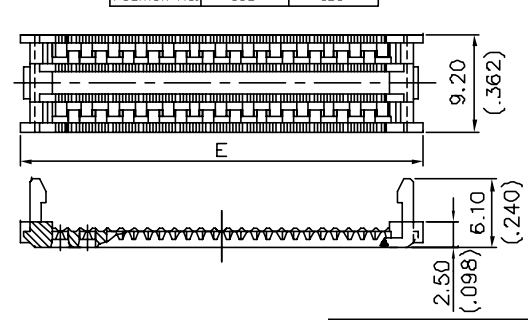
COVER-2 (FOR 8AF SERIES)

FREPRT P/N	B58AF312	B58AF314
POSITION NO.	50S	68S



COVER-3 (FOR 8A SERIES)

FREPRT P/N	B408A312	B408A313
POSITION NO.	50S	68S



RoHS Compliant

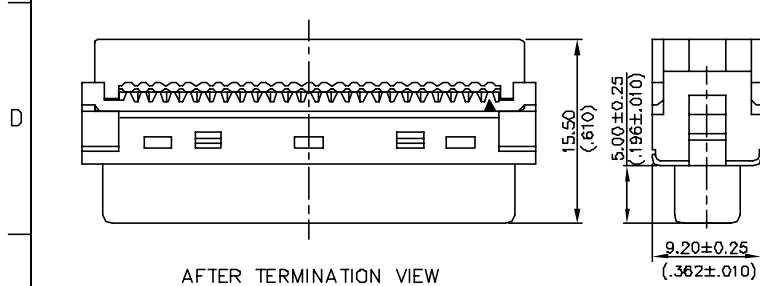
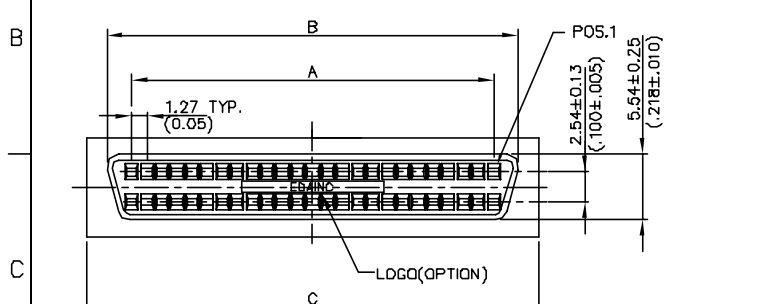
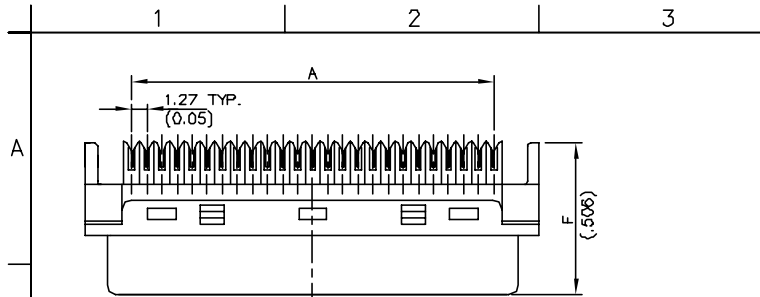
SPECIFICATION

- INSULATOR MATERIAL : PBT WITH GLASS-FIBER REINFORCED UL 94V-0
- CONTACT MATERIAL : PHOSPHOR BRONZE , GOLD OVER NICKEL
- RATED CURRENT : 1A
- INSULATION RESISTANCE : 500MΩ MIN.
- CONTACT RESISTANCE : 35mΩ Max
- DIELECTRIC WITHSTANDING VOLTAGE : 250 VAC FOR 1 MINUTE.
- OPERATING TEMPERATURE : -25°C ~ +85°C.
- FLAT CABLE : AWG 28 OR 30 PITCH 1.27mm.

49.63 (1.954)	47.63 (1.875)	49.63 (1.954)	46.13 (1.816)	41.91 (1.650)	68	BAF068S
38.20 (1.504)	36.20 (1.425)	38.20 (1.504)	34.70 (1.366)	30.48 (1.200)	50	8AF050S
E	D	C±0.38 (.015)	B±0.25 (.010)	A±0.13 (.005)	NO.OF POSITION	PART NO.

MATERIAL	TOLERANCE UNSPECIFIED .000 ± .00 ± 0.25 .0 ± 0.38 ANGLE ± 1°	<p>FREEPORT</p>	
FINISH	DRAWN MWLin 10/31-02		SCALE 1:1 UNIT mm(inch)
	DESIGNER MWLin		NAME 8AF 1.27(.050)
	CHECKED Peterhu		SCSI-II H.D FEMALE CONNECTOR W/O ACCESSORY
	APPROVED John	DRAWING NO. R-S18AF-1	SHEET 1/1

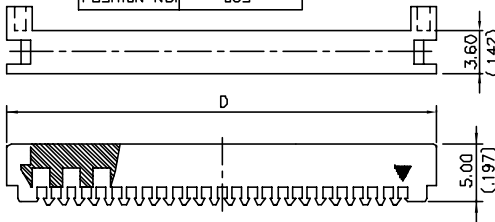
REV.	ZONE	LTR	DESCRIPTION	DATE	REVISER	APPD
------	------	-----	-------------	------	---------	------



AFTER TERMINATION VIEW

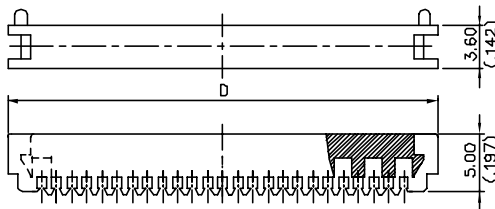
COVER-1 (FOR 8AG SERIES)

FREPRT P/N	B58AG312-1
POSITION NO.	50S



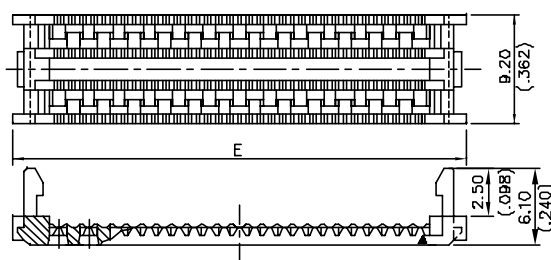
COVER-2 (FOR 8AG SERIES)

FREPRT P/N	B58AG32B-1
POSITION NO.	50S



COVER-3 (FOR 8AG SERIES)

FREPRT P/N	B408A312
POSITION NO.	50S



ORDERING INFORMATION

8AG 050 S - 3 * * 0 - **
 (1) (2) (3) (4) (5) (6) (7) (8)

- SERIES NUMBER :
8AG : HIGH DENSITY 1.27(.050") SPACING MINI CONNECTOR FLAT CABLE DISCRETE I.D.C TYPE
- NO OF CONTACTS :
EX 050 : 50 POSITIONS
- CONTACT TYPE :
S : SOCKET(FEMALE)
- COLOR (INSULATOR)
3 : BLACK
- CONTACT FINISH :
0 : SELECTED GOLD FLASH OVER 30μ" NICKEL
2 : 15μ" SELECTED GOLD OVER 50μ" NICKEL
3 : 30μ" SELECTED GOLD OVER 50μ" NICKEL
C : 5μ" SELECTED GOLD OVER 50μ" NICKEL
- METAL SHELL FINISH :
4 : TIN PLATED SHELL, WITHOUT GROUNDING INDENTS TWO HOLE(MOLDING TYPE)
5 : NICKEL PLATED SHELL, WITHOUT GROUNDING INDENTS FIVE HOLE(ASSEMBLAGE TYPE)
C : NICKEL PLATED SHELL, WITHOUT GROUNDING INDENTS TWO HOLE(MOLDING TYPE)
- ACCESSORY TYPE CODE:
0 : W/O ACCESSORY
- SUFFIX NO :
10 : WITH "EDAINC" LOGO.
NONE : WITHOUT LOGO.

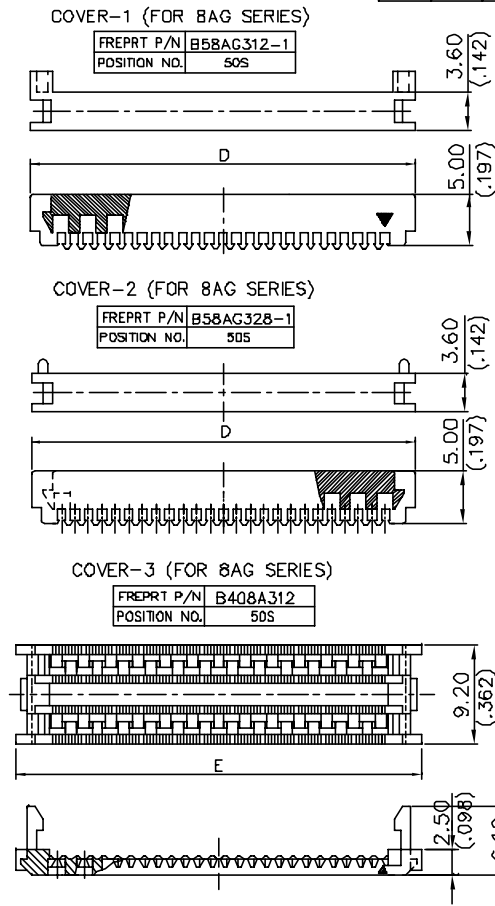
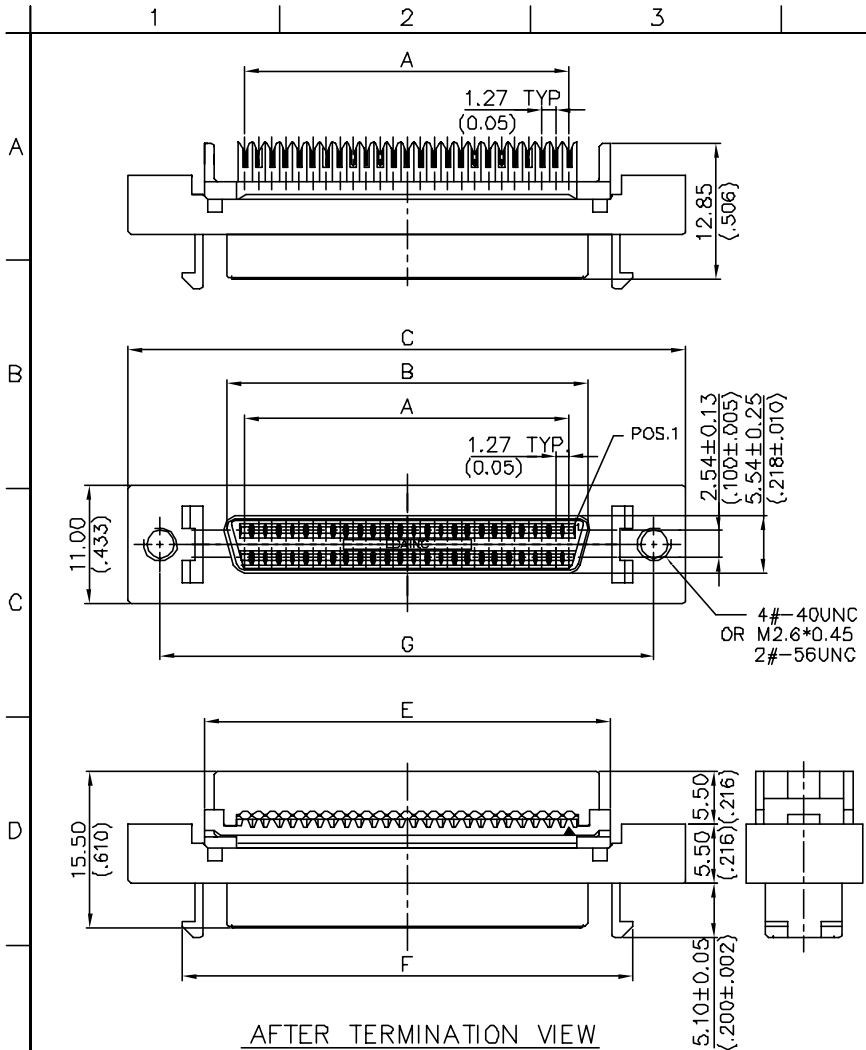


SPECIFICATION

- INSULATOR MATERIAL : PBT WITH GLASS-FIBER REINFORCED UL 94V-0
- CONTACT MATERIAL : PHOSPHOR BRONZE , GOLD OVER NICKEL
- RATED CURRENT : 1A
- INSULATION RESISTANCE : 500MΩ MIN.
- CONTACT RESISTANCE : 35mΩ Max
- DIELECTRIC WITHSTANDING VOLTAGE : 250 VAC FOR 1 MINUTE.
- OPERATING TEMPERATURE : -25°C ~ +85°C.
- FLAT CABLE : AWG 28 OR 30 PITCH 1.27mm

13.35 (0.525)	38.20 (1.504)	36.20 (1.425)	38.20 (1.504)	34.70 (1.366)	30.48 (1.200)	50	8AG050S
F±0.10	E	D	C±0.38 (.015)	B±0.25 (.010)	A±0.13 (.005)	NO.OF POSITION	PART NO.
MATERIAL	TOLERANCE UNSPECIFIED .000 ± .00 ± 0.25 .0 ± 0.38 . ANGLE ± 1°						
FINISH	DRAWN MWLin _{3/26-04}	DESIGNER MWLin	CHECKED Peterhu	APPROVED John	NAME 8AG 1.27(.050)	SCSI-II H.D FEMALE CONNECTOR W/O ACCESSORY	
					SCALE 1 : 1	UNIT mm(inch)	SHEET 1/1
					DRAWING NO. R-S18AG-3	REV. 1	

REV.	ZONE	LTR	DESCRIPTION	DATE	REVISOR	APPD
2	A6	△	MODIFY ORDERING INFORMATION	7/20-06	MWLin	



- △ ORDERING INFORMATION
- 8AG 050 S - 3 * * * - **
 (1) (2) (3) (4) (5) (6) (7) (8)
- SERIES NUMBER :
8AG : HIGH DENSITY 1.27(.050") SPACING MINI CONNECTOR FLAT CABLE DISCRETE I.D.C TYPE
 - NO OF CONTACTS :
EX 050 : 50 POSITIONS
 - CONTACT TYPE :
S : SOCKET(FEMALE)
 - COLOR (INSULATOR)
3 : BLACK
 - CONTACT FINISH :
0 : SELECTED GOLD FLASH OVER 30μ" NICKEL
2 : 15μ" SELECTED GOLD OVER 50μ" NICKEL
3 : 30μ" SELECTED GOLD OVER 50μ" NICKEL
C : 5μ" GOLD OVER 50μ" NICKEL
 - METAL SHELL FINISH :
4 : TIN PLATED SHELL, WITHOUT GROUNDING INDENTS
5 : NICKEL PLATED SHELL, WITHOUT GROUNDING INDENTS
 - ACCESSORY TYPE :
7 : WITH 4#-40UNC MOUNTING HOLE BRACKET
8 : WITH M2.6*0.45 MOUNTING HOLE BRACKET
A : WITH 2#-56UNC MOUNTING HOLE BRACKET
 - SUFPIX NO :
10 : WITH "EDAINC" LOGO.
NONE : WITHOUT LOGO.

RoHS Compliant

- SPECIFICATION
- INSULATOR MATERIAL : PBT WITH GLASS-FIBER REINFORCED UL 94V-0
 - CONTACT MATERIAL : PHOSPHOR BRONZE , GOLD OVER NICKEL
 - BRACKET MATERIAL : ZINC-ALLOY , NICKEL PLATING
 - RATED CURRENT : 1A
 - INSULATION RESISTANCE : 500MΩ MIN.
 - CONTACT RESISTANCE : 35mΩ MAX.
 - DIELECTRIC WITHSTANDING VOLTAGE : 250 VAC FOR 1 MINUTE.
 - OPERATING TEMPERATURE : -25°C - +85°C.
 - FLAT CABLE : AWG 28 OR 30 PITCH 1.27mm

	G	F	E	D	C	B±0.25 (.010)	A±0.13 (.005)	NO.OF POSITION	PART NO.													
	46.48 (1.830)	42.29 (1.665)	38.20 (1.504)	36.20 (1.425)	52.45 (2.065)	34.70 (1.366)	30.48 (1.200)	50	8AG050S													
MATERIAL	/		TOLERANCE UNSPECIFIED		<table border="1"> <tr> <td>.0 D 0</td> <td>±</td> </tr> <tr> <td>.0 D</td> <td>± 0.25</td> </tr> <tr> <td>.0</td> <td>± 0.38</td> </tr> <tr> <td>.</td> <td>±</td> </tr> <tr> <td>ANGLE</td> <td>± 1°</td> </tr> </table>					.0 D 0	±	.0 D	± 0.25	.0	± 0.38	.	±	ANGLE	± 1°			
.0 D 0	±																					
.0 D	± 0.25																					
.0	± 0.38																					
.	±																					
ANGLE	± 1°																					
FINISH	/		DRAWN MWLin _{3/27-04}		<table border="1"> <tr> <td>NAME</td> <td colspan="2">8AG 1.27(.050)</td> <td rowspan="2">SHEET 1/1</td> </tr> <tr> <td>DESIGNER</td> <td colspan="2">SCSI-II H.D FEMALE CONNECTOR MOUNTING HOLE BRACKET</td> </tr> <tr> <td>CHECKED</td> <td colspan="2">Peterhu</td> <td rowspan="2">REV. 1</td> </tr> <tr> <td>APPROVED</td> <td colspan="2">John</td> </tr> </table>				NAME	8AG 1.27(.050)		SHEET 1/1	DESIGNER	SCSI-II H.D FEMALE CONNECTOR MOUNTING HOLE BRACKET		CHECKED	Peterhu		REV. 1	APPROVED	John	
NAME	8AG 1.27(.050)		SHEET 1/1																			
DESIGNER	SCSI-II H.D FEMALE CONNECTOR MOUNTING HOLE BRACKET																					
CHECKED	Peterhu		REV. 1																			
APPROVED	John																					
				DRAWING NO.		R-S18AG-4		A3 RS18AG41														