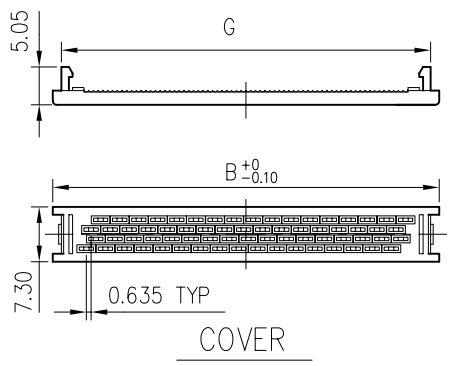
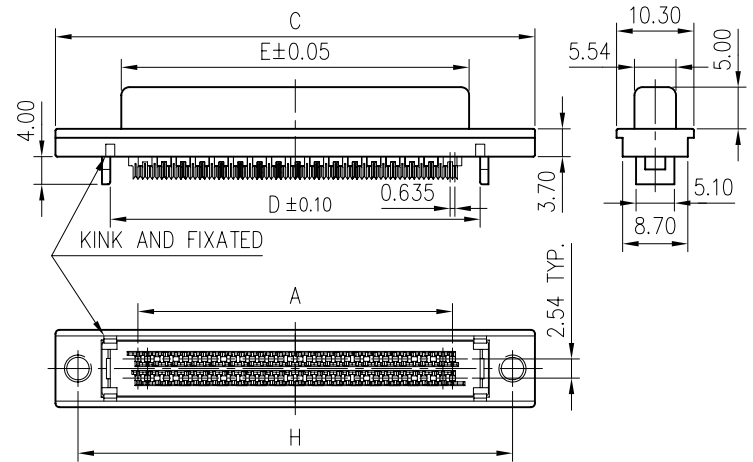
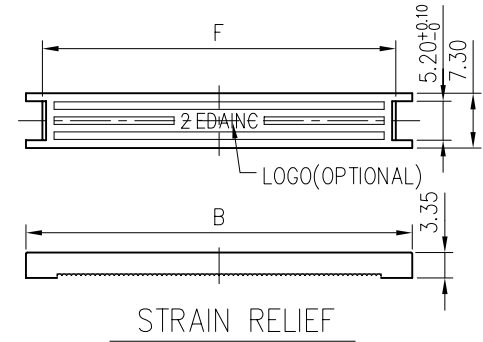
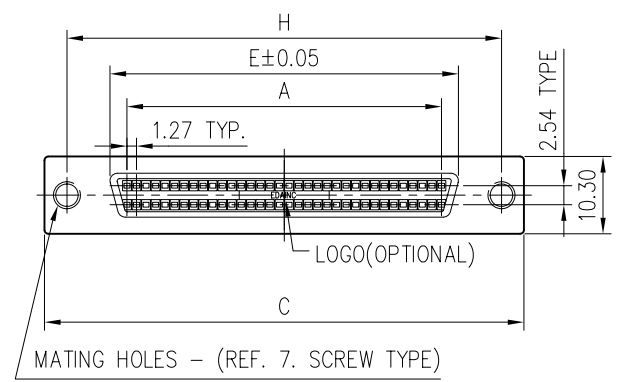


REV	ZONE	LTR	DESCRIPTION	DATE	REVISER	APPD
8	A6		renew drawing	8/12-06	MWL	in

ORDERING INFORMATION

8E 050 S - 3 2 5 1 3 - (10)  
 (1) (2) (3) (4) (5) (6) (7) (8) (9)

- SERIES NUMBER :  
 8E : HIGH DENSITY 1.27(.050") SPACING MINI CONNECTOR  
 FLAT CABLE I.D.C TYPE 0.635(0.025")  
 (FOR 30 AWG WIRE OR WIRE DIAMETER  
 0.45 - 0.60 mm )
- NO OF CONTACTS :  
 EX 050 : 50 POSITIONS
- CONTACT TYPE :  
 S : SOCKET
- COLOR (INSULATOR)  
 3 : BLACK
- CONTACT FINISH :  
 0 : SELECTED GOLD FLASH OVER 30μ" NICKEL  
 2 : 15μ" SELECTED GOLD OVER 50μ" NICKEL  
 3 : 30μ" SELECTED GOLD OVER 50μ" NICKEL
- METAL SHELL FINISH :  
 4 : TIN PLATED SHELL, W/O GROUNDING INDENTS  
 5 : NICKEL PLATED SHELL, W/O GROUNDING INDENTS
- SCREW TYPE :  
 1 : 4-40 UNC, 2 : 2-56 UNC, 3 : M2.6\*0.45
- BLACKET TYPE  
 3 : WITHOUT RAILS & LATCH BLOCKS
- SUFFIX NO.  
 10 : WITH "EDAINC" LOGO  
 NONE : WITHOUT LOGO



HOUSING & CONTACT ASSEMBLY

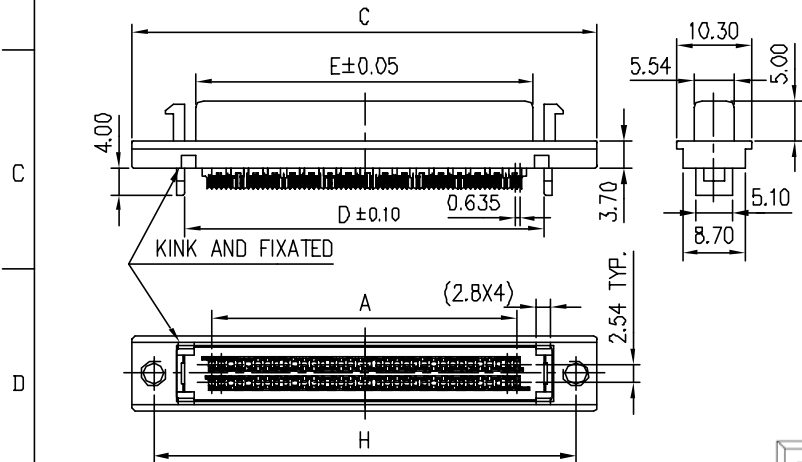
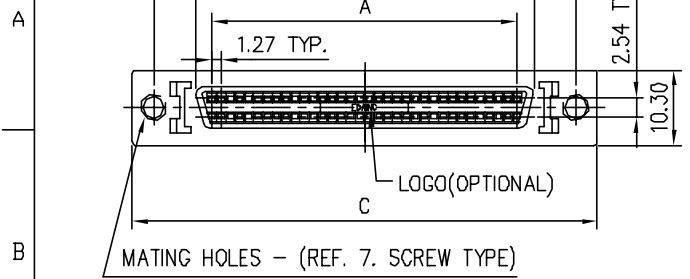
**RoHS Compliant**

SPECIFICATION -

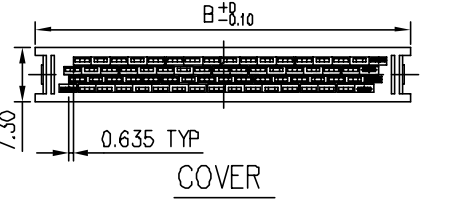
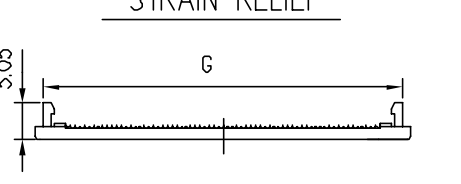
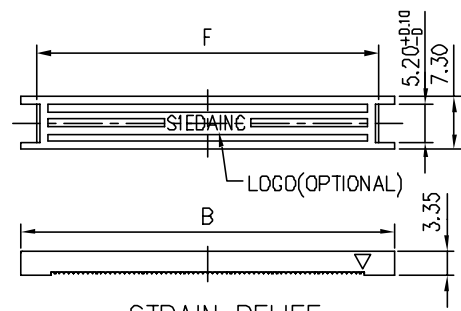
- INSULATOR MATERIAL : PBT WITH GLASS-FIBER REINFORCED UL 94V-0
- CONTACT MATERIAL : PHOSPHOR BRONZE , GOLD OVER NICKEL
- RATED CURRENT : 1A
- INSULATION RESISTANCE : 500MΩ MIN.
- CONTACT RESISTANCE : 35mΩ MAX.
- DIELECTRIC WITHSTANDING VOLTAGE : AC 250V FOR 1 MINUTE.
- OPERATING TEMPERATURE : -25°C - +85°C.

46.48 (1.830)	37.77 (1.487)	35.67 (1.404)	34.70 (1.366)	37.87 (1.491)	52.45 (2.065)	40.07 (1.578)	30.48 (1.200)	50	8E050S
H	G	F	E	D	C	B	A	NO.OF POSITION	PART NO.
MATERIAL				TOLERANCE UNSPECIFIED					
				± 0.25		SCALE		UNIT	
				± 1°		FREE		MM	
FINISH				DRAWN 曹長成 07/04'94		NAME			SHEET
				DESIGNER		8E SERIES SCSI-III H.D. RECEPTACLE ASSEMBLY			1/
				CHECKED Peterhu		IDC TYPE 0.635(.025")			1
				APPROVED JOHN		DRAWING NO. R-S108E-1			REV 8

REV.	ZONE	LTR	DESCRIPTION	DATE	REVISER	APPD



HOUSING & CONTACT ASSEMBLY



COVER

**RoHS Compliant**

ORDERING INFORMATION

8E 050 S - 3 2 5 1 1 - (10)  
 (1) (2) (3) (4) (5) (6) (7) (8) (9)

- SERIES NUMBER :  
 8E : HIGH DENSITY 1.27(.050") SPACING MINI CONNECTOR  
 FLAT CABLE I.D.C TYPE 0.635(0.025")  
 (FOR 30 AWG WIRE OR WIRE DIAMETER  
 0.45 - 0.60 mm )
- NO OF CONTACTS :  
 EX 050 : 50 POSITIONS
- CONTACT TYPE :  
 S : SOCKET
- COLOR (INSULATOR)  
 3 : BLACK
- CONTACT FINISH :  
 0 : SELECTED GOLD FLASH OVER 30μ" NICKEL  
 2 : 15μ" SELECTIVE GOLD OVER 50 μ" NICKEL  
 3 : 30μ" SELECTIVE GOLD OVER 50 μ" NICKEL
- METAL SHELL FINISH :  
 4 : TIN PLATED SHELL, W/O GROUNDING INDENTS  
 5 : NICKEL PLATED SHELL, W/O GROUNDING INDENTS
- SCREW TYPE :  
 1 : 4-40 UNC, 2 : 2-56 UNC, 3 : M2.6\*0.45
- BLACKET TYPE  
 1 : WITHOUT RAILS, WITH LATCH BLOCKS
- SUFFIX NO.  
 10 : WITH "EDAINC" LOGO  
 NONE : WITHOUT LOGO

SPECIFICATION -

- INSULATOR MATERIAL : PBT WITH GLASS-FIBER REINFORCED  
 UL 94V-0
- CONTACT MATERIAL : PHOSPHOR BRONZE , GOLD OVER NICKEL
- RATED CURRENT : 1A
- INSULATION RESISTANCE : 500MΩ MIN.
- CONTACT RESISTANCE : 35mΩ MAX.
- DIELECTRIC WITHSTANDING VOLTAGE : AC 250V FOR 1 MINUTE.
- OPERATING TEMPERATURE : -25°C - +85°C.
- THE HOUSING & BRACKET RETENTION-FORCE SPEC. : 20.0kgf min.

57.91 (2.280)	37.77 (1.487)	35.67 (1.404)	34.70 (1.366)	37.78 (1.491)	52.45 (2.065)	40.07 (1.578)	30.48 (1.200)	50	8E050S
H	G	F	E	D	C	B	A	NO.OF POSITION	PART NO.
									PART NO.

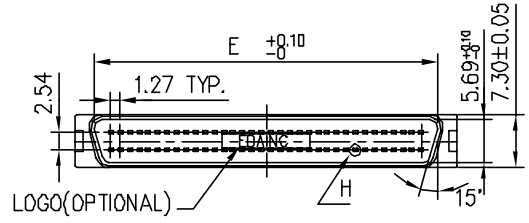
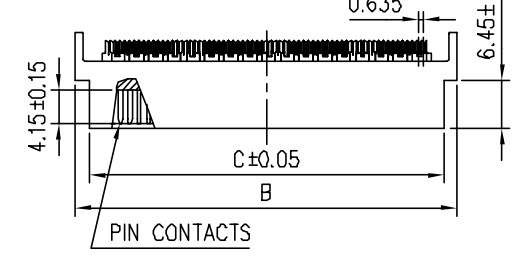
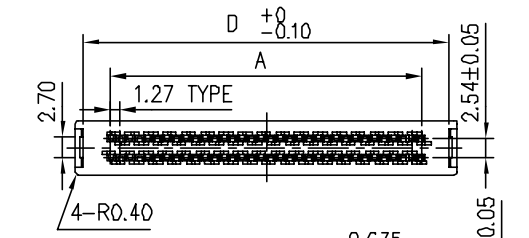
MATERIAL	TOLERANCE UNSPECIFIED .000 ± .00 ±0.25 .0 ±0.38 ± ANGLE ± 1°		SCALE	UNIT
FINISH	DRAWN TONY 2/24'00 DESIGNER CHECKED 胡森華 APPROVED JOHN		1.4 : 1	MM
		NAME	8E SERIES SCSI-III H.D. RECEPTACLE ASSEMBLY IDC TYPE 0.635(.025")	
		DRAWING NO.	R-S108E-3	
				SHEET 1 / 1
				REV. 1

REV.	ZONE	LTR	DESCRIPTION	DATE	REVISER	APPD
2	ZONE	△	RENEW DRAWING	8/12-06	MWLIn	

△ ORDERING INFORMATION

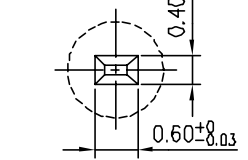
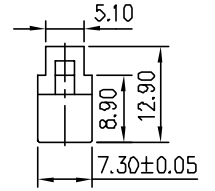
8E 050 P - 3 0 0 0 0 - (10)  
 (1) (2) (3) (4) (5) (6) (7) (8) (9)

- SERIES NUMBER :  
 8E : HIGH DENSITY 1.27(.050") SPACING MINI CONNECTOR  
 FLAT CABLE I.D.C TYPE 0.635(0.025")  
 (FOR 30 AWG WIRE OR WIRE DIAMETER  
 0.45 - 0.60 mm )
- NO OF CONTACTS :  
 EX 050 : 50 POSITIONS  
 EX 068 : 68 POSITIONS
- CONTACT TYPE :  
 P : PLUG
- COLOR (INSULATOR)  
 3 : BLACK
- CONTACT FINISH :  
 0 : SELECTIVE GOLD FLASH OVER 30μ" NICKEL  
 2 : 15μ" SELECTIVE GOLD OVER 50μ" NICKEL  
 3 : 30μ" SELECTIVE GOLD OVER 50μ" NICKEL
- METAL SHELL FINISH :  
 0 : ALL PLASTIC
- SCREW TYPE :  
 0 : NONE,
- BRACKET TYPE  
 0 : NONE
- SUFFIX NO.  
 10 : WITH "EDAINC" LOGO  
 NONE : WITHOUT LOGO

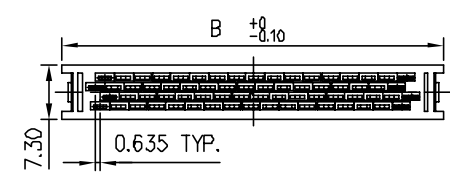
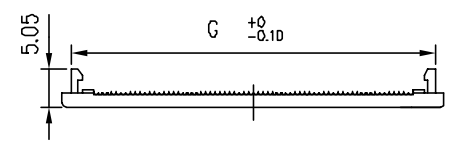
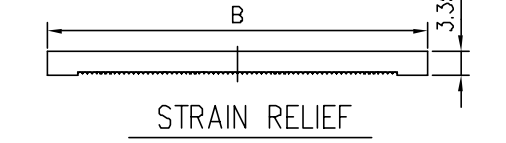
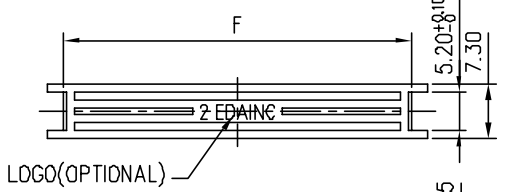


HOUSING & CONTACT ASSEMBLY

**RoHS Compliant**



H DETAIL : 10 / 1



COVER

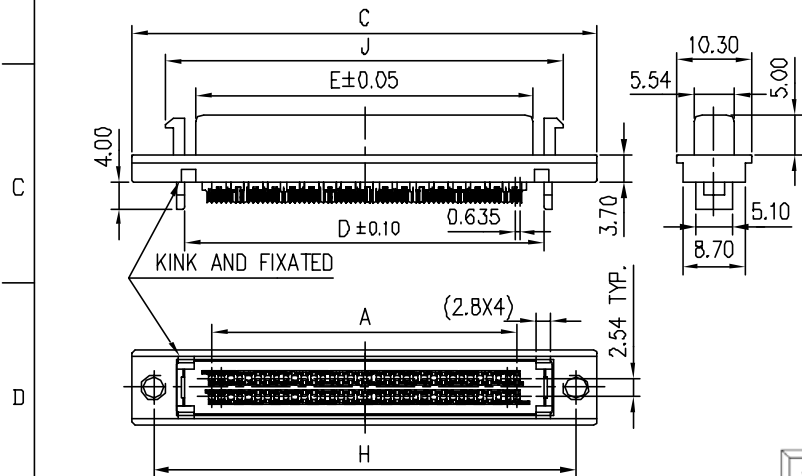
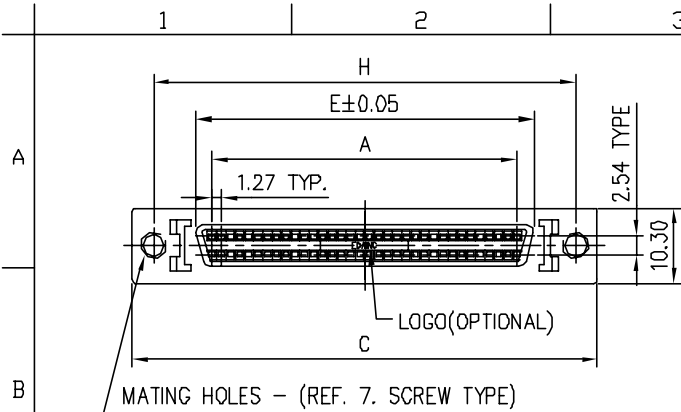
SPECIFICATION -

- INSULATOR MATERIAL : PBT WITH GLASS-FIBER REINFORCED  
UL 94V-0
- CONTACT MATERIAL : PHOSPHOR BRONZE , GOLD OVER NICKEL
- RATED CURRENT : 1A
- INSULATION RESISTANCE : 500MΩ MIN. AT 500V DC.
- CONTACT RESISTANCE : 35mΩ MAX.
- DIELECTRIC WITHSTANDING VOLTAGE : AC 250V FOR 1 MINUTE.
- OPERATING TEMPERATURE : -25°C - +85°C.

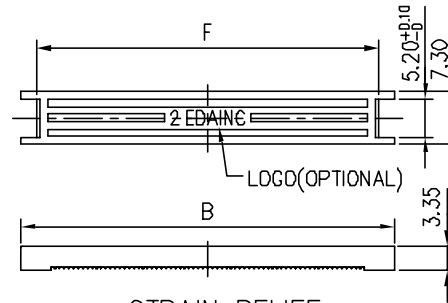
49.20 (1.937)	47.10 (1.854)	46.28 (1.822)	49.30 (1.941)	47.65 (1.876)	51.50 (2.028)	41.91 (1.650)	68	8E068P
37.77 (1.487)	35.67 (1.404)	34.85 (1.372)	37.87 (1.491)	36.22 (1.426)	40.07 (1.578)	30.48 (1.200)	50	8E050P
G	F	E	D	C	B	A	NO.OF	PART NO.

MATERIAL		TOLERANCE UNSPECIFIED			
		.000 ±		SCALE	
		.00 ±0.25		UNIT	
		.0 ±0.38		FREE MM	
FINISH		ANGLE		DRAWN	
		± 1°		DESIGNER	
		DRAWN 黃東和 11/11'99		NAME	
		CHECKED Peterhu		8E SERIES 50PIN SCSI-III H.D. UNSHIELDED PLUG ASSEMBLY IDC TYPE 0.635(.025")	
APPROVED JOHN		DRAWING NO		R-S108E-4	
				SHEET 1 / 1	
				REV. 2	

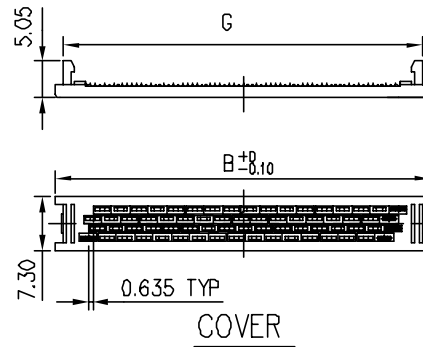
REV.	ZONE	LTR	DESCRIPTION	DATE	REVISER	APPD
4	A6	△	RENEW DRAWING	8/14-08	MWL	in



HOUSING & CONTACT ASSEMBLY



STRAIN RELIEF



**RoHS Compliant**

△ ORDERING INFORMATION

8E 068 S - 3 2 5 1 1 - (10)  
 (1) (2) (3) (4) (5) (6) (7) (8) (9)

1. SERIES NUMBER :

8E : HIGH DENSITY 1.27(.050") SPACING MINI CONNECTOR  
 FLAT CABLE I.D.C TYPE 0.635(0.025")  
 (FOR 30 AWG WIRE OR WIRE DIAMETER  
 0.45 - 0.60 mm )

2. NO OF CONTACTS :

EX 068 : 68 POSITIONS

3. CONTACT TYPE :

S : SOCKET

4. COLOR (INSULATOR)

3 : BLACK

5. CONTACT FINISH :

0 : SELECTED GOLD FLASH OVER 30μ" NICKEL  
 2 : 15μ" SELECTIVE GOLD OVER 50 μ" NICKEL  
 3 : 30μ" SELECTIVE GOLD OVER 50 μ" NICKEL

6. METAL SHELL FINISH :

4 : TIN PLATED SHELL, W/O GROUNDING INDENTS  
 5 : NICKEL PLATED SHELL, W/O GROUNDING INDENTS

7. SCREW TYPE :

1 : 4-40 UNC, 2 : 2-56 UNC, 3 : M2.6\*0.45

8. BLACKET TYPE

1 : WITHOUT RAILS, WITH LATCH BLOCKS

9. SUFFIX NO.

10 : WITH "EDAINC" LOGO  
 NONE : WITHOUT LOGO

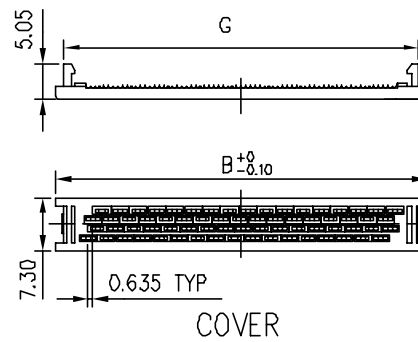
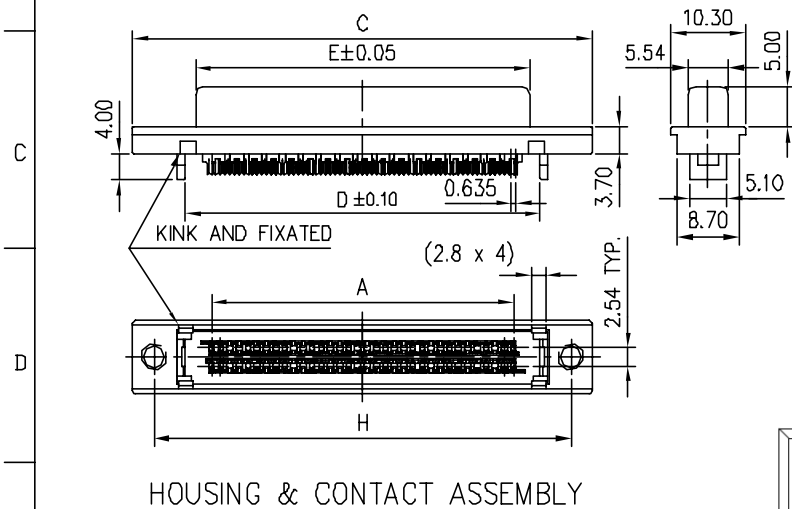
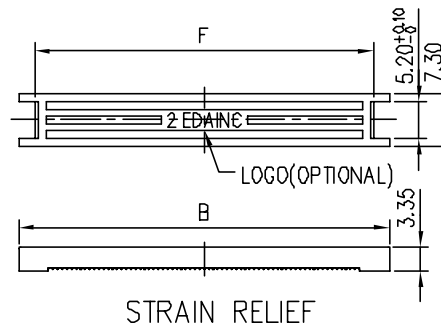
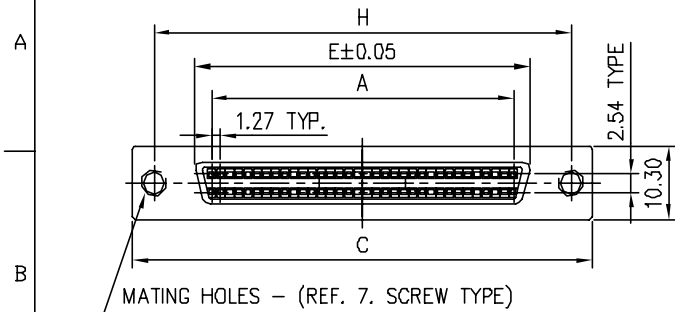
SPECIFICATION -

- INSULATOR MATERIAL : PBT WITH GLASS-FIBER REINFORCED UL 94V-0
- CONTACT MATERIAL : PHOSPHOR BRONZE , GOLD OVER NICKEL
- RATED CURRENT : 1A
- INSULATION RESISTANCE : 500MΩ MIN.
- CONTACT RESISTANCE : 35mΩ MAX.
- DIELECTRIC WITHSTANDING VOLTAGE : AC 250V FOR 1 MINUTE.
- OPERATING TEMPERATURE : -25°C - +85°C.
- THE HOUSING & BRACKET RETENTION-FORCE SPEC. : 20.0kgf min.

53.72 (2.114)	57.91 (2.280)	49.20 (1.937)	47.10 (1.854)	46.13 (1.816)	49.30 (1.941)	64.05 (2.521)	51.50 (2.028)	41.91 (1.650)	68	8E068S
J	H	G	F	E	D	C	B	A	NO.OF POSITION	PART NO.

MATERIAL		TOLERANCE UNSPECIFIED			
		.000 ± .00 ±0.25 .0 ±0.38 ± ANGLE ± 1°		SCALE 1.4 : 1 UNIT MM	
FINISH		DRAWN TONY 2/24'00		NAME 8E SERIES SCSI-III H.D. RECEPTACLE ASSEMBLY IDC TYPE 0.635(.025")	
		DESIGNER		SHEET 1	
		CHECKED 胡森華		DRAWING NO. R-S108E-6	
		APPROVED JOHN		REV. 4	

REV	ZONE	LTR	DESCRIPTION	DATE	REVISER	APPD
-----	------	-----	-------------	------	---------	------



ORDERING INFORMATION

8E 068 S - 3 2 5 1 3 - (10)  
 (1) (2) (3) (4) (5) (6) (7) (8) (9)

- SERIES NUMBER :  
 BE : HIGH DENSITY 1.27(.050") SPACING MINI CONNECTOR  
 FLAT CABLE I.D.C TYPE 0.635(0.025")  
 (FOR 30 AWG WIRE OR WIRE DIAMETER  
 0.45 - 0.60 mm )
- NO OF CONTACTS :  
 EX 068 : 68 POSITIONS
- CONTACT TYPE :  
 S : SOCKET
- COLOR (INSULATOR)  
 3 : BLACK
- CONTACT FINISH :  
 0 : SELECTED GOLD FLASH OVER 30μ" NICKEL  
 2 : 15μ" SELECTED GOLD OVER 50μ" NICKEL  
 3 : 30μ" SELECTED GOLD OVER 50μ" NICKEL
- METAL SHELL FINISH :  
 4 : TIN PLATED SHELL, WITHOUT GROUNDING INDENTS  
 5 : NICKEL PLATED SHELL, WITHOUT GROUNDING INDENTS
- SCREW TYPE :  
 1 : 4-40 UNC, 2 : 2-56 UNC, 3 : M2.6\*0.45
- BLACKET TYPE  
 3 : WITHOUT RAILS & LATCH BLOCKS
- SUFFIX NO.  
 10 : WITH "EDAINC" LOGO  
 NONE : WITHOUT LOGO

**RoHS Compliant**

SPECIFICATION -

- INSULATOR MATERIAL : PBT WITH GLASS-FIBER REINFORCED  
 UL 94V-0
- CONTACT MATERIAL : PHOSPHOR BRONZE , GOLD OVER NICKEL
- RATED CURRENT : 1A
- INSULATION RESISTANCE : 500MΩ MIN.
- CONTACT RESISTANCE : 35mΩ MAX.
- DIELECTRIC WITHSTANDING VOLTAGE : AC 250V FOR 1 MINUTE.
- OPERATING TEMPERATURE : -25°C - +85°C.

57.91 (2.280)	49.20 (1.937)	47.10 (1.854)	46.13 (1.816)	49.30 (1.941)	63.88 (2.515)	51.50 (2.028)	41.91 (1.650)	68	8E068S
H	G	F	E	D	C	B	A	NO.OF POSITION	PART NO.
MATERIAL		TOLERANCE UNSPECIFIED		<b>FREEPORT</b>		SCALE		UNIT	
FINISH		±0.25 ±0.38 ± 1°		FREE		MM		NAME 8E SERIES SCSI-III H.D. RECEPTACLE ASSEMBLY IDC TYPE 0.635(.025")	
		DRAWN 李聯勤 4/12'02		SHEET					
		DESIGNER		1/					
		CHECKED 胡森華		1					
APPROVED JOHN		DRAWING NO.		R-S108E-A		REV		1	