

ORDERING INFORMATION:

35T 080 S - 3 2 3 1 - (**)
 (1) (2) (3) (4)(5)(6)(7) (8)

- SERIES NUMBER:
35T - SCA-2 CONN.
VERTICAL, EXTENDED HEIGHT TYPE
- NUMBER OF CONTACTS:
080 - 80 POSITIONS.
- CONTACT CODES:
S - SOCKET.
- COLOR CODES:
3 - BLACK.
- CONTACT FINISH:
0 - GOLD FLASH PLATING IN CONTACT AREA.
2 - 15 u" MIN. GOLD PLATING IN CONTACT AREA.
3 - 30 u" MIN. GOLD PLATING IN CONTACT AREA.
(AND 100 u" MIN. TIN PLATING IN SOLDER TAIL
OVER 50 u" MIN. NICKEL UNDERPLATING.)
- SOLDER TAIL LENGTH:
1 - 2.79 mm.
2 - 3.18 mm.
3 - 4.06 mm.
- POLARIZATION PEG:
0 - WITHOUT.
1 - WITH.
- SUFFIX NUMBER-1:
NONE - WITHOUT "EDAINC" LOGO.
10 - WITH "EDAINC" LOGO.

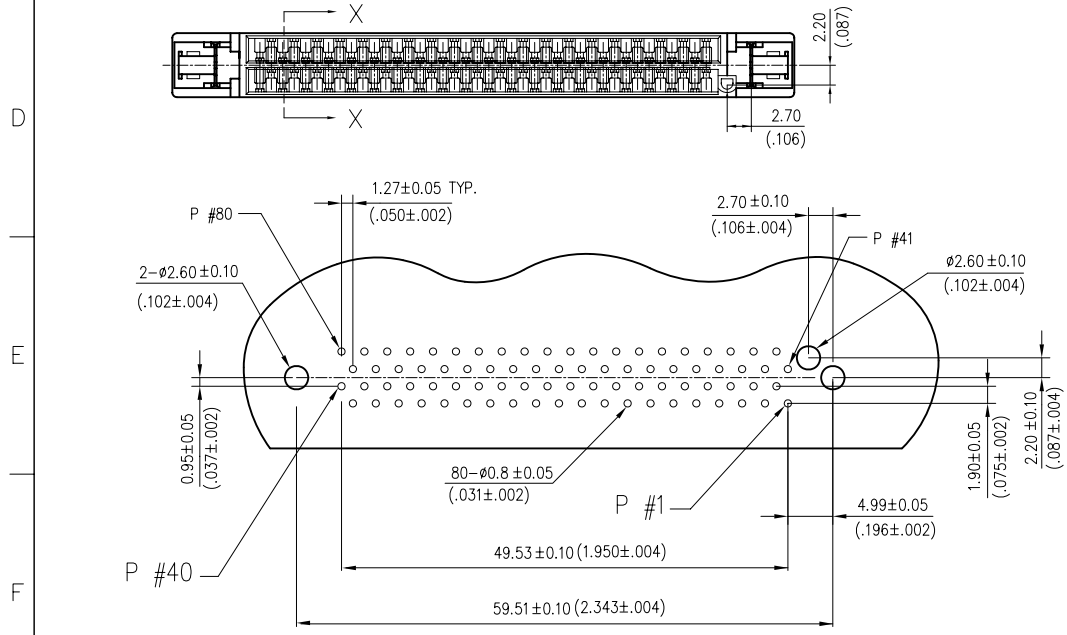
TERMINATOR TYPE	PIN NO.
LONG TERMINAL	1,36~43,45,46,75~80
SHORT TERMINAL	2~35,44,47~74

A	POLARIZATION PEG	RECOMMENDED PCB THK.
2.79	YES	1.57/(.062)
2.79	NO	
3.18	YES	2.36/(.093)
3.18	NO	
4.06	YES	3.18/(.125)
4.06	NO	

NOTES:

- MATERIAL:
HOUSING: NYLON-46, GLASS FIBER, UL94V-0,
TERMINAL: PHOSPHOR BRONZE.
ESD CONTACT: PHOSPHOR BRONZE.
- SPECIFICATION:
CONTACT RESISTANCE: 35mΩ MAX.
CURRENT RATING: 1 A.
DURABILITY: 500 MATING CYCLES MIN.
INSERTION FORCE: 7.0 KG MAX.
WITHDRAW FORCE: 1.0 KG MIN.
INSULATION RESISTANCE: 1000 MΩ MIN. AT 250 V DC.
DIELECTRIC WITHSTANDING VOLTAGE: 500 V AC FOR 1 MINUTE.
OPERATING TEMPERATURE: -25°C - +85°C.

RoHS Compliant



RECOMMENDED PC BOARD LAYOUT

TOLERANCE UNSPECIFIED		35T080S-3***-(**)		PART NO.
.000	±			SCALE: FREE UNIT: mm(inch)
.00	±0.25			
.0	±0.38			
.	±			
ANGLE	± 1°	DRAWN: MWLin 8/6-06		SHEET 1/1
DESIGNER	MWLin	NAME: 1.27(.050) SCA-2 FEMALE THROUGH HOLE TYPE CONN.		
CHECKED	Peterhu	DRAWING NO. R-S135T-5		REV. 1
APPROVED	John			