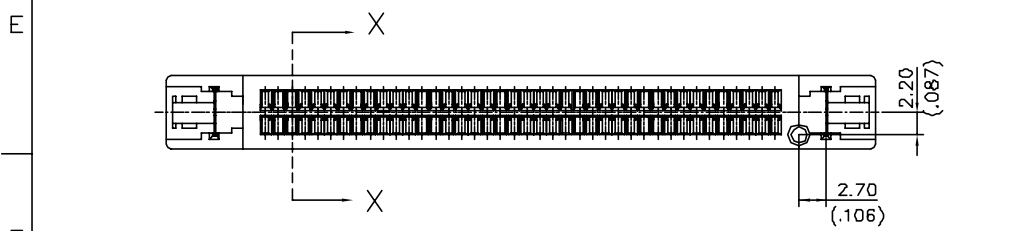


RoHS Compliant



REV	ZONE	LTR	DESCRIPTION	DATE	REVISER	APPD
4	B4	△4	RENEW DRAWING	07/05'00	吳章源	蔡文賢
5	D6	△5	ADD NEW SPECIFICATION	10/11'00	吳章源	蔡文賢
6	D4	△6	MODIFY DIM.3.50 TO 2.00	08/09'04	李海東	

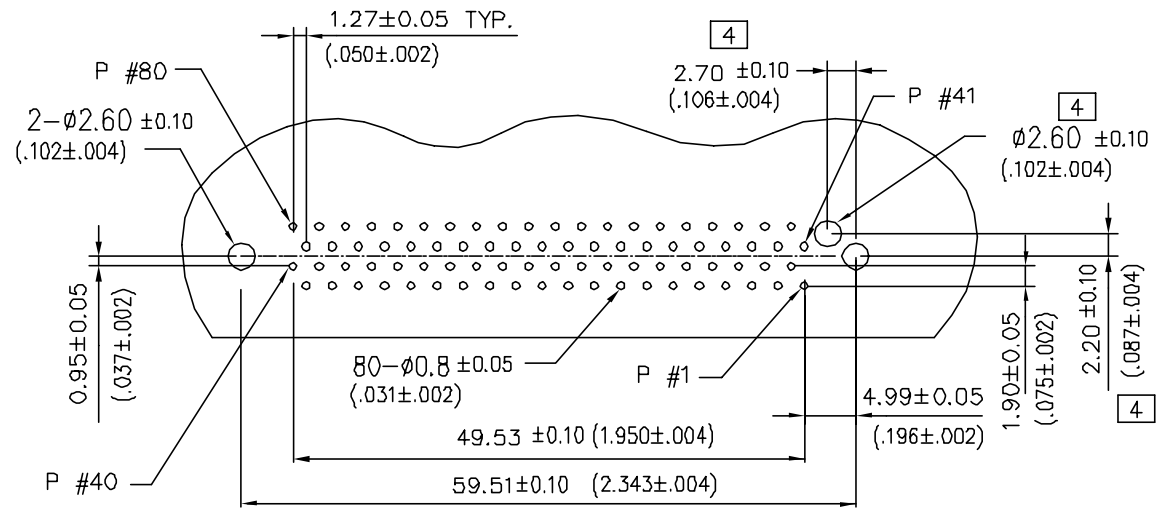
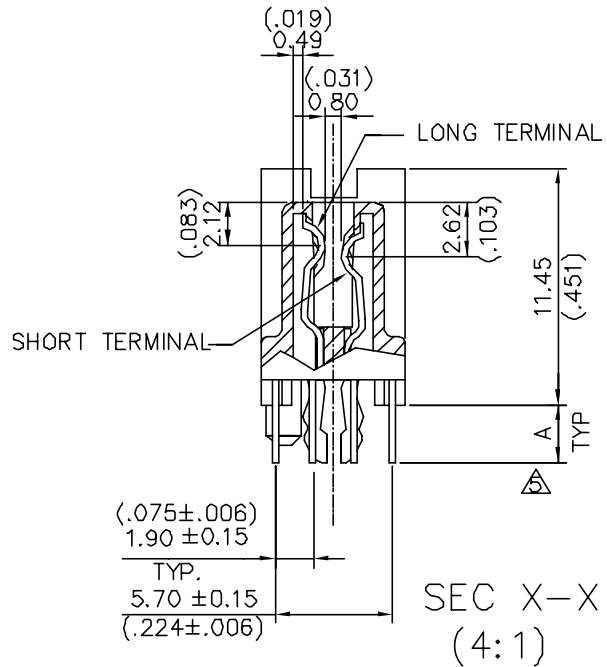
ORDERING INFORMATION:
 35P 080 S - 3 2 * 6 - (10)
 (1) (2) (3) (4)(5)(6)(7) (8)

- SERIES NUMBER:
35P - SCA-2 LOW-PROFILE CONNECTOR
- NUMBER OF CONTACTS:
080 - 80 POSITIONS.
- CONTACT CODES:
S - SOCKET.
- COLOR CODES:
3 - BLACK.
- CONTACT FINISH:
2 - 15 u" MIN. GOLD PLATING IN CONTACT AREA.
3 - 30 u" MIN. GOLD PLATING IN CONTACT AREA.
(AND 100 u" MIN. TIN PLATING IN SOLDER TAIL
OVER 50 u" MIN. NICKEL UNDERPLATING.)
- SOLDER TAIL LENGTH:
1 - 3.18 mm.
2 - 2.05 mm.
3 - 4.18 mm. △
- POLARIZATION PEG:
5 - WITHOUT.(LOW-PROFILE)
6 - WITH. (LOW-PROFILE)
- SUFFIX NUMBER:
10 - WITH "EDAINC" LOGO.
NONE - WITHOUT "EDAINC" LOGO.

TERMINAL TYPE	PIN NO.
LONG TERMINAL	1,36~43,45,46,75~80
SHORT TERMINAL	2~35,44,47~74

MATERIAL SEE NOTES	TOLERANCE UNSPECIFIED ± ±0.20 ±0.38 ± ±3°	FREEPORT	
		SCALE 2:1	UNIT MM(INCH)
FINISH X	DRAWN 朱耀漢 10/21'97	NAME SCA-2 LOW-PROFILE 80 CKTS FEMALE ASS'Y	SHEET 1/2
	DESIGNER 朱耀漢 10/21'97		
	CHECKED 胡林華 8/24'04	DRAWING NO. R-S135P-0	REV 6
	APPROVED JOHN 8/24'04	A3 RS135P01	

REV	ZONE	LTR	DESCRIPTION	DATE	REVISER	APPD
-----	------	-----	-------------	------	---------	------



RECOMMENDED PC BOARD LAYOUT

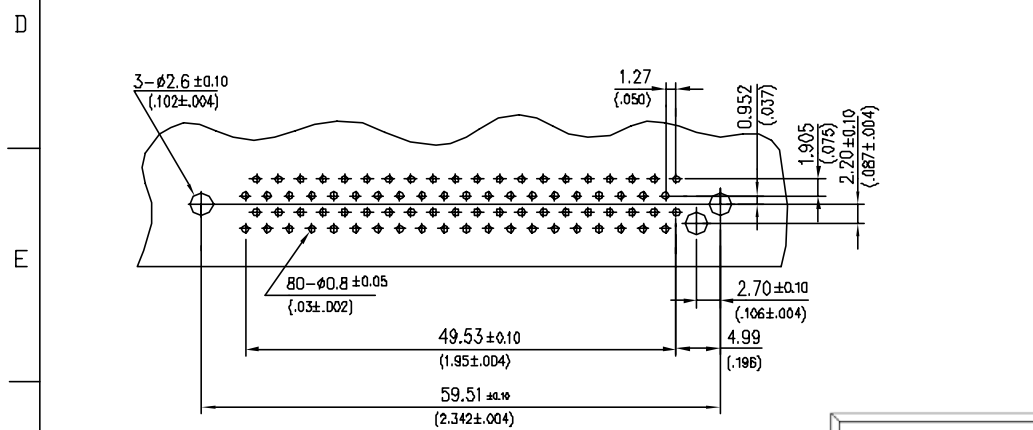
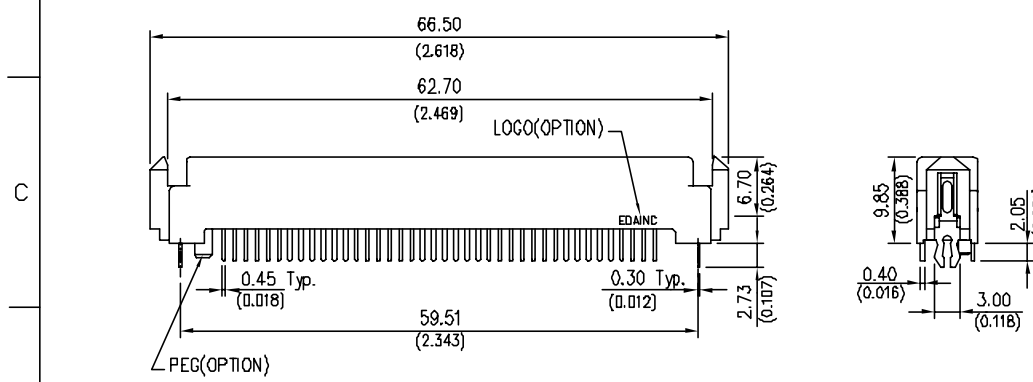
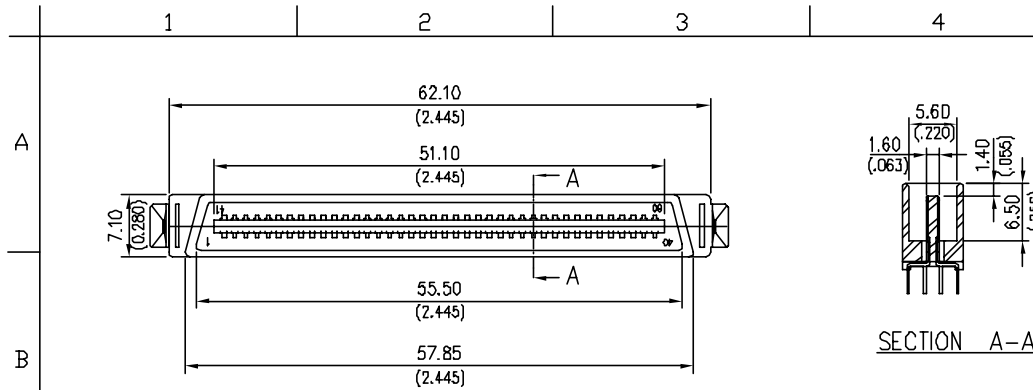
NOTES:

- ① HOUSING: NYLON, GLASS FIBER, UL94V-0, COLOR: BLACK.
- ② TERMINAL: PHOSPHOR BRONZE. PLATING: 15μ" MIN. GOLD PLATING IN CONTACT AREA, 100μ" MIN. TIN PLATING IN SOLDER TAIL, OVER 50μ" MIN. NICKLE UNDERPLATE.
- ③ ESD CONTACT: PHOSPHOR BRONZE. 100μ" MIN. TIN PLATING IN SOLDER TAIL, OVER 50μ" MIN. NICKLE UNDERPLATE.
- ④ DIMENSION FOR POLARIZATION PEG.

SPECIFICATION:
 CONTACT RESISTANCE: 35mΩ MAX.
 CURRENT RATING: 1 A.
 DURABILITY: 500 MATING CYCLES MIN.
 INSERTION FORCE: 7.0 KG MAX.
 WITHDRAW FORCE: 1.0 KG MIN.
 INSULATION RESISTANCE: 1000 MΩ MIN. AT 250 V DC.
 DIELECTRIC WITHSTANDING VOLTAGE: 500 V AC FOR 1 MINUTE.

4.18(1.646) 3.18(1.252) 2.05(0.807) A	MATERIAL	TOLERANCE UNSPECIFIED ± .20 ± 0.38 ANGLE ± 3°	SCALE 2:1 UNIT MM(INCH)	
	FINISH	DRAWN 朱耀漢 10/24'97		NAME
		DESIGNER 朱耀漢 10/24'97		SCA-2 LOW-PROFILE 80 CKTS FEMALE ASS'Y.
		CHECKED 呂本華 8/24'04		DRAWING NO. R-S135P-0
	APPROVED JOHN 8/24'04		SHEET 2/2 REV 6	

REV.	ZONE	LTR	DESCRIPTION	DATE	REVISER	APPD
------	------	-----	-------------	------	---------	------



RECOMMENDED PC BOARD

RoHS Compliant

ORDERING INFORMATION:

35P 080 P - 3 2 2 6 - 10
 (1) (2) (3) (4) (5) (6) (7) (8)

- | | |
|---|--|
| 1. SERIES NUMBER:
35P - SCA-2 LOW-PROFILE CONNECTOR | 6. SOLDER TAIL LENGTH:
2 - 2.05mm. |
| 2. NUMBER OF CONTACTS:
080 - 80 POSITIONS. | 7. POLARIZATION PEG:
5 - WITHOUT. (LOW-PROFILE) |
| 3. CONTACT CODES:
P - PLUG. | 6 - WITH. (LOW-PROFILE) |
| 4. COLOR CODES:
3 - BLACK. | 8. SUFFIX NUMBER:
10 - WITH "EDAINC" LOGO.
NONE - WITHOUT "EDAINC" LOGO. |
| 5. CONTACT FINISH:
2 - 15µ" MIN. GOLD PLATING IN CONTACT AREA.
3 - 30µ" MIN. GOLD PLATING IN CONTACT AREA.
(AND 100µ" MIN. TIN PLATING IN SOLDER TAIL OVER 50µ" MIN. NICKEL UNDERPLATING.) | |

NOTES:

1. MATERIAL:
 HOUSING: LCP ,GLASS FIBER,UL94V-0,
 TERMINAL: BRASS,SELECTIVE GOLD OVER NICKEL PLATED
 ESD CONTACT: PHOSPHOR BRONZE,TIN PLATED

2. SPECIFICATION
- | | |
|---------------------------------|------------------------|
| CONTACT RESISTANCE | 35 mΩ MAX. |
| CONTACT CURRENT RATING | 1 A |
| DURABILITY | 500 MATING CYCLE MIN. |
| INSULATION RESISTANCE | 1000 MΩ MIN AT 250VDC. |
| DIELECTRIC WITHSTANDING VOLTAGE | 500 V AC FOR 1 MIN. |

TOLERANCE UNSPECIFIED	±
.0 D D	±
.0 0	± 0.25
.0	± 0.35
.	±
ANGLE	± 1°
DRAWN	吴煥昇 6/30'98
DESIGNER	吴煥昇
CHECKED	Peterhu
APPROVED	John

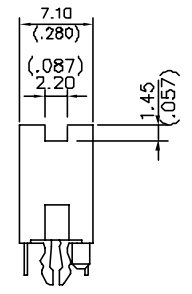
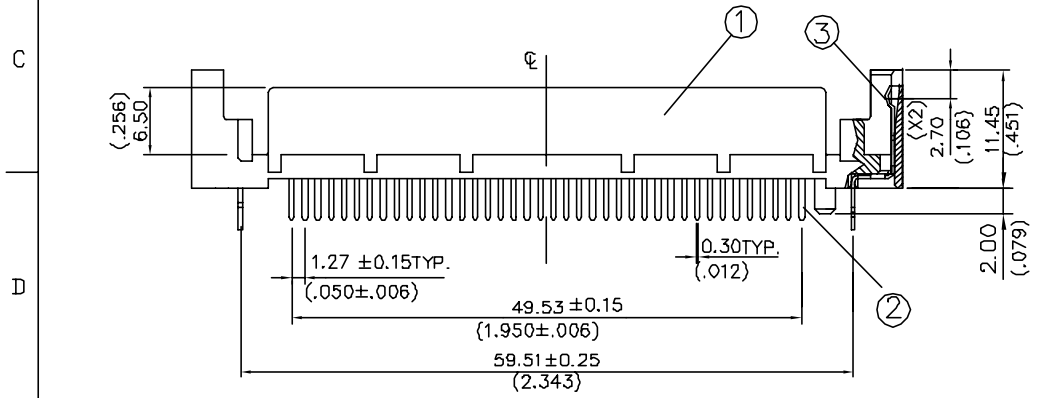
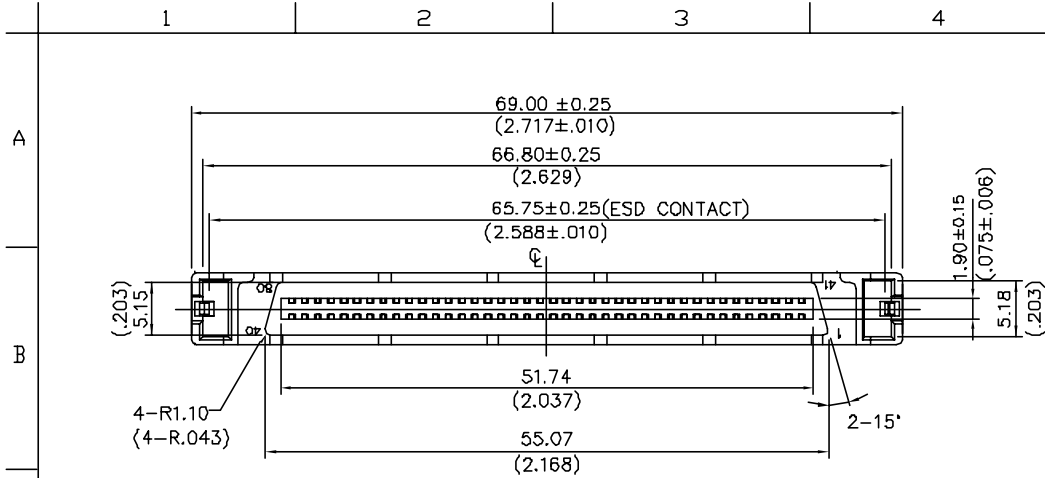
FREEPORT

SCALE: 2:1 UNIT: MM/(INCH)

NAME: SCA-2 80P MALE ASS'Y SHEET 1/1

DRAWING NO.: R-S135P-1 REV. 0

REV	ZONE	LTR	DESCRIPTION	DATE	REVISER	APPD

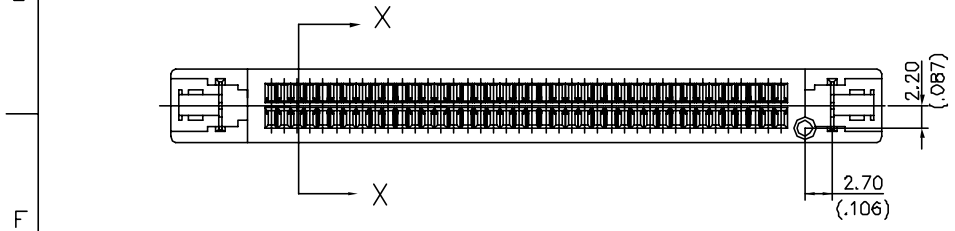


ORDERING INFORMATION:
 35P 080 S - 3 2 * 6 - AC
 (1) (2) (3) (4) (5) (6) (7) (8)

- SERIES NUMBER:
35P - SCA-2 LOW-PROFILE CONNECTOR
- NUMBER OF CONTACTS:
080 - 80 POSITIONS.
- CONTACT CODES:
S - SOCKET.
- COLOR CODES:
3 - BLACK.
- CONTACT FINISH:
2 - 15 μ" MIN. GOLD PLATING IN CONTACT AREA.
3 - 30 μ" MIN. GOLD PLATING IN CONTACT AREA.
(AND 100 μ" MIN. TIN PLATING IN SOLDER TAIL
OVER 50 μ" MIN. NICKEL UNDERPLATING.)
- SOLDER TAIL LENGTH:
1 - 3.18 mm.
2 - 2.05 mm.
3 - 4.18 mm.
- POLARIZATION PEG:
5 - WITHOUT (LOW-PROFILE)
6 - WITH (LOW-PROFILE)
- SUFFIX NUMBER:
AC - LOW INSERTION FORCE AND
LOW WITHDRAW FORCE.

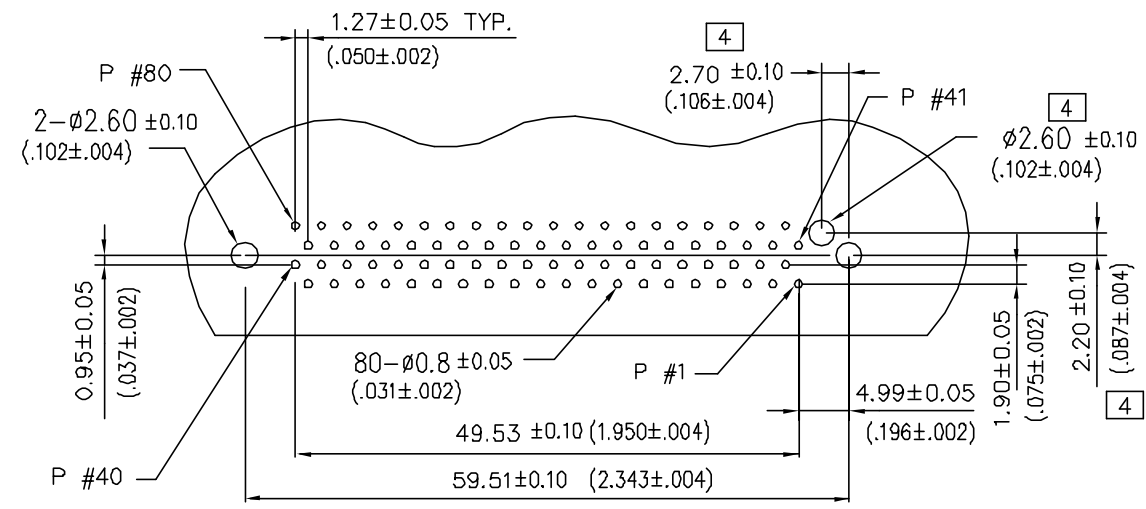
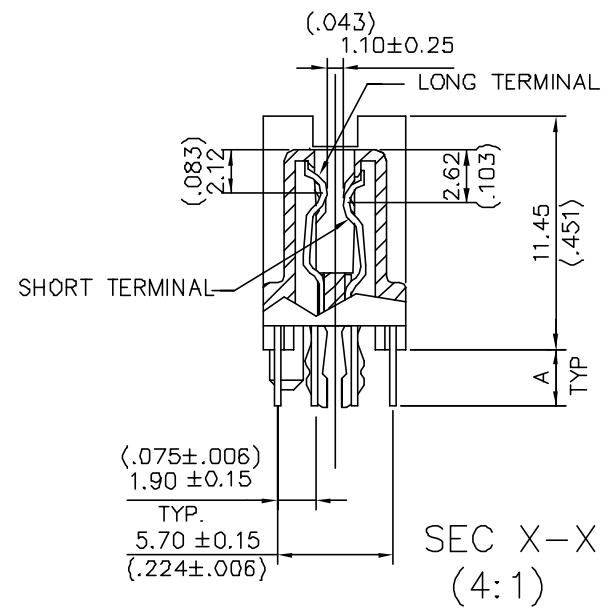
TERMINAL TYPE	PIN NO.
LONG TERMINAL	1,36~43,45,46,75~80
SHORT TERMINAL	2~35,44,47~74

RoHS Compliant



35P080S-32*6-AC			
MATERIAL	SEE NOTES	TOLERANCE UNSPECIFIED ± ±0.20 ±0.38 ANGLE ±3°	SCALE 2:1
FINISH		DRAWN ZW 8/16/04	UNIT MM(INCH)
		DESIGNER	NAME SCA-2 LOW-PROFILE 80 CKTS FEMALE ASS'Y
		CHECKED Peterhu 8/6/04	SHEET 1/2
		APPROVED John 8/8/04	DRAWING NO. R-S135P-5
			REV 1

REV	ZONE	LTR	DESCRIPTION	DATE	REVISER	APPD



RECOMMENDED PC BOARD LAYOUT

NOTES:

- ① HOUSING: NYLON, GLASS FIBER, UL94V-0, COLOR: BLACK.
- ② TERMINAL: PHOSPHOR BRONZE. PLATING: 15μ" MIN. GOLD PLATING IN CONTACT AREA, 100μ" MIN. TIN PLATING IN SOLDER TAIL, OVER 50μ" MIN. NICKLE UNDERPLATE.
- ③ ESD CONTACT: PHOSPHOR BRONZE. 100μ" MIN. TIN PLATING IN SOLDER TAIL, OVER 50μ" MIN. NICKLE UNDERPLATE.
- ④ DIMENSION FOR POLARIZATION PEG.

SPECIFICATION:
 CONTACT RESISTANCE: 35mΩ MAX.
 CURRENT RATING: 1 A.
 DURABILITY: 500 MATING CYCLES MIN.
 INSERTION FORCE: 7.0 KG MAX.
 WITHDRAW FORCE: 1.0 KG MIN.
 INSULATION RESISTANCE: 1000 MΩ MIN. AT 250 V DC.
 DIELECTRIC WITHSTANDING VOLTAGE: 500 V AC FOR 1 MINUTE.

4.18(1.646)
3.18(1.252)
2.05(0.807)
A

MATERIAL 	TOLERANCE UNSPECIFIED ± .20 ± 0.38		
	ANGLE ± 3°	SCALE 2:1	UNIT MM(INCH)
FINISH 	DRAWN ZW 8/18/04	NAME SCA-2 LOW-PROFILE 80 CKTS FEMALE ASS'Y.	
	CHECKED Peterhu 9/6/04	DRAWING NO. R-S135P-5	
	APPROVED John 9/6/04	REV 1	