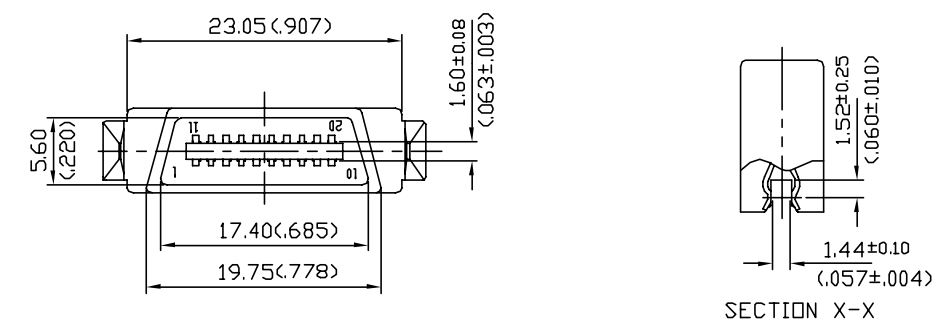
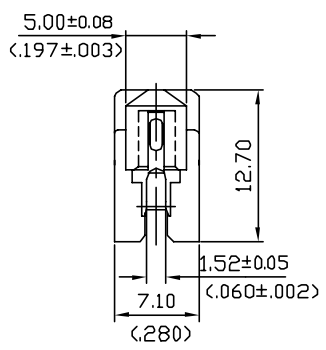
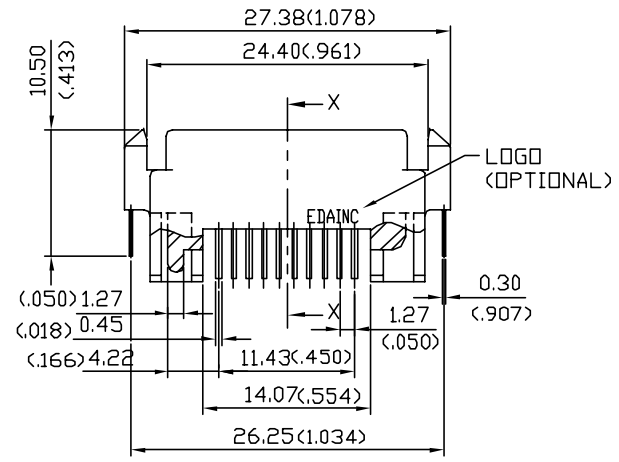


REV	ZONE	LTR	DESCRIPTION	DATE	REVISER	APPD
-----	------	-----	-------------	------	---------	------



SECTION X-X



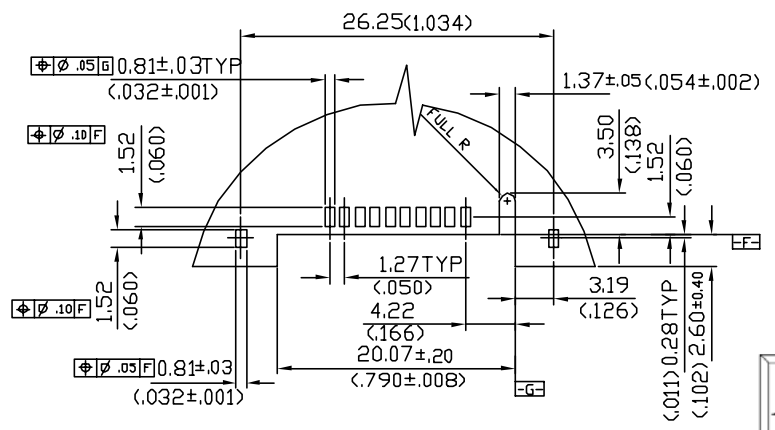
ORDERING INFORMATION:

35M 020 P - 3 * 1 - (10)
 (1) (2) (3) (4) (5) (6) (7)

- SERIES NUMBER:
35M - SCA-2, STRADDLE MOUNT CONNECTOR.
- NUMBER OF CONTACTS:
020 - 20 POSITIONS.
- CONTACT CODES:
P - PLUG.
- COLOR CODES:
3 - BLACK.
- CONTACT FINISH:
0 - GOLD FLASH PLATING IN CONTACT AREA.
2 - 15μ" MIN. GOLD PLATING IN CONTACT AREA.
3 - 30μ" MIN. GOLD PLATING IN CONTACT AREA.
(AND 100μ" MIN. TIN PLATING IN SOLDER TAIL OVER 50μ" MIN. NICKEL UNDERPLATING.)
- ACCEPT P.C.B. THICKNESS
1- 1.60mm.
- SUFFIX NUMBER:
NONE - W/O 'EDA' LOGO.
10 - W/ 'EDA' LOGO.

NOTES:

- MATERIAL
HOUSING : LCP & G/F REINFORCED, UL 94V-0
CONTACT : BRASS, GOLD OVER NICKEL
HARPOON : PHOSPHOR BRONZE, TIN OVER NICKEL
- SPECIFICATION:
CONTACT RESISTANCE 35 m ohm MAX.
CONTACT CURRENT RATING 1 A
DURABILITY 500 MATING CYCLE MIN.
INSULATION RESISTANCE 1000 M ohm MIN AT 250VDC.
DIELECTRIC WITHSTANDING VOLTAGE 500 V AC FOR 1 MIN.



RECOMMENDED PCB LAYOUT



TOLERANCE UNSPECIFIED		FREEPORT	
±.25	±.38	SCALE FREE	UNIT MM/(INCH)
ANGLE ±1°			
DRAWN 簡靜怡 09/14-00'	NAME SCA-2 PLUG CONNECTOR STRADDLE MOUNT, 20 POS.		SHEET 1/1
DESIGNER 簡靜怡 09/14-00'			
CHECKED Peterhu			
APPROVED John	DRAWING NO. R-S135M-0		REV 1

REV	ZONE	LTR	DESCRIPTION	DATE	REVISER	APPD

ORDERING INFORMATION:

35M 080 P - 3 2 1 - A
 (1) (2) (3) (4) (5) (6) (7)

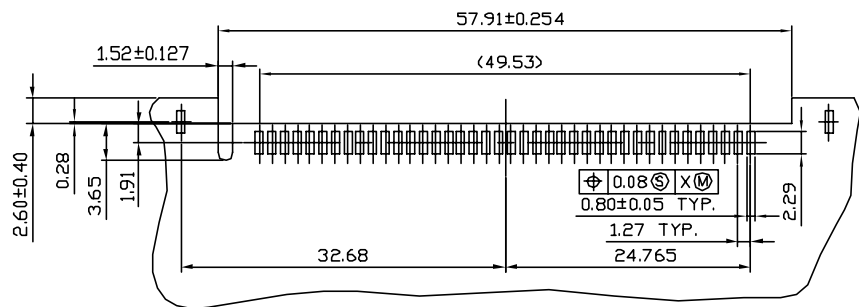
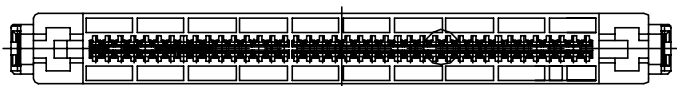
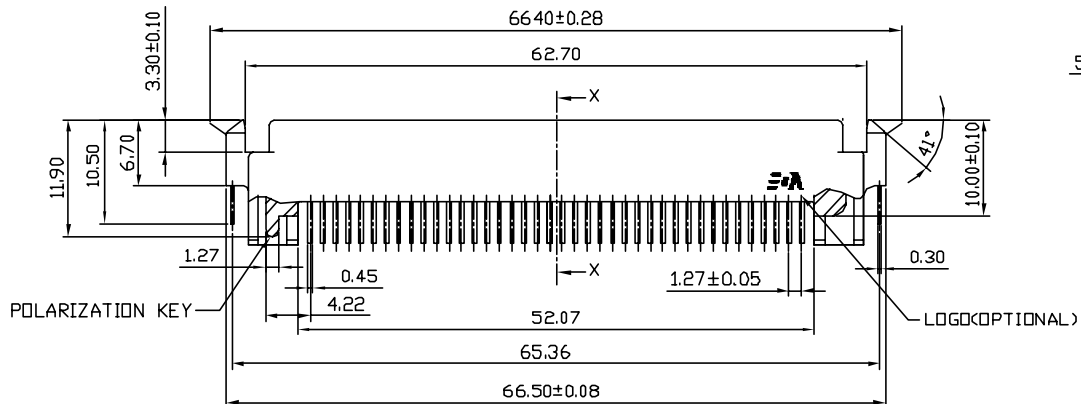
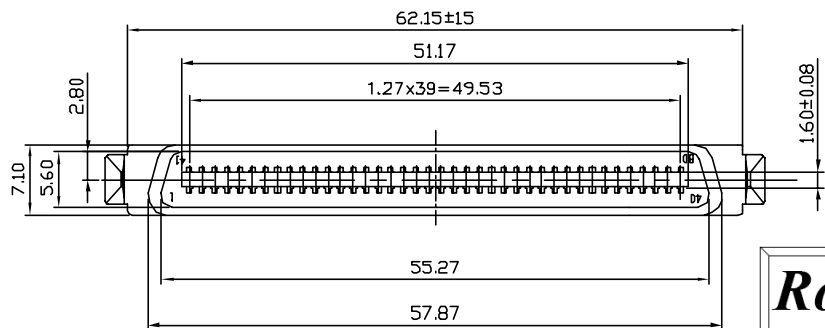
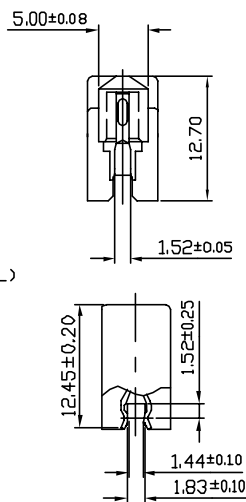
- SERIES NUMBER:
35M - SCA-2, STRADDLE MOUNT CONNECTOR.
- NUMBER OF CONTACTS:
080 - 80 POSITIONS.
- CONTACT CODES:
P - PLUG.
- COLOR CODES:
3 - BLACK.
- CONTACT FINISH:
2 - 15µ" MIN. GOLD PLATING IN CONTACT AREA.
3 - 30µ" MIN. GOLD PLATING IN CONTACT AREA.
(AND 100µ" MIN. TIN PLATING IN SOLDER TAIL OVER 50µ" MIN. NICKEL UNDERPLATING.)
- ACCEPT P.C.B. THICKNESS
1- 1.60mm.
- SUFFIX NUMBER:
A - WITH FREEPORT AND NORMAL TYPE
(POLARIZATION KEY IS LEFT SIDE)
B- WITHOUT FREEPORT AND NORMAL TYPE
(POLARIZATION KEY IS LEFT SIDE)

RoHS Compliant

SPECIFICATION:

CONTACT RESISTANCE:	35 mΩ MAX.
CONTACT CURRENT RATING:	1 A
DURABILITY:	500 MATING CYCLE MIN.
INSULATION RESISTANCE:	1000 MΩ MIN AT 250VDC.
DIELECTRIC WITHSTANDING VOLTAGE:	500 V AC FOR 1 MIN.
OPERATING TEMPERATURE:	-25°C ~ +85°C

SECTION X-X

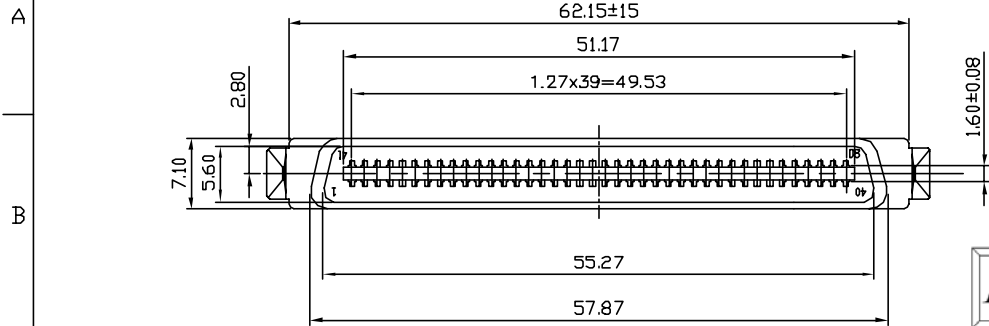


RECOMMENDED PCB LAYOUT

35M080P-3*1-*		PART NO.	
MATERIAL	TOLERANCE UNSPECIFIED		
	± 0.25		
	± 0.38	SCALE	UNIT
	ANGLE ± 1°	NONE	MM
FINISH	DRAWN Sam 01/10 04	NAME	
	DESIGNER Sam 01/10 04	SCA-2 PLUG CONNECTOR	
	CHECKED Peterhu	STRADDLE MOUNT	
	APPROVED John	(NORMAL TYPE)	
		DRAWING NO.	REV
		R-S135M-2	1

1 2 3 4 5 6 7 8

REV	ZONE	LTR	DESCRIPTION	DATE	REVISER	APPD

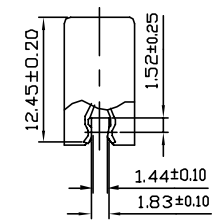
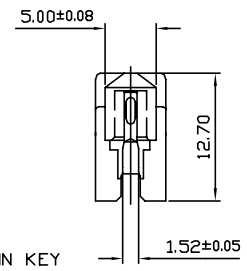
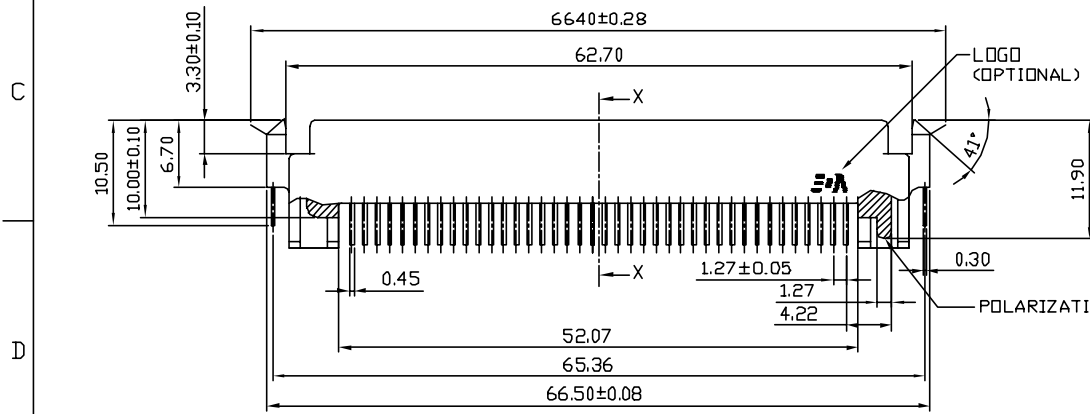


RoHS Compliant

ORDERING INFORMATION:

35M 080 P - 3 2 1 - C
 (1) (2) (3) (4) (5) (6) (7)

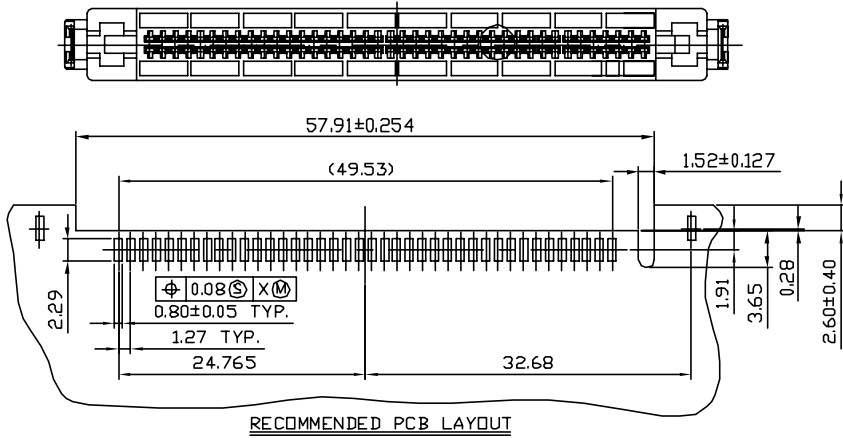
- SERIES NUMBER:
35M - SCA-2, STRADDLE MOUNT CONNECTOR.
- NUMBER OF CONTACTS:
080 - 80 POSITIONS.
- CONTACT CODES:
P - PLUG.
- COLOR CODES:
3 - BLACK.
- CONTACT FINISH:
2 - 15μ" MIN. GOLD PLATING IN CONTACT AREA.
3 - 30μ" MIN. GOLD PLATING IN CONTACT AREA.
(AND 100μ" MIN. TIN PLATING IN SOLDER
TAIL OVER 50μ" MIN. NICKEL UNDERPLATING.)
- ACCEPT P.C.B. THICKNESS
1- 1.60mm.
- SUFFIX NUMBER:
C - WITH FREEPORT AND REVERSE TYPE
(POLARIZATION KEY IS RIGHT SIDE)
D- WITHOUT FREEPORT AND REVERSE TYPE
(POLARIZATION KEY IS RIGHT SIDE)



SECTION X-X

SPECIFICATION:

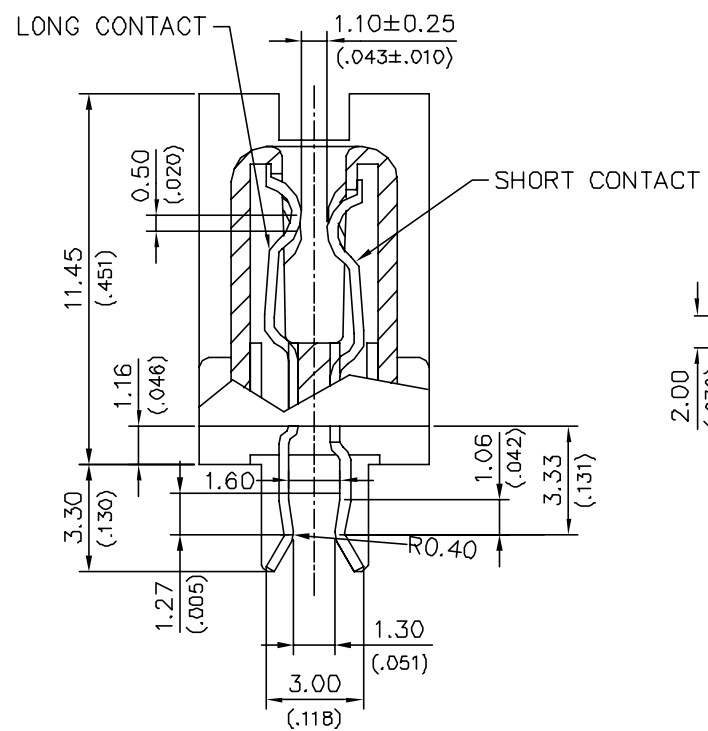
CONTACT RESISTANCE:	35 mΩ MAX.
CONTACT CURRENT RATING:	1 A
DURABILITY:	500 MATING CYCLE MIN.
INSULATION RESISTANCE:	1000 MΩ MIN AT 250VDC.
DIELECTRIC WITHSTANDING VOLTAGE:	500 V AC FOR 1 MIN.
OPERATING TEMPERATURE:	-25°C ~ +85°C



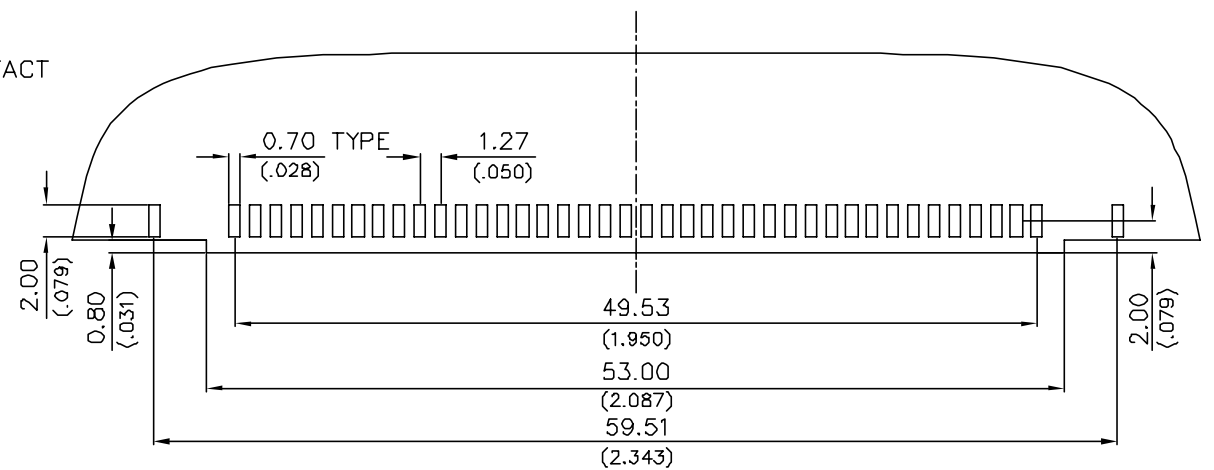
RECOMMENDED PCB LAYOUT

35M080P-3*1-*		PART NO.	
MATERIAL	TOLERANCE UNSPECIFIED ± ± 0.25 ± 0.38 ±		
FINISH	ANGLE ± 1°	SCALE NONE	UNIT MM
DRAWN Sam 01/10 04	DESIGNER Sam 01/10 04	NAME SCA-2 PLUG CONNECTOR STRADDLE MOUNT (REVERSE TYPE)	
CHECKED Peterhu	APPROVED John	DRAWING NO. R-S135M-3	SHEET 1/1
		REV 1	

REV	ZONE	LTR	DESCRIPTION	DATE	REVISER	APPD



SEC X-X
(2:1)



RECOMMENDED PC BOARD LAYOUT
(THICKNESS=1.60 MAX.)

NOTES:

1. HOUSING: NYLON, GLASS FIBER, UL94V-0, COLOR: BLACK.
2. TERMINAL: PHOSPHOR BRONZE. PLATING: 15u" MIN. GOLD PLATING IN CONTACT AREA, 100u" MIN. TIN PLATING IN SOLDER TAIL, OVER 50u" MIN. NICKLE UNDERPLATE.
3. ESD CONTACT: PHOSPHOR BRONZE. 100u" MIN. TIN PLATING IN SOLDER TAIL, OVER 50u" MIN. NICKLE UNDERPLATE.
4. DIMENSION FOR POLARIZATION PEG.

SPECIFICATION:
 CONTACT RESISTANCE: 35mΩ MAX.
 CURRENT RATING: 1 A.
 DURABILITY: 500 MATING CYCLES MIN.
 INSERTION FORCE: 7.0 KG MAX.
 WITHDRAW FORCE: 1.0 KG MIN.
 INSULATION RESISTANCE: 1000 MOHM MIN. AT 250 V DC.
 DIELECTRIC WITHSTANDING VOLTAGE: 500 V AC FOR 1 MINUTE.

MATERIAL	TOLERANCE UNSPECIFIED ± .25 ± 0.38 ANGLE ± 1°		
		SCALE 2:1	UNIT MM(INCH)
FINISH	DRAWN WINDER 02/18.05	NAME	
	DESIGNER WINDER 02/18.05	SCA-2 LOW-PROFILE 80 CKTS FEMALE ASS'Y.	
	CHECKED Peterhu	DRAWING NO. R-S135M-4	REV 1
APPROVED John	A3		RS135M42