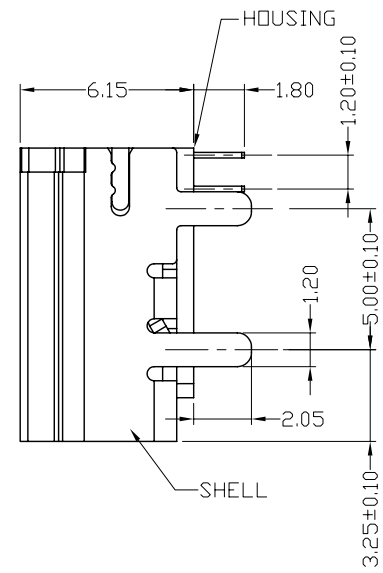
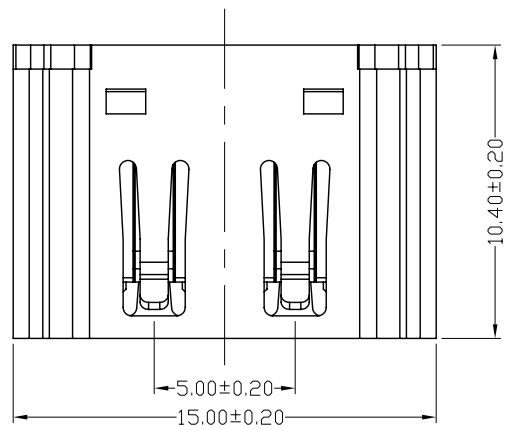


1 2 3 4 5 6 7 8

REV	ZONE	LTR	DESCRIPTION	DATE	REVISER	APPD

A
B
C
D
E
F

A
B
C
D
E
F



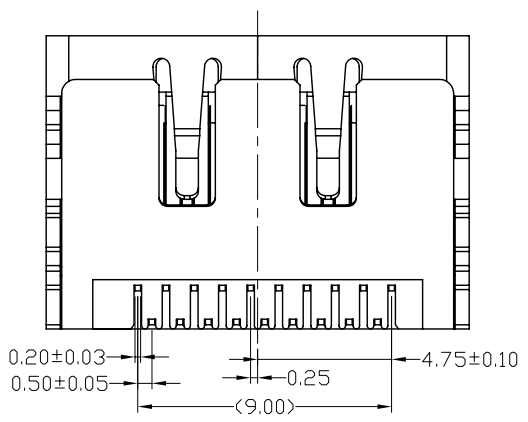
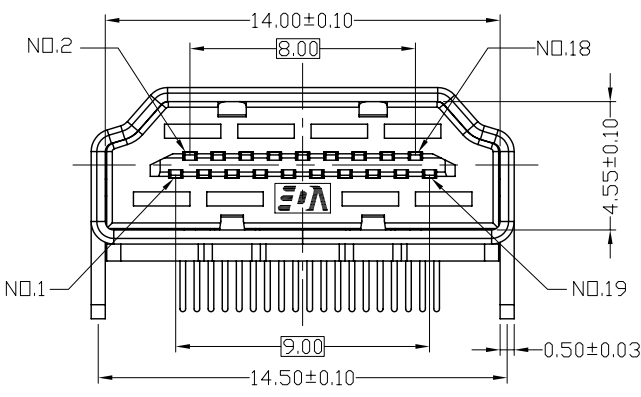
ORDERING INFORMATION

51 L 019 S - 3 * R N - B - B
 (1) (2) (3) (4) (5) (6) (7) (8) (9) (10)

- SERIES NO.
51: HDMI CONNECTOR
- TAIL CONSTRUCTION TYPE
L: DIP TYPE
- NUMBER OF PIN
019: 19 POSITIONS
- CONTACT & CONNECTION TYPES:
P: PLUG
S: SOCKET
3: BLACK
- COLOR CODES
3: BLACK
- CONTACT PLATING:
0: GOLD FLASH OVER NICKEL
2: 15u" GOLD OVER NICKEL
3: 30u" GOLD OVER NICKEL
- SHELL CONSTRUCTION
1: WITHOUT FLANGE AND WITH TOP SPRING
SOLDER TAIL IS THROUGH HOLE TYPE
R: REVERSE TYPE
- SHELL PLATING
T: TIN PLATED OVER NICKEL
N: NICKEL PLATED
- SUFFIX NO.1
A: WITH FREEPORT LOGO
B: WITHOUT FREEPORT LOGO
- SUFFIX NO.2
NONE: SHELL MATERIAL IS PHOSPHOR BRONZE
B: SHELL MATERIAL IS BRASS

REMARKS:

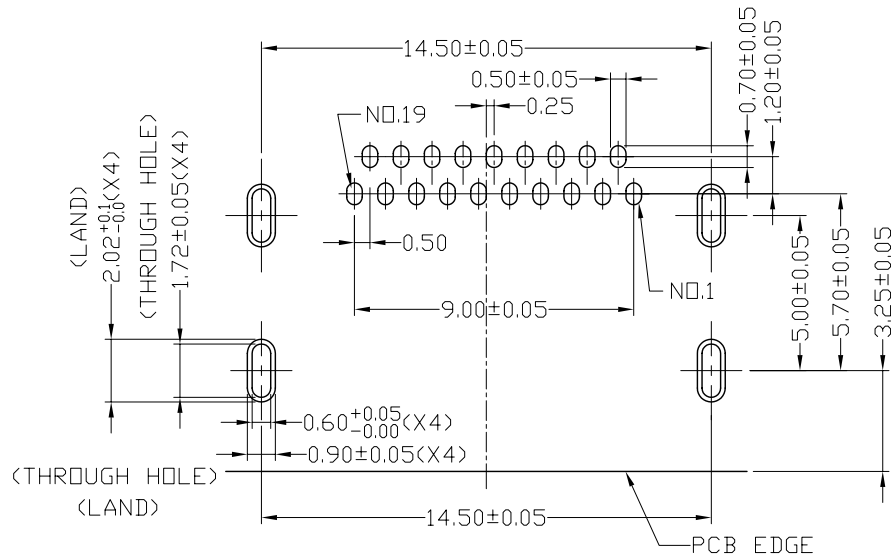
- MATERIAL:
1.1 HOUSING: HIGH TEMPERATURE THERMOPLASTIC
UL 94V-0 RATED
1.2 CONTACT: COPPER ALLOY
- PLATING:
2.1 CONTACT:
GOLD PLATED OVER NICKEL ON CONTACT AREA
AND 100u" MIN. TIN PLATED OVER NICKEL
ON SOLDER TAILS
2.2 SHELL:
TIN PLATED OVER NICKEL OR NICKEL PLATED



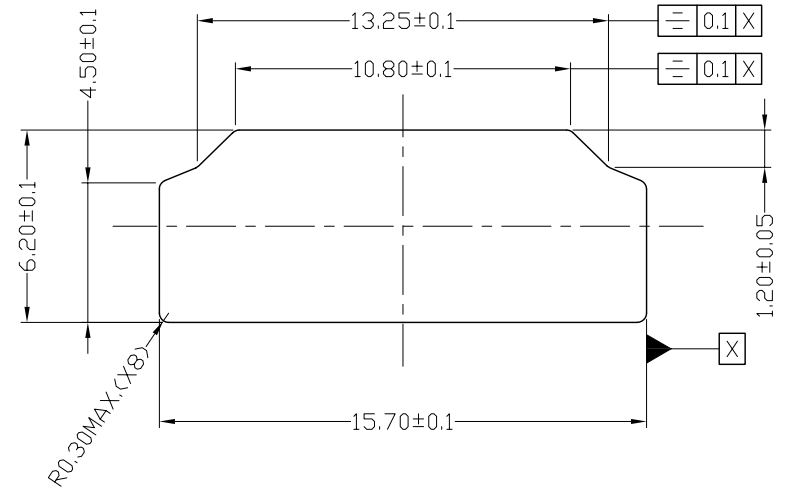
RoHS Compliant

MATERIAL	TOLERANCE UNSPECIFIED		
	± ±0.20 ±0.30 ± ± 1°		SCALE 1:1 UNIT mm
FINISH	DRAWN	NAME	
	DESIGNER <i>Hixing</i> 09/23/06	HDMI RECEPTACLE REVERSE DIP TYPE	
	CHECKED <i>Hixing</i> 09/23/06	SHEET 1/2	
APPROVED	DRAWING NO. R-S151L-6	REV 1.0	

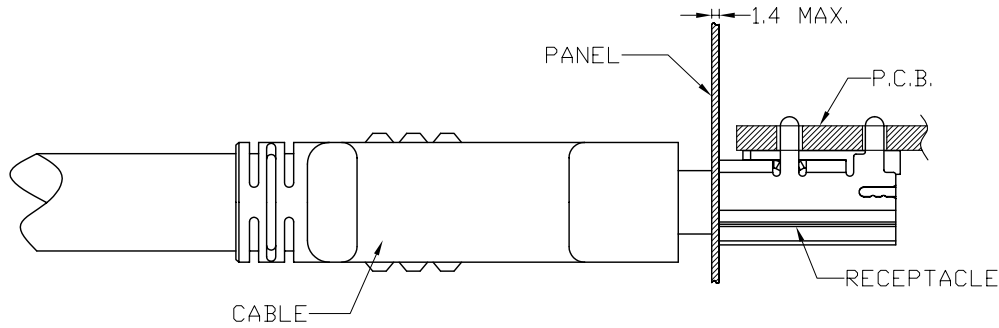
REV	ZONE	LTR	DESCRIPTION	DATE	REVISER	APPD



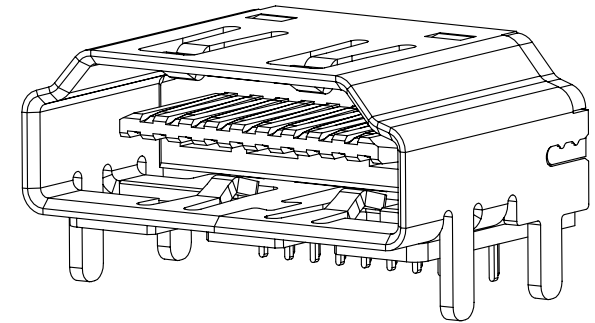
RECOMMENDED PCB LAYOUT (THICKNESS=1.4±0.15mm)



REFERENCE PANEL CUT OUT DIMENSION



REFERENCE MOUNT DIMENSION



RoHS Compliant

MATERIAL	TOLERANCE UNSPECIFIED	FREEPORT	
	± ±0.20 ±0.30 ± ± 1°	SCALE 1:1	UNIT mm
FINISH	DRAWN	NAME	
	DESIGNER <i>Hixing 09/23.06</i>	HDMI RECEPTACLE REVERSE DIP TYPE	
	CHECKED	DRAWING NO. R-S151L-6	
APPROVED	REV 1.0		SHEET 2/2
A4		RS151L61	