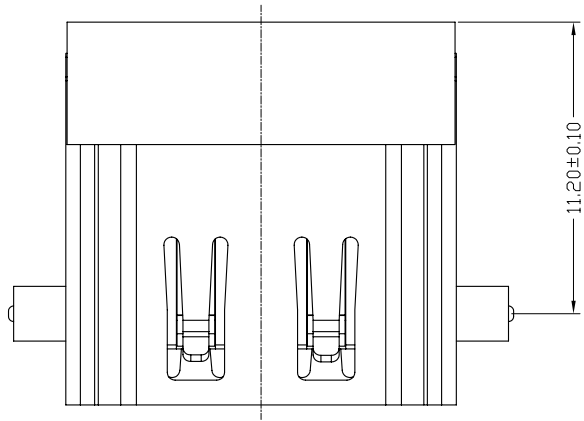
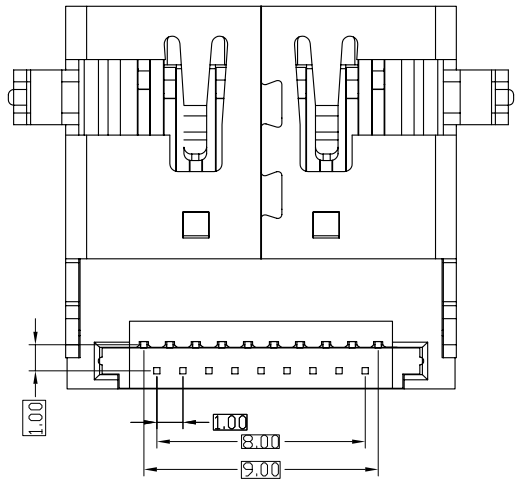
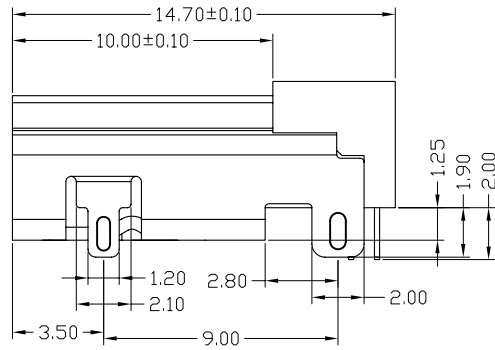
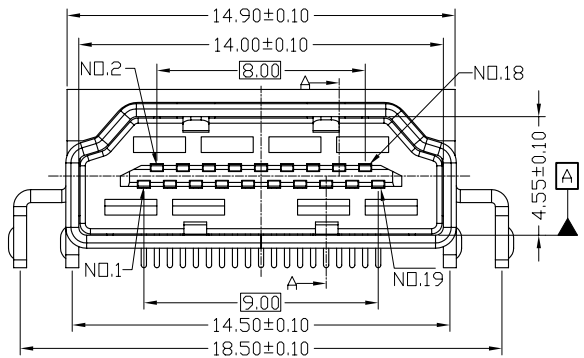


REV	ZONE	LTR	DESCRIPTION	DATE	REVISER	APPD



11.20±0.10



RoHS Compliant

ORDERING INFORMATION

51 LR 019 S - 3 * R N - B
 (1) (2) (3) (4) (5) (6) (7) (8) (9)

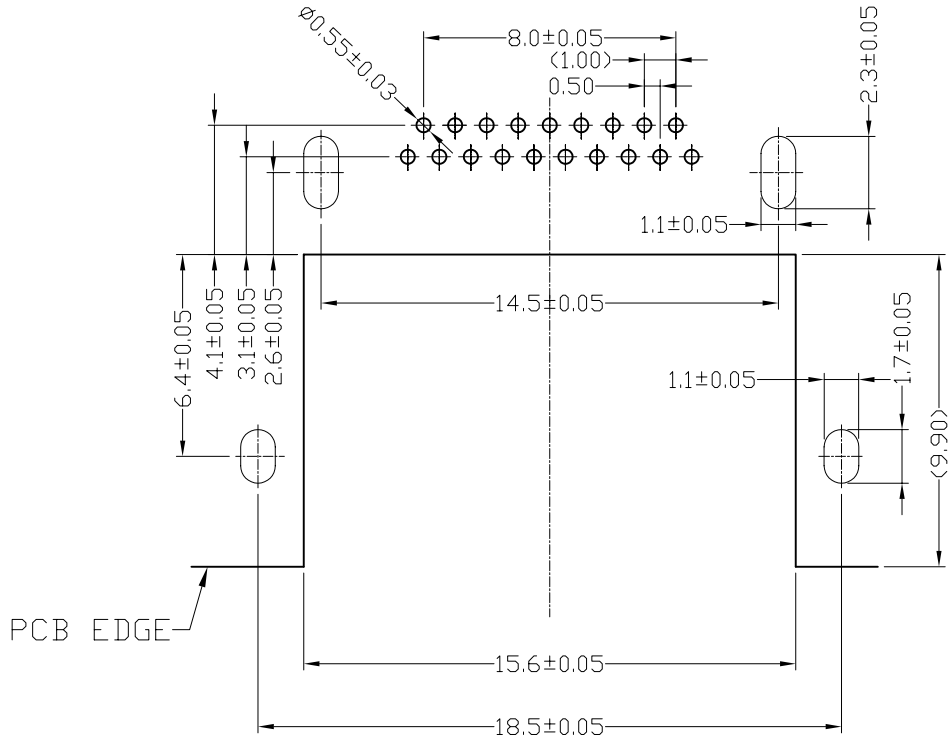
- SERIES NO.
51: HDMI CONNECTOR
- TAIL CONSTRUCTION TYPE
LR: THROUGH HOLE AND REVERSE TYPE
- NUMBER OF PIN
019: 19 POSITIONS
- CONTACT & CONNECTIONG TYPES:
P: PLUG
S: SOCKET
- COLOR CODES
3: BLACK
- CONTACT PLATING:
0: GOLD FLASH OVER NICKEL
2:15u" GOLD OVER NICKEL
3: 30u" GOLD OVER NICKEL
- SHELL CONSTRUCTION
G: REVERSE DIP TYPE WITH RIBBING
WITHOUT FLANGE AND SPRING LATCH
SHELL TAIL IS THROUGH HOLE TYPE
- SHELL PLATING
T: TIN PLATED OVER NICKEL
N: NICKEL PLATED
- SUFFIX NO.
A: WITH FREEPORT LOGO
B: WITHOUT FREEPORT LOGO

REMARKS:
1. THE ▼ MARKER DIMENSIONS ARE IMPORTANT AND SHOULD BE CONTROLLED BY QC

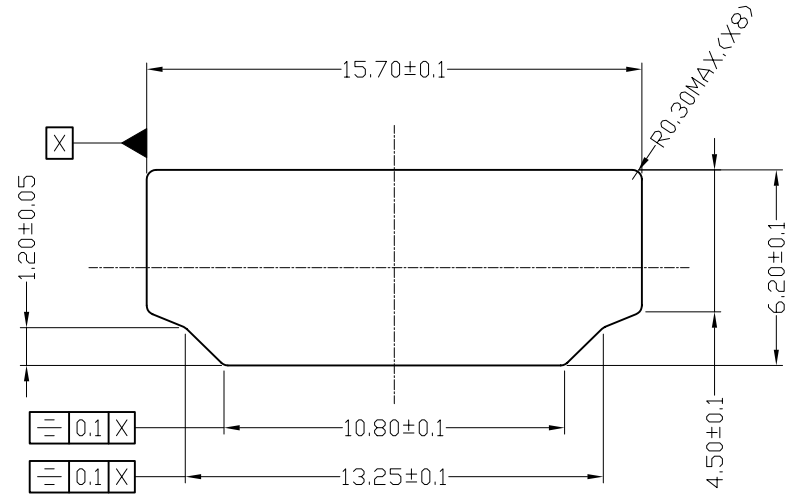
PART NO.

MATERIAL	TOLERANCE UNSPECIFIED			SCALE	UNIT
	± 0.10 ± 0.20 ± 1°				
FINISH	DRAWN	NAME			SHEET
	DESIGNER	HDMI RECEPTACLE REVERSE			
	CHECKED	DIP THROUTH HOLE TYPE			
APPROVED	DRAWING NO.	R-S151LR-0		REV	1.0

REV	ZONE	LTR	DESCRIPTION	DATE	REVISER	APPD



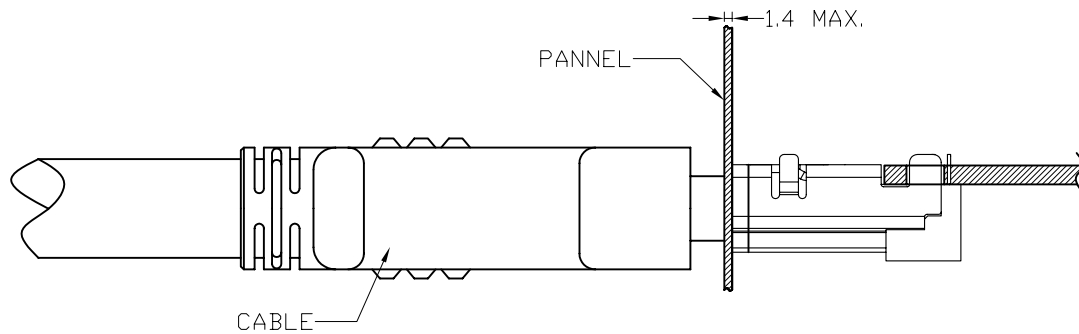
RECOMMENDED PCB LAYOUT (THICKNESS=1.2±0.10mm)



REFERENCE PANEL CUT OUT DIMENSION

REMARKS:

1. MATERIAL:
 - 1.1 HOUSING: HIGH TEMPERATURE THERMOPLASTIC UL 94V-0 RATED
 - 1.2 CONTACT: COPPER ALLOY
2. PLATING:
 - 2.1 CONTACT: GOLD PLATED OVER NICKEL ON CONTACT AREA AND 100µ" MIN. TIN PLATED OVER NICKEL ON SOLDER TAILS
 - 2.2 SHELL: TIN PLATED OVER NICKEL OR NICKEL PLATED



REFERENCE MOUNT DIMENSION

RoHS Compliant

PART NO.

MATERIAL 	TOLERANCE UNSPECIFIED	FREEPORT	
	± ± 0.10 ± 0.20 ± ANGLE ± 1°	SCALE 1:1 UNIT mm	SHEET
FINISH 	DRAWN <i>Jession</i> 09/27/06	NAME HDMI RECEPTACLE REVERSE DIP THROUHT HOLE TYPE	
	DESIGNER <i>Jession</i> 09/27/06		
CHECKED		DRAWING NO. R-S151LR-0	
APPROVED		REV 1.0	