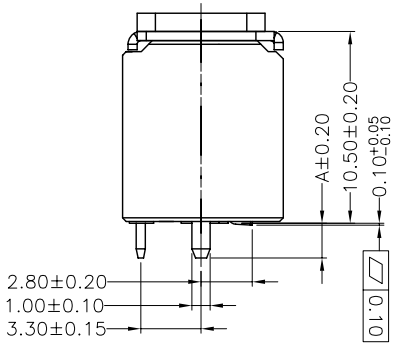
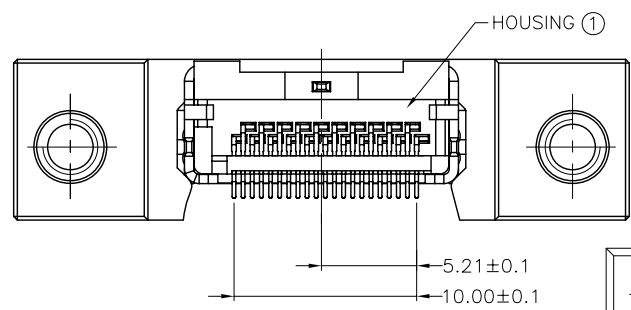
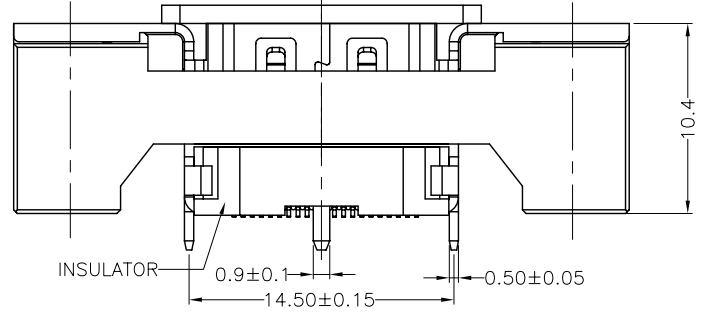
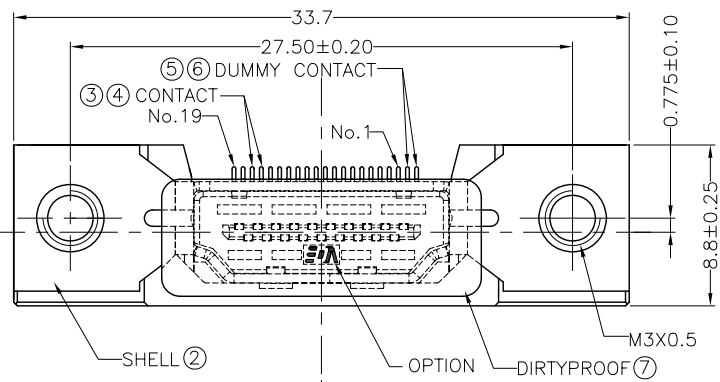
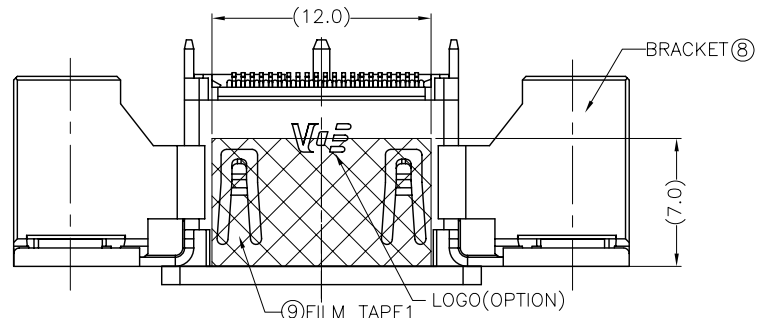


1 2 3 4 5 6 7 8

REV	ZONE	LTR	DESCRIPTION	DATE	REVISER	APPD

A  
B  
C  
D  
E  
F

A  
B  
C  
D  
E  
F



2.80±0.20  
1.00±0.10  
3.30±0.15

**RoHS Compliant**

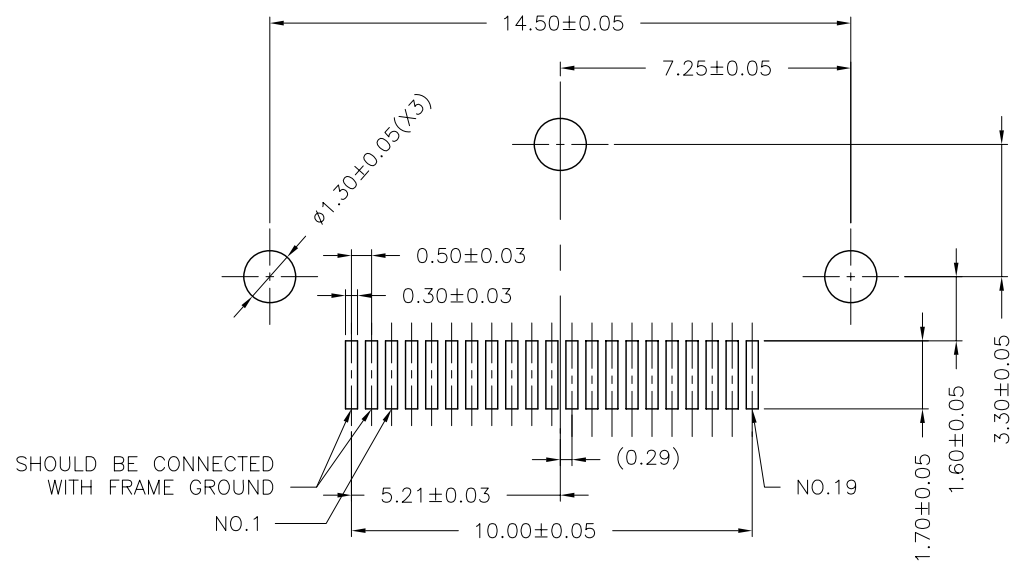
**ORDERING INFORMATION**

51 V 019 S - 3 \* W \* - A 7 (R)  
(1) (2) (3) (4) (5) (6) (7) (8) (9) (10) (11)

- SERIES NO.  
51: HDMI CONNECTOR
- TAIL CONSTRUCTION TYPE  
V: VERTICAL SMT TYPE
- NUMBER OF PIN  
019: 19 POSITIONS
- CONTACT & CONNECTIONG TYPES:  
S: SOCKET
- COLOR CODES  
3: BLACK
- CONTACT PLATING:  
0: GOLD FLASH OVER NICKEL  
2: 15u" GOLD OVER NICKEL  
3: 30u" GOLD OVER NICKEL  
6: THE CONNECT AREA 30u" GOLD PLATED OVER NICKEL  
,SOLDER AREA GOLD FLASH PLATED OVER NICKEL
- SHELL CONSTRUCTION  
W: WITH WING,SOLDER TAIL IS THRU HOLE TYPE  
TAIL LENGTH A=1.90mm  
F: WITH WING SOLDER TAIL IS THRU HOLE TYPE,  
TAIL LENGTH A=2.60mm
- SHELL PLATING  
T: TIN PLATED(LEAD FREE)  
N: SOLDERABLE NICKEL PLATED  
L: Au:3u"Min. ALL PLATED  
4: GOLD FLASH ALL PLATED
- SUFFIX NO.1  
A: HOUSING WITH "EIA" LOGO  
B: HOUSING WITHOUT LOGO  
C: COPPER SHELL AND HOUSING WITH "EIA" LOGO
- SUFFIX NO.2  
7: WITH DIRTYPROOF AND BRACKET-2,FILM TAPE-1(ASSEMBLED)
- SUFFIX NO.3  
R: TAPE REEL PACKING  
NONE: PVC TRAY PACKING

51V019S-3*WN-A7		PART NO.	
MATERIAL	TOLERANCE UNSPECIFIED	<b>FREEPORT</b>	
	. . . ± . . . ±0.10 . . . ±0.15 . . . ± . . . ± 1°		
FINISH	ANGLE	SCALE	UNIT
	DRAWN	1:1	mm
	DESIGNER	NAME	
	CHECKED	HDMI RECEPTACLE VERTICAL SMT TYPE	
APPROVED	Peter	DRAWING NO.	REV
		R-S151V-17	1

REV	ZONE	LTR	DESCRIPTION	DATE	REVISER	APPD



**RoHS Compliant**

RECOMMENED P.C.B. LAYOUT(T=1.6mm)

REMARKS:

1. MATERIAL:
  - 1.1 INSULATOR: THERMOPLASTIC UL 94V-0 RATED,COLOR: BLACK
  - 1.2 CONTACT: COPPER ALLOY
  - 1.3 SHELL: COPPER ALLOY
  - 1.4 BRACKET: THERMOPLASTIC UL94V-0 ,COLOR: BLACK
  - 1.5 DIRTYPROOF: THERMOPLASTIC UL94V-0 ,COLOR: BLACK
2. PLATING:
  - 2.1 CONTACT:
 

GOLD PLATED OVER NICKEL ON CONTACT AREA AND 100u" MIN. TIN PLATED OVER NICKEL ON SOLDER TAILS
  - 2.2 SHELL:
 

SOLDERABLE NICKEL OR TIN OR GOLD PLATED OVER NICKEL

QTY'S	SPECIFICATION	PART	ITEM
1	POLYIMIDE :7X12(mm)	FILM TAPE-1	9
1	THERMOPLASTIC	BRACKET-2	8
1	THERMOPLASTIC	DIRTYPROOF	7
1	COPPER ALLOY,T=0.20mm	SHORT DUMMY	6
1	COPPER ALLOY,T=0.20mm	LONG DUMMY	5
10	COPPER ALLOY,T=0.20mm	SHORT CONTACT	4
9	COPPER ALLOY,T=0.20mm	LONG CONTACT	3
1	COPPER ALLOY,T=0.50mm	SHELL	2
1	THERMOPLASTIC	INSULATOR	1

MATERIAL	TOLERANCE UNSPECIFIED . . . ± . . . ±0.10 . . . ±0.15 . . . ± . . . ± 1° ANGLE		
FINISH	DRAWN MWLin 4/18/07	NAME HDMI RECEPTACLE VERTICAL SMT TYPE	
	DESIGNER MWLin		
	CHECKED Winder	DRAWING NO. R-S151V-17	REV 1
	APPROVED Peter		