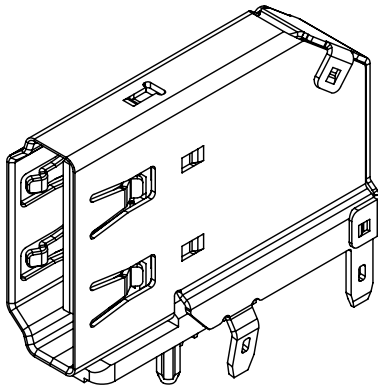
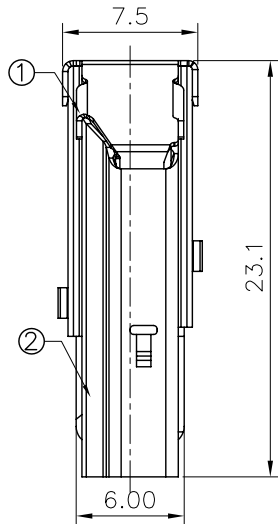
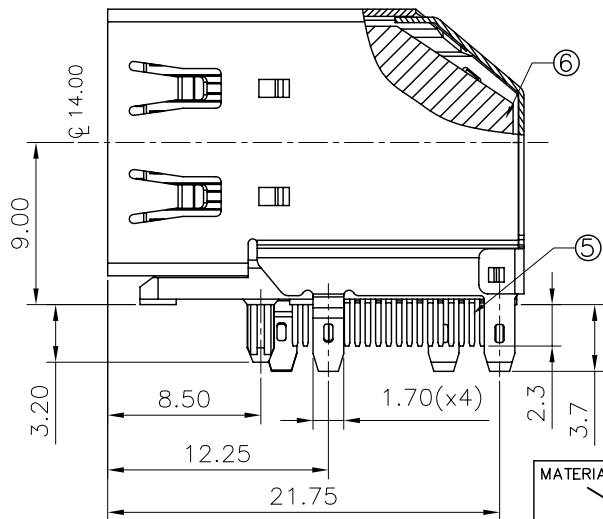
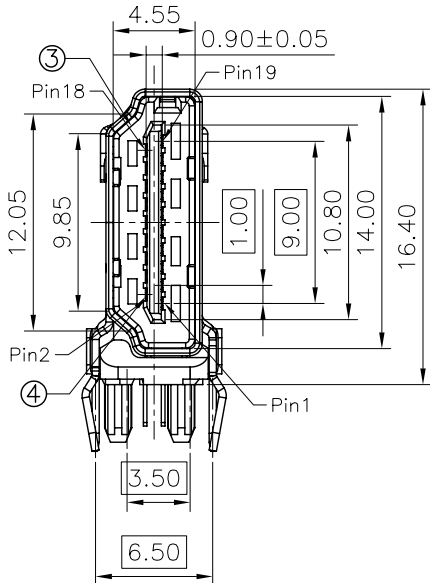


REV.	ZONE	LTR	DESCRIPTION	DATE	REVISER	APPD.
0.1			NEW DESIGN.	01/16.01	Bill_wy	



3D VIEW



PRELIMINARY

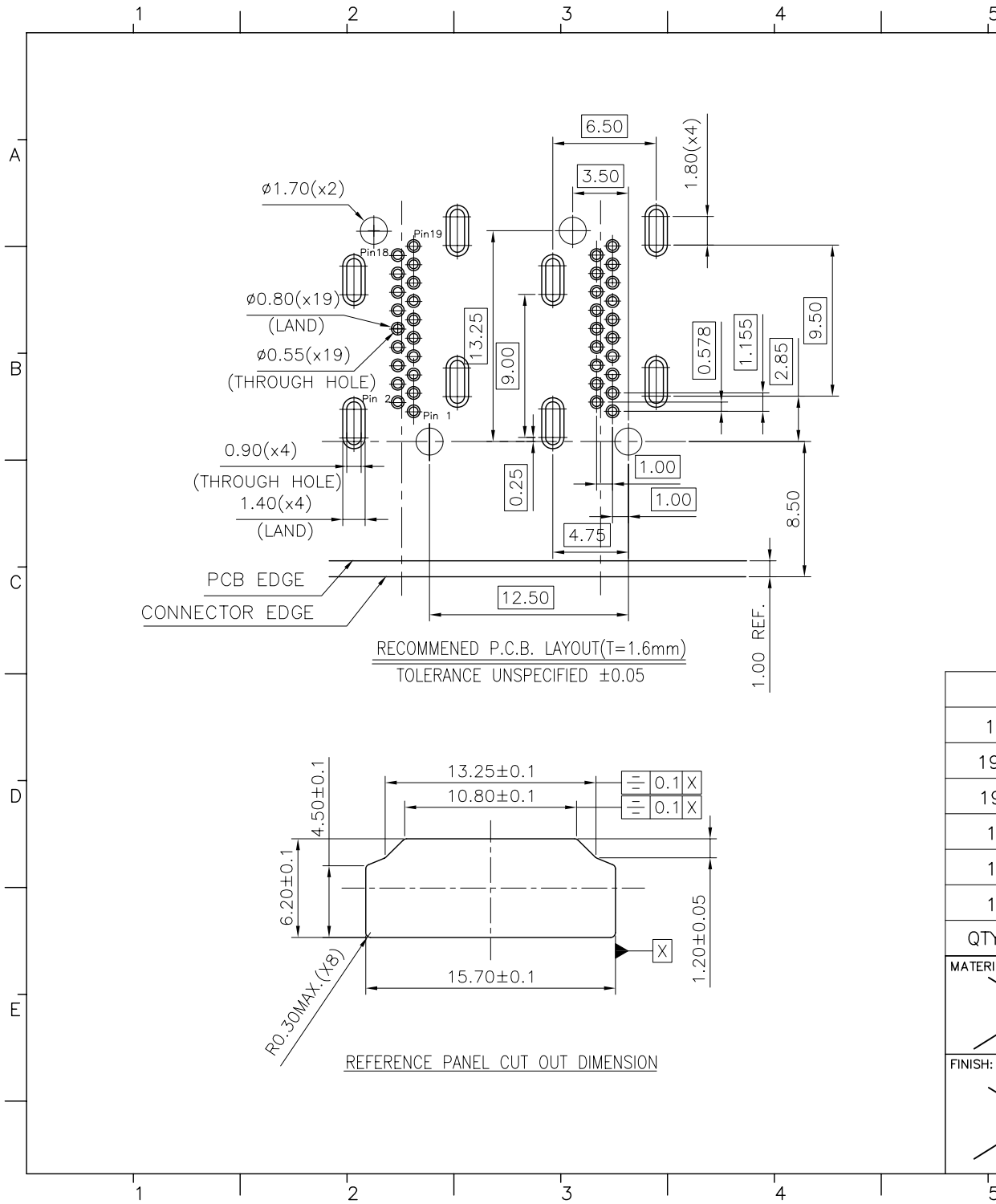
ORDERING INFORMATION

51 R 019 S - X X X X - X
 (1) (2) (3) (4) (5) (6) (7) (8) (9)

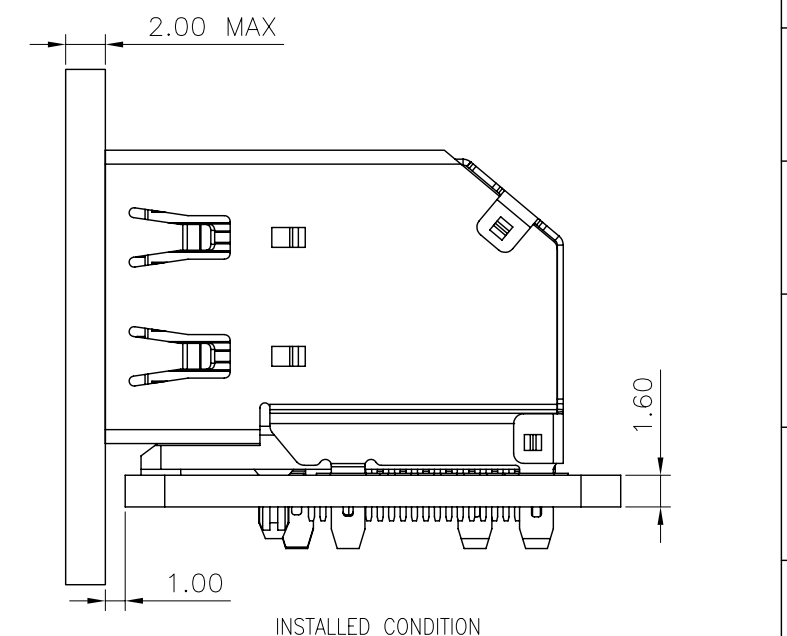
- SERIES NO.
51: HDMI CONNECTOR
- TAIL CONSTRUCTION TYPE
R: UP RIGHT TYPE
- NUMBER OF PIN
019: 19 POSITIONS
- CONTACT & CONNECTIONG TYPES:
S: SOCKET
- COLOR CODES
3: BLACK
- CONTACT PLATING:
0: GOLD FLASH OVER NICKEL
2: 15u" GOLD OVER NICKEL
3: 30u" GOLD OVER NICKEL
- SHELL PLATING
T: TIN PLATED(LEAD FREE)
N: SOLDERABLE NICKEL PLATED
- LOGO OPTIONAL NO.
A: HOUSING WITH LOGO
B: HOUSING WITHOUT LOGO
C: SHELL AND HOUSING WITH LOGO
- PACKAGING
P:PVC TRAY PACKAGE

RoHS compliant

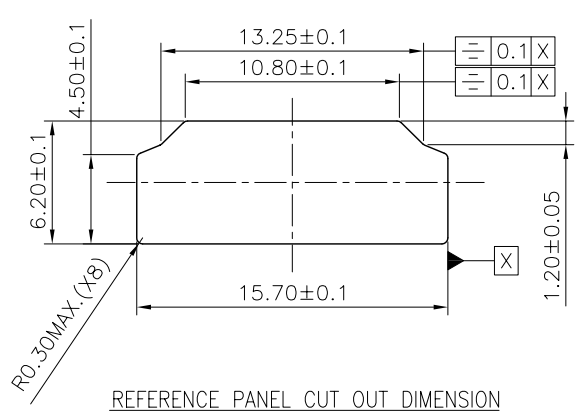
MATERIAL: 	TOLERANCE UNSPECIFIED: .000 ± 0.10 .00 ± 0.15 .0 ± 0.25 ± ANGLE ± 2°	FREEPORT RESOURCES ENTERPRISES CORP. SCALE: No UNIT: mm
	FINISH: 	
NAME: HDMI A TYPE RECEPTACLE UP-RIGHT REVERSE CONNECTOR CUSTOMER DRAWING		SHEET: 1/2
DRAWING NO.: R-S151R-01		REV.: 0.1



REV.	ZONE	LTR	DESCRIPTION	DATE	REVISER	APPD.
0.1			NEW DESIGN.	01/16.01	Bill_wy	



BOM OF 51 R 019 S - X X X X - X			
QTY'S	SPECIFICATION	PART	ITEM
1	FR-4	PCB	⑥
19	COPPER ALLOY	SHORT CONTACT	⑤
19	COPPER ALLOY	LONG CONTACT	④
1	THERMOPLASTIC UL94V-0	INSULATOR	③
1	COPPER ALLOY	SHELL	②
1	SPCC	BACK SHELL	①



MATERIAL:	TOLERANCE UNSPECIFIED: .0 0 0 ± 0.10 .0 0 ± 0.15 .0 ± 0.25 ± ANGLE ± 2°		
			SCALE: No UNIT: mm
FINISH:	DRAWN: Bill_wy 01/20.10	NAME: HDMI A TYPE RECEPTACLE	
	DESIGNER: Bill_wy 01/20.10	UP-RIGHT REVERSE CONNECTOR	
	CHECKED: Dimie 01/20.10	CUSTOMER DRAWING	
	APPROVED: Dimie 01/20.10	DRAWING NO.: R-S151R-01	SHEET: 2/2
		REV.: 0.1	