

RoHS compliant

REV	ZONE	LTR	DESCRIPTION	DATE	REVISER	APPD

ORDERING INFORMATION

51 U 019 S - 3 * S1 N - B (4) (R) - (B)
 (1) (2) (3) (4) (5) (6) (7) (8) (9) (10) (11) (12)

1. SERIES NO.
51: HDMI CONNECTOR
2. TAIL CONSTRUCTION TYPE
U: SMT TYPE
3. NUMBER OF PIN
019: 19 POSITIONS
4. CONTACT & CONNECTION TYPES:
S: SOCKET
: COLOR CODES
3: BLACK
6. CONTACT PLATING:
0: GOLD FLASH OVER NICKEL
2: 15u" GOLD OVER NICKEL
3: 30u" GOLD OVER NICKEL
7. SHELL CONSTRUCTION
S0: WITHOUT FLANGE AND WITHOUT TOP SPRING, SIDE SPRING IS REINFORCED, SOLDER TAIL IS THROUGH HOLE TYPE
S1: WITHOUT FLANGE AND WITH TOP SPRING, SIDE SPRING IS REINFORCED, SOLDER TAIL IS THROUGH HOLE TYPE
8. SHELL PLATING
T: TIN PLATED OVER NICKEL
N: NICKEL PLATED
L: 3u" GOLD PLATED OVER NICKEL
4: GOLD FLASH PLATED OVER NICKEL
9. SUFFIX NO.1
A: ONLY HOUSING WITH FREEPORT LOGO
B: WITHOUT FREEPORT LOGO
C: HOUSING AND SHELL WITH FREEPORT LOGO
10. SUFFIX NO.2
NONE: SHELL WITH RIB
4: SHELL WITHOUT RIB
11. SUFFIX NO.3
NONE: PVC TRAY PACKAGE
R: TAPE REEL PACKAGE
12. SUFFIX NO.4
NONE: SHELL MATERIAL IS PHOSPHOR BRONZE
B: SHELL MATERIAL IS BRASS

MATERIAL	TOLERANCE UNSPECIFIED		
	. . . ± . . . ±0.20 . . . ±0.25 . . . ± ANGLE ± 1°		
FINISH	DRAWN	SCALE	UNIT
	DESIGNER	1:1	mm
	CHECKED	NAME	
	APPROVED	HDMI RECEPTACLE SMT TYPE	
Winder 02/13.04 Winder 02/13.04 winder peter3/2'06		WITHOUT FLANGE AND WITH REINFORCED SIDE SPRING	
DRAWING NO.		SHEET	
R-S151U-24		1/2	
REV		REV	
1		1	

1

2

3

4

5

6

7

8

REV	ZONE	LTR	DESCRIPTION	DATE	REVISER	APPD

A

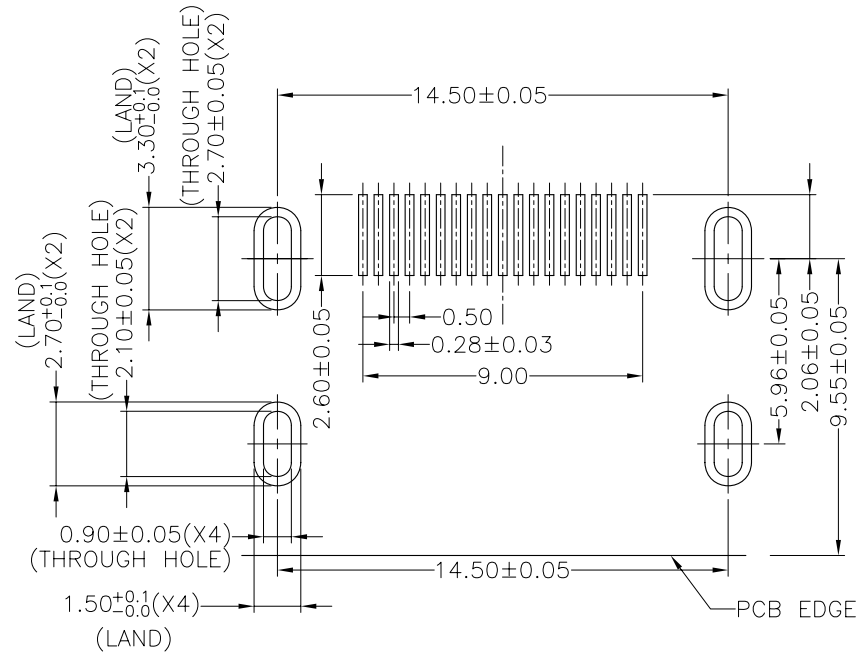
B

C

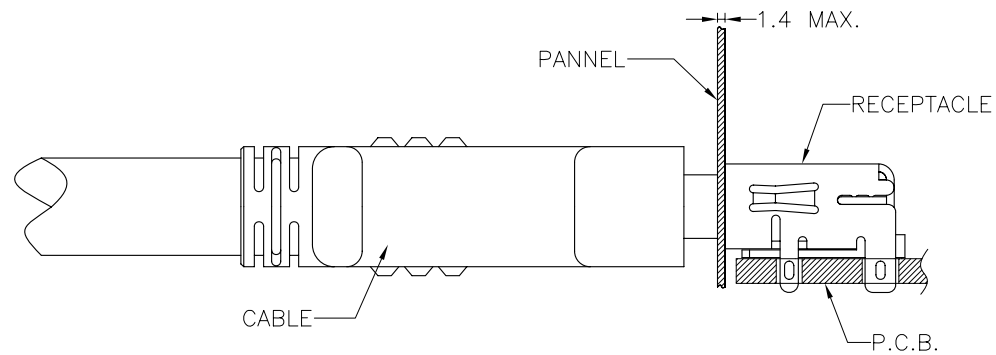
D

E

F

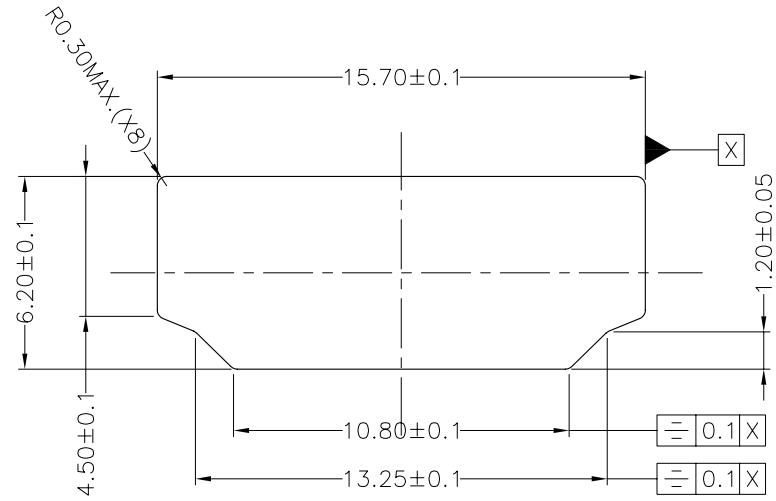


RECOMMENDED PCB LAYOUT (THICKNESS=1.6±0.15mm)



REFERENCE MOUNT DIMENSION

RoHS compliant



REFERENCE PANEL CUT OUT DIMENSION

REMARKS:

- MATERIAL:
 - HOUSING: HIGH TEMPERATURE THERMOPLASTIC UL 94V-0 RATED.
 - CONTACT: COPPER ALLOY
- PLATING:
 - CONTACT:
 - GOLD PLATED OVER NICKEL ON CONTACT AREA AND 100μ" MIN. TIN PLATED OVER NICKEL ON SOLDER TAILS
 - SHELL:
 - TIN PLATED OVER NICKEL OR NICKEL PLATED

MATERIAL	TOLERANCE UNSPECIFIED			SCALE	UNIT	SHEET
	± ±0.20 ±0.25 ± ± ANGLE ± 1°					
FINISH	DRAWN	NAME		DRAWING NO.		REV
	DESIGNER	HDMI RECEPTACLE SMT TYPE WITHOUT FLANGE AND WITH REINFORCED SIDE SPRING		R-S151U-24		1
	CHECKED	DRAWING NO.		REV		1
	APPROVED	R-S151U-24		REV		1

1

2

3

4

5

6

7

A4 RS151U242