

REV	ZONE	LTR	DESCRIPTION	DATE	REVISER	APPD

ORDERING INFORMATION

51 U 019 S - 3 * D N - A R
 (1) (2) (3) (4) (5) (6) (7) (8) (9) (10)

- SERIES NO.
51: HDMI CONNECTOR
- TAIL CONSTRUCTION TYPE
U: SMT TYPE
- NUMBER OF PIN
019: 19 POSITIONS
- CONTACT & CONNECTIONG TYPES:
S: SOCKET
- COLOR CODES
3: BLACK
- CONTACT PLATING:
0: GOLD FLASH OVER NICKEL
2: 15u" GOLD OVER NICKEL
3: 30u" GOLD OVER NICKEL
- SHELL CONSTRUCTION
D: LOW PROFILE,
WITH FLANGE AND SPRING LATCH
SHELL TAIL IS THROUGH HOLE TYPE
- SHELL PLATING
N: SOLDERABLE NICKEL PLATED
T: TIN PLATED
L: ALL 3u" GOLD PLATED
4: ALL GOLD FLASH PLATED
- SUFFIX NO.
A: WITH FREEPORT LOGO
B: WITHOUT LOGO
10: SUFFIX NO.2
NONE: WITH PVC TRAY PACKING
R: WITH TAPE REEL PACKING

RoHS Compliant

A

B

C

D

E

F

A

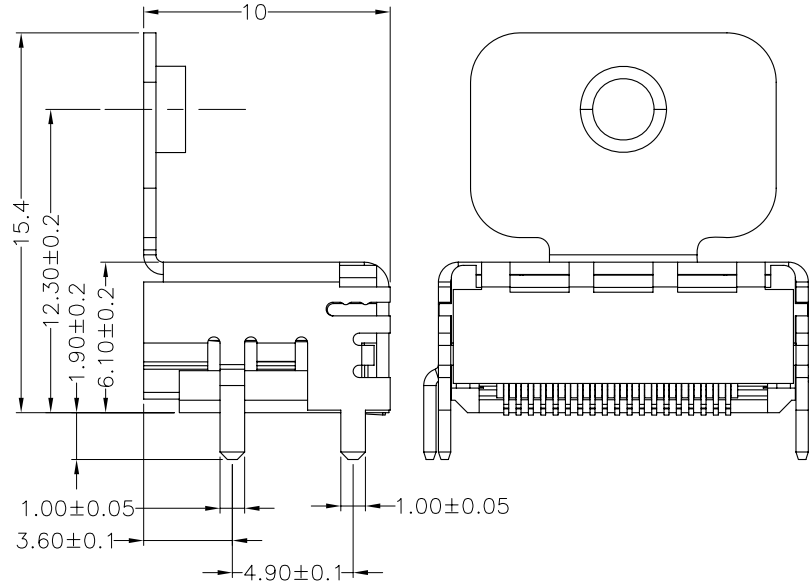
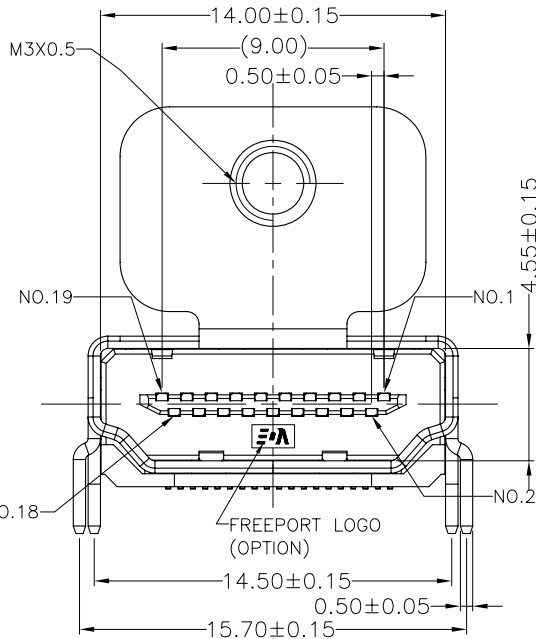
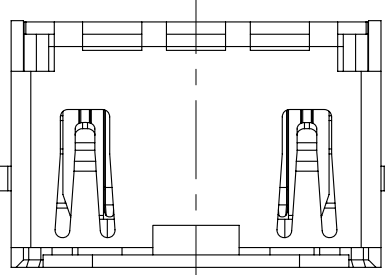
B

C

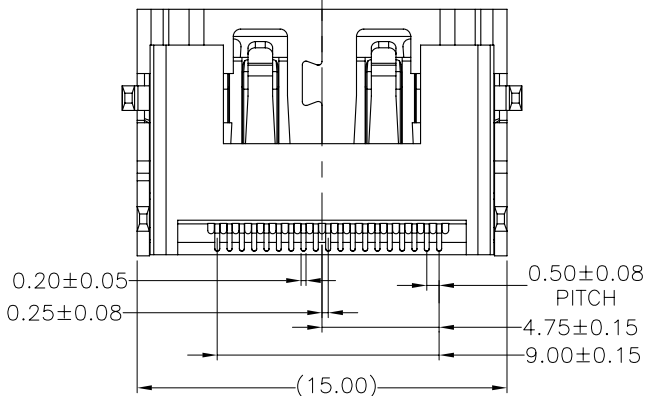
D

E

F



REMARKS:
COPLANARITY OF SMT TERMINAL IS 0.10 MAX.

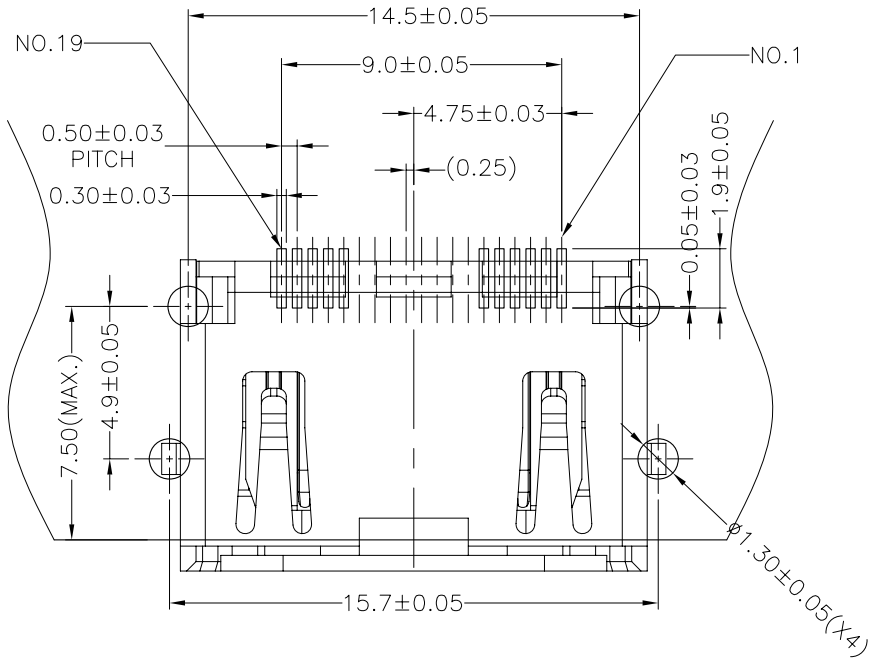


PART NO.

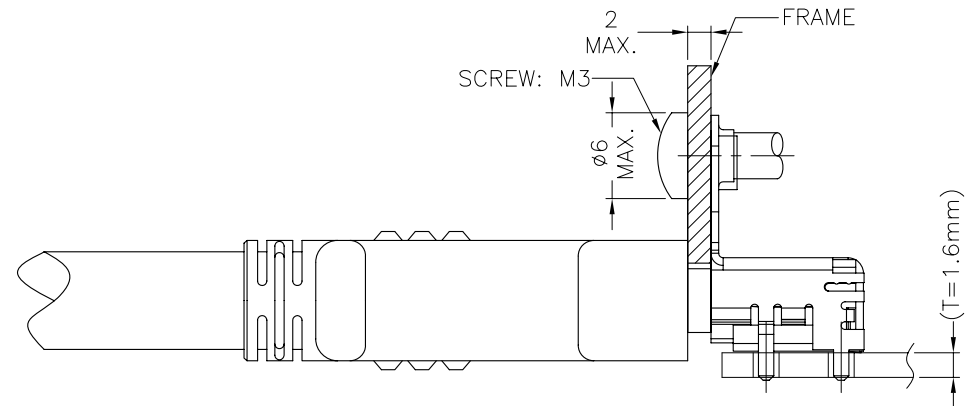
MATERIAL	TOLERANCE UNSPECIFIED			SCALE	UNIT
	± . . . ±0.25 . . . ±0.38 . . . ±0.8 . . . ±1* ANGLE ±1*			1:1	mm
FINISH	DRAWN	NAME		SHEET	
	DESIGNER	HDMI RECEPTACLE SMT TYPE		1/2	
	CHECKED	WITH FLANGE LOW PROFILE		REV	
APPROVED	Mary 07/18/06 Winder Peterhu	DRAWING NO.	R-S151U-38	1	

A4 RS151U381

REV	ZONE	LTR	DESCRIPTION	DATE	REVISER	APPD



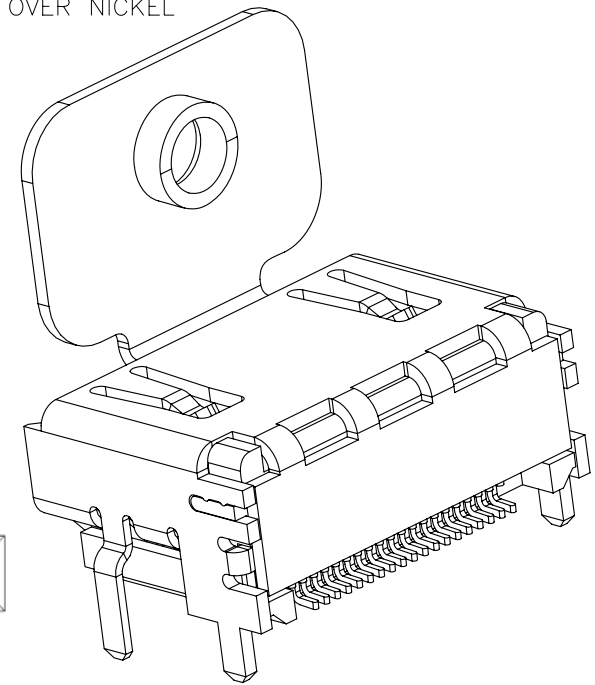
RECOMMENDED PCB LAYOUT (THICKNESS=1.6±0.15mm)



REFERENCE MOUNT DIMENSION

REMARKS:

- 1. MATERIAL:
 - 1.1 HOUSING: HIGH TEMPERATURE THERMOPLASTIC UL 94V-0 RATED
 - 1.2 CONTACT: COPPER ALLOY
- 2. PLATING:
 - 2.1 CONTACT: GOLD PLATED OVER NICKEL ON CONTACT AREA AND 100u" MIN. TIN PLATED OVER NICKEL ON SOLDER TAILS
 - 2.2 SHELL: SOLDERABLE NICKEL PLATED OR TIN OR GOLD PLATED



RoHS Compliant

MATERIAL		TOLERANCE UNSPECIFIED		PART NO.	
/		±			
		±0.25			
/		±0.38		SCALE 1:1	
		±0.8		UNIT mm	
FINISH		ANGLE ± 1°		DRAWN Mary 07/18/06	
/		DRAWN		NAME	
		DESIGNER Mary 07/18/06		HDMI RECEPTACLE SMT TYPE WITH FLANGE LOW PROFILE	
		CHECKED Winder		SHEET 2/2	
APPROVED Peterhu		DRAWING NO. R-S151U-38		REV 1	
				A4 RS151U382	