

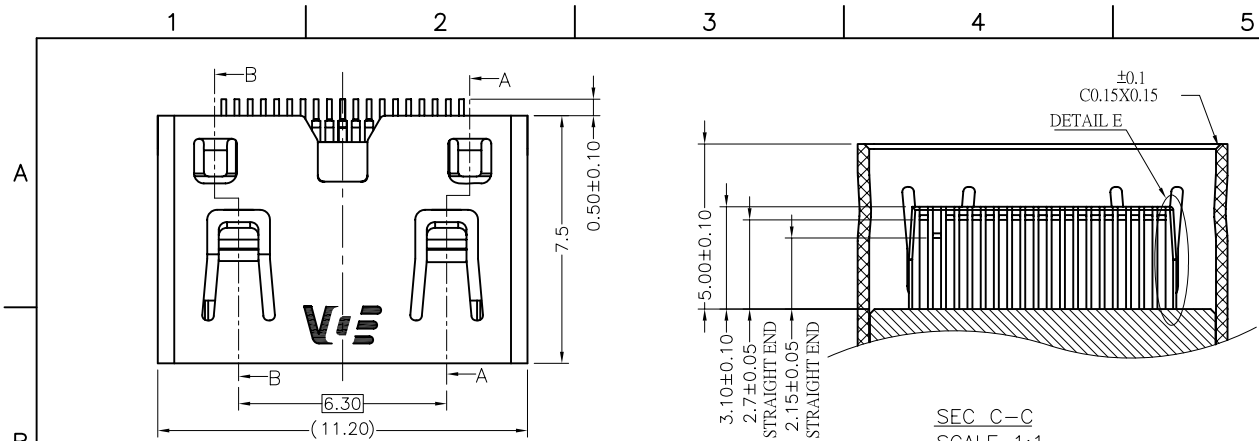
REV	ZONE	LTR	DESCRIPTION	DATE	REVISOR	APPD
0.2	C6	▲	CHANGE SHELL PLATING	10/13.06	Vijay	

ORDERING INFORMATION

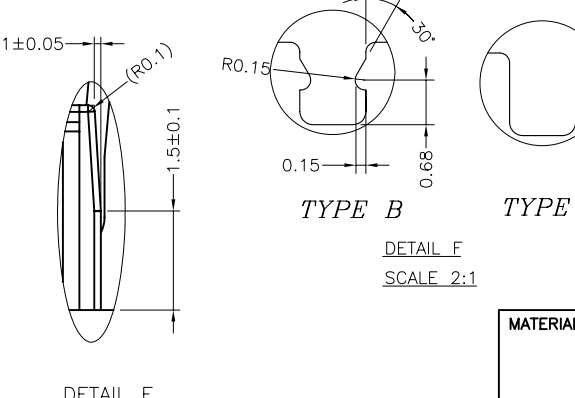
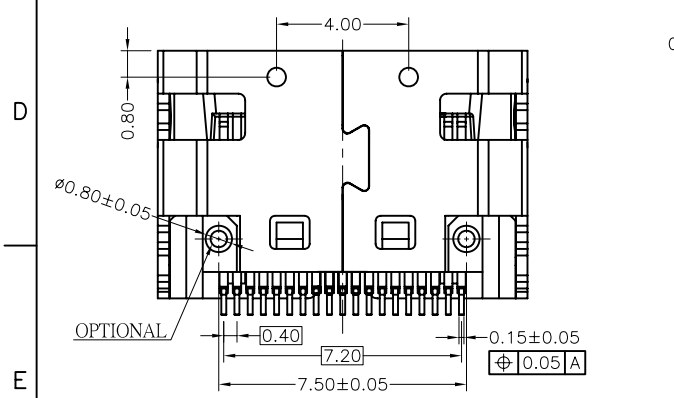
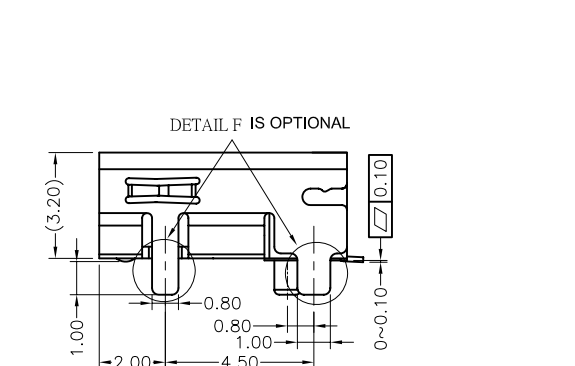
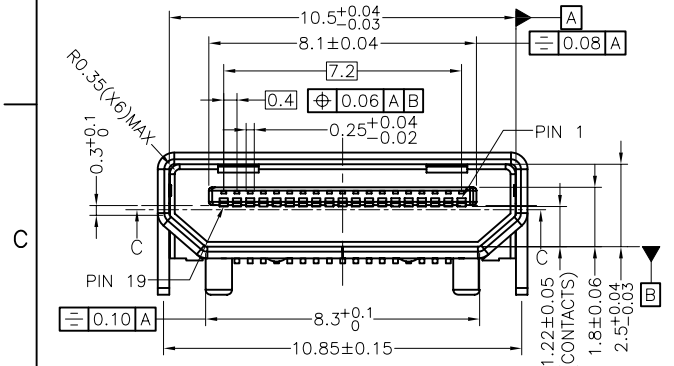
60 U 019 S- 3 * 0 * - B *
 (2) (3) (4) (5) (6) (7) (8) (9) (10)

- SERIES NO.
60: HDMI CONNECTOR, TYPE C
- TAIL CONSTRUCTION TYPE
U: SMT TYPE
- NUMBER OF PIN
019: 19 POSITIONS
- CONTACT & CONNETING TYPE
S: SOCKET
- COLOR CODES:
3: BLACK
- CONTACT PLATING
4: GOLD FLASH PLATED OVER 30u" NICKEL UNDERPLATING
5: 15u" GOLD PLATED IN CONTACT AREA AND GOLD FLASH PLATED IN SOLDER AREA OVER 50u" NICKEL UNDERPLATING
6: 30u" GOLD PLATED IN CONTACT AREA AND GOLD FLASH PLATED IN SOLDER AREA OVER 50u" NICKEL UNDERPLATING
- SHELL CONSTRUCTION
0: SOLDER TAIL IS TYPE A & THROUGH HOLE TYPE
1: SOLDER TAIL IS TYPE B & THROUGH HOLE TYPE
- SHELL PLATING
N: SOLDERABLE NICKEL PLATED
▲ L: 3u" GOLD MINI ALL PLATED
- SUFFIX NO.1
A: WITH FREEPORT LOGO
B: WITHOUT LOGO
- SUFFIX NO.2
0: HOUSING WITHOUT POST
1: HOUSING WITH POST

RoHS Compliant



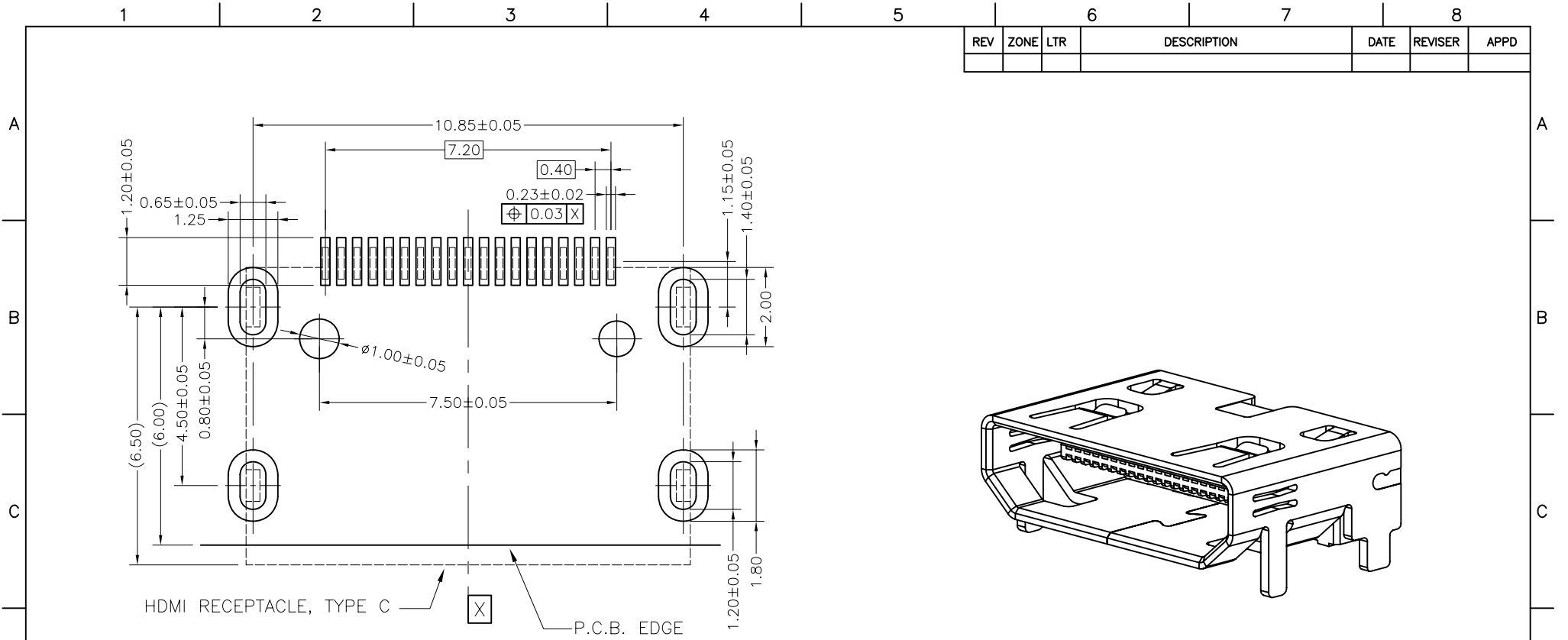
SEC C-C SCALE 1:1



DETAIL E SCALE 2:1

MATERIAL	TOLERANCE UNSPECIFIED	FREEPORT	
	± ±0.15 ±0.20 ±0.30		
FINISH	DRAWN	NAME	
	DESIGNER	HDMI RECEPTACLE, TYPE C	
	CHECKED	PITCH 0.40 SMT TYPE	
	APPROVED	DRAWING NO. R-S160U-0	SHEET 1/2

REV	ZONE	LTR	DESCRIPTION	DATE	REVISER	APPD



HDMI RECEPTACLE, TYPE C X P.C.B. EDGE

RECOMMENDED PCB LAYOUT

SPECIFICATIONS

OPERATING CURRENT: 0.5A MAX.
 OPERATION TEMPERATURE: -25°C TO +85°C
 DIELECTRIC WITHSTANDING VOLTAGE:
 500Volts AC BETWEEN ADIACENT TERMINAL(UNMATE)
 300Volts AC BETWEEN ADIACENT TERMINAL(MATE)
 INSULATION RESISTANCE:
 100Mohm MIN.(UNMATED);10Mohm MIN.(MATED)

RoHS Compliant

MATERIAL 	TOLERANCE UNSPECIFIED		
	± ±0.15 ±0.20 ±0.30 ANGLE ± 1°	 SCALE 1:1	UNIT mm
FINISH 	DRAWN <i>ession</i> 08/13.06	NAME HDMI RECEPTACLE, TYPE C PITCH 0.40 SMT TYPE	
	DESIGNER <i>ession</i> 08/13.06		
	CHECKED	DRAWING NO. R-S160U-0	
	APPROVED		
		7	A4 RS160U02