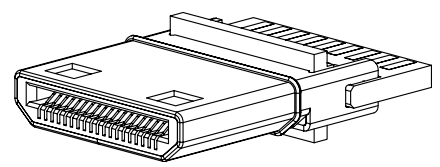
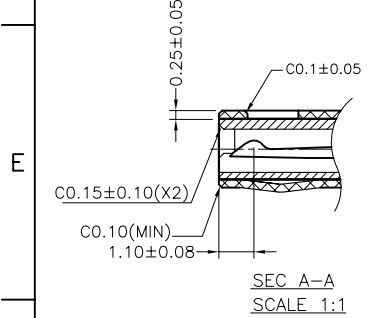
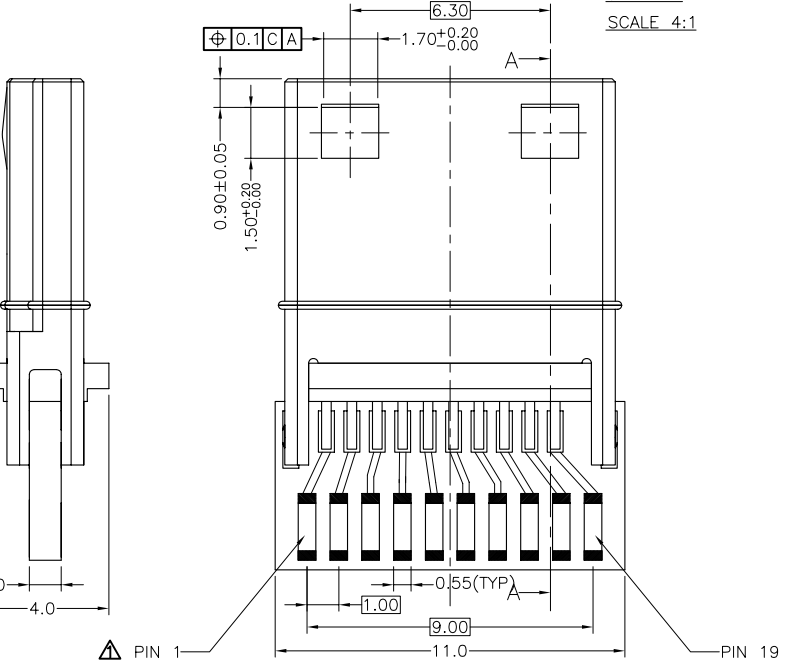
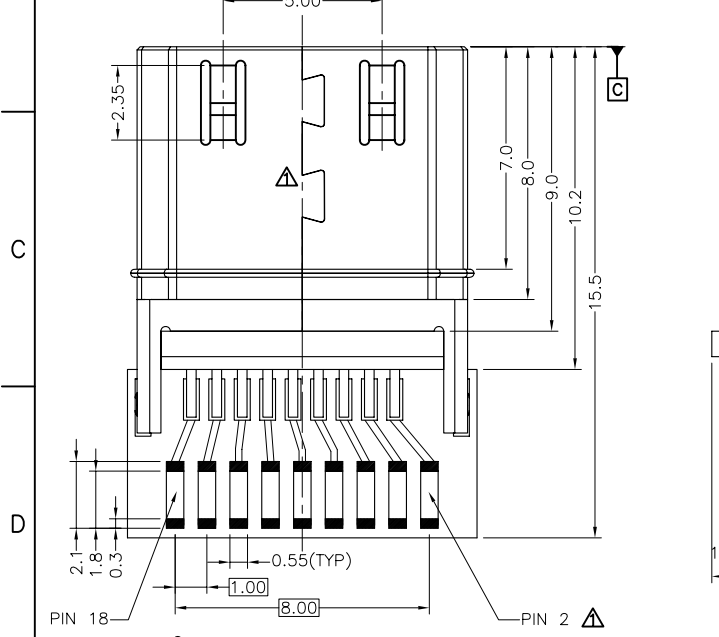
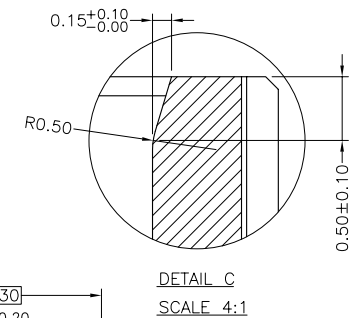
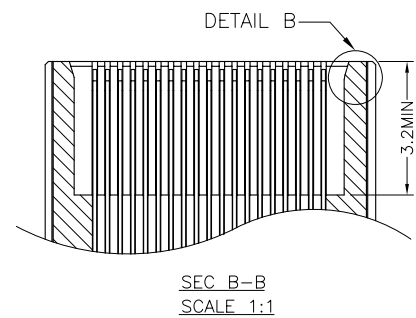
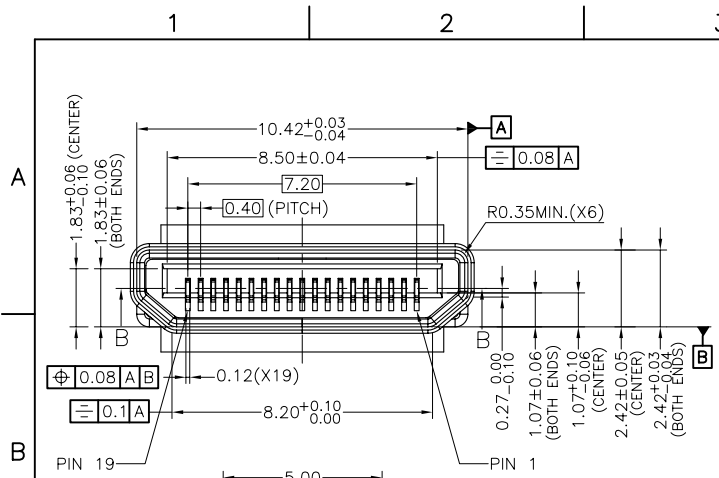


REV	ZONE	LTR	DESCRIPTION	DATE	REVISER	APPD
0.2		△	MODIFY THE PCB'S ASSIGNMENT	09/18.06	HIXING	
0.3		△	MODIFY ORDERING INFORMATION	10/12.06	HIXING	



RoHS Compliant

ORDERING INFORMATION

60 S 019 P- 3 * 1 * - B
 (1) (2) (3) (4) (5) (6) (7) (8) (9)

- SERIES NO.
- TAIL CONSTRUCTION TYPE
- NUMBER OF PIN
- CONTACT & CONNETING TYPE
- COLOR CODES:
- CONTACT PLATING
- SHELL CONSTRUCTION
- SHELL PLATING
- SUFFIX NO.

SPECIFICATIONS

SPECIFICATIONS
 OPERATING CURRENT: 0.5A MAX.
 OPERATION TEMPERATURE: -25°C TO +85°C
 DIELECTRIC WITHSTANDING VOLTAGE:
 500Volts AC BETWEEN ADIACENT TERMINAL(UNMATE)
 300Volts AC BETWEEN ADIACENT TERMINAL(MATE)
 INSULATION RESISTANCE:
 100Mohm MIN.(UNMATED);10Mohm MIN.(MATED)

MATERIAL	TOLERANCE UNSPECIFIED			SCALE	UNIT
	± ±0.20 ±0.30 ±0.40 ANGLE ± 1°				
FINISH	DRAWN	NAME		SHEET	
	DESIGNER	HDMI PLUG, TYPE C			
	CHECKED	PITCH 0.40 SOLDER TYPE			
APPROVED	DRAWING NO.		REV		
	R-S160S-1		0.3		