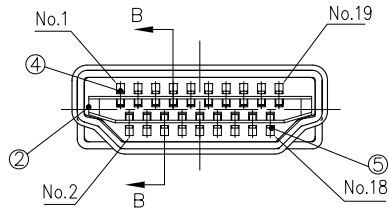


REV.	ZONE	LTR	DESCRIPTION	DATE	REVISER	APPD
2	C6	△	鐵殼電鍍碼"L"變更為"4"	12/1.05	XIEQIHAN	
3	D6	△	增加鐵殼電鍍碼"L"	1/2.06	ZW	
4	D6	△	MODIFY ORDERING INFORMATION	07/21/06	Mary	

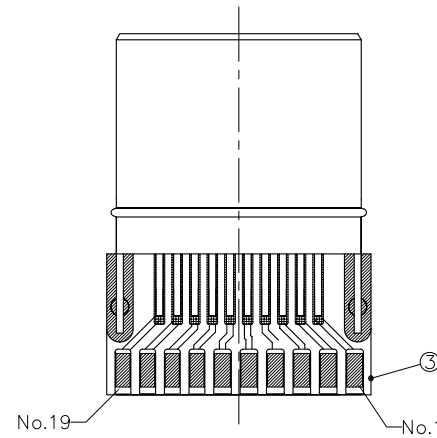
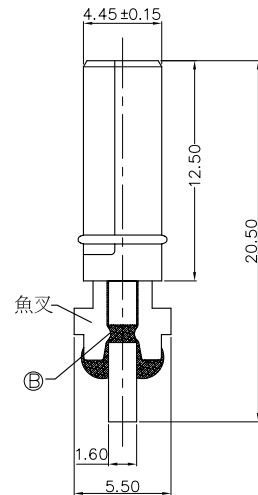
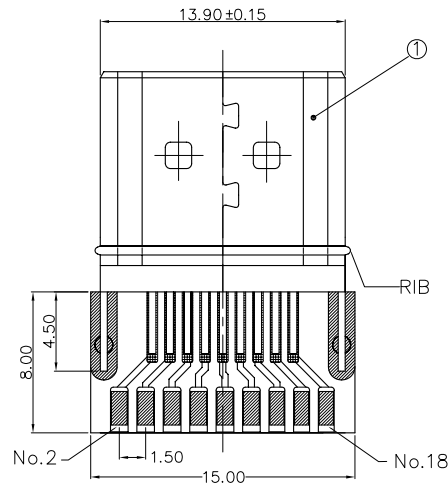


RoHS Compliant

ORDERING INFORMATION:

51S 019 P - 3 * * H - E1
 (1) (2) (3) (4) (5) (6) (7) (8)

- (1) SERIES NUMBER:
51S : HDMI MALE CONNECTOR, SOLDER TYPE
- (2) NO. OF POSITION:
019 :19POSITIONS
- (3) CONTACT &CONNECTING TYPES:
P : PLUG
S : SOCKET
- (4) COLOR CODES:
3 :BLACK
- (5) PLATING OF CONTACT :
0 : GOLD FLASH OVER NICKEL
2 : 15u" GOLD OVER NICKEL
3 : 30u" GOLD OVER NICKEL
- (6) PLATING OF SHELL :
N : Ni PLATING
△L : Au:3u"Min.ALL PLATING
△4 : GOLD FLASH. ALL PLATING
5 : Au:15u"Min.ALL PLATING
- (7) SHELL CONSTRUCTION TYPE:
H : WITH RIB AND HARPOON PROFILE FOR SHELL
- (8) SUFFIX NO. :
△ E1 : WITHOUT COVER AND WITH 1.50 PITCH
PCB(P/N: Y051S003)



NOTE:

- 1. MECHANICAL :
 - 1.1 INSERTION FORCE :44.1 N MAX
 - 1.2 WITHDRAWAL FORCE :9.8 N MIN.
- 2. ELECTRICAL :
 - 2.1 CONTACT CURRENT RATING: 0.5A MIN.
 - 2.2 VOLTAGE RATING :40V AC (rms)
 - 2.3 WITHSTANDING VOLTAGE: 500 VAC FOR 1 MINUTE.
 - 2.4 INSULATION RESISTANCE: 100 MEGAOHMS MIN.
 - 2.5 CONTACT RESISTANCE: 30 MILLIOHMS MAX.
- 3. ENVIRONMENTAL :
 - 3.1 OPERATING TEMPERATURE: -25° C TO +85° C

⑤	CONTACT 2	1	COPPER ALLOY	GOLD PLATED OVER NICKEL
④	CONTACT 1	18	COPPER ALLOY	GOLD PLATED OVER NICKEL
③	PC BOARD	1	FR-4	
②	HOUSING	1	THERMOPLASTIC	UL94V-0
①	SHELL	1	COPPER ALLOY	GOLD, OR NICKEL PLATING
ITEM	PART NAME	Q'TY/PCS	MATETIALS	NOTE

XXXXXXXXXX	TOLERANCE UNSPECIFIED	FREEPORT	SCALE NONE	UNIT MM
	.000 ± .00 ±0.25 .0 ±0.38 ± ANGLE ±2°			
XXXXXXXXXX	Draw	NAME		SHEET
	Designer	HDMI MALE CONNECTER		1/1
	Checked	(WITH PCB)		
	Approved	Drawing No. R-S151S-10		REV. 4