

REV	ZONE	LTR	DESCRIPTION	DATE	REVISER	APPD
-----	------	-----	-------------	------	---------	------

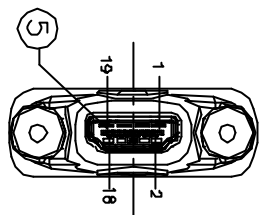
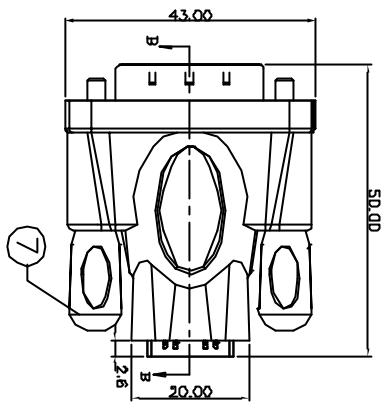
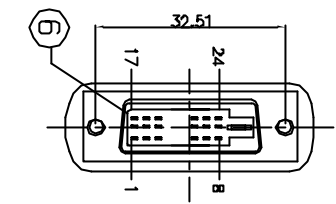
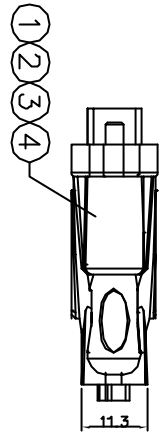
ORDERING INFORMATION:

19 0116 - * * * - *
 (1) (2) (3) (4) (5) (6)
 (1) SERIES NUMBER:
 19 : Adapter Series

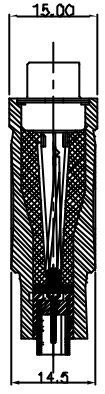
(2) SEQUENCE NO.
 0116(EX: 01001-01999):HDMI(FEMALE) TO DVI(MALE) ADAPTER
 (3) OUTER MOLDING COLOR CODES:
 3 : BLACK 7 : RED B : YELLOW X : LIGHT BLUE(PANTONE7541G)
 (4) PLATING OF SHELL :
 1 : DVI AND HDMI BOTH PLATED GOLD
 2 : DVI AND HDMI BOTH PLATED NI
 (5) SUFFIX NO. :
 A:24+1 DVI CONNECTOR
 B:18+1 DVI CONNECTOR
 (6) SUFFIX NO. :
 NONE:NORMAL TYPE
 D:WITH MOLDING THUMBSCREW PLATED G/F

ELECTRICAL CHARACTER:

- CURRENT RATING: DC 1A
- WITHSTANDING VOLTAGE:DC 300V
- INSULATION RESISTANCE: 50M Ω (MIN)
- CONDUCTIVE RESISTANCE:2 Ω m(MAX)



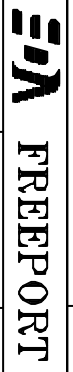
LEAD FREE



PIN ASSIGNMENT:

DVI CONN.	HDMI 19P CONN.	DVI CONN.	HDMI 19P CONN.
1	3 (TMDS Data 2-)	14	18(+5V Power)
2	1 (TMDS Data 2+)	15	17(Ground)
3	2 (TMDS Data 2 Shield)	6	15(DDC Clock)
9	6 (TMDS Data 1-)	7	16(DDC Data)
10	4 (TMDS Data 1+)	16	19(Hot Plug Detect)
11	5 (TMDS Data 1 Shield)		SHELL
17	9 (TMDS Data 0-)		SHELL
18	7 (TMDS Data 0+)		
19	8 (TMDS Data 0 Shield)		
24	12 (TMDS Clock -)		
23	10 (TMDS Clock +)		
22	11 (TMDS Clock Shield)		

ITEM	PART NAME	SPEC DESCRIPTION	REMARK
7	SCREW	THUMBSCREW 4#-40UNC.L=44.8MM.	
6	DVI CONN	DVI CONN. MALE 18U"/AU SOLDER FOR MOLDING TYPE	
5	HDMI CONN	HDMI CONN. 19P A TYPE FEMALE SOLDER TYPE	
4	PVC	PVC: 45P ρ BLACK(OPTIONAL)	
3	FE	FE LOW DENSITY	
2	WIRE	UL1007 28#(7C/D.127TS) BLACK OD:1.2MM	
1	CABLE	UL20276 28AWG*1PR+DRAIN WIRE+FREE EDGE AL/MYLAR*4+28AWG*1P+28AWG*5C+AL/MYLAR+ BRAID OD:7.3 BLACK IMPEDANCE:100 Ohm	



MATERIAL	TOLERANCE UNSPECIFIED
	± 0.38
	± 0.50
	$\pm 1^\circ$

NAME	SCALE	NONE	UNIT	MM
HDMI(FEMALE) TO DVI(MALE) ADAPTER				

FINISH	APPROVED	DRAWING NO.	REV
		1901116-1	1.0

1 2 3 4 5 6 7 8

A B C D E F