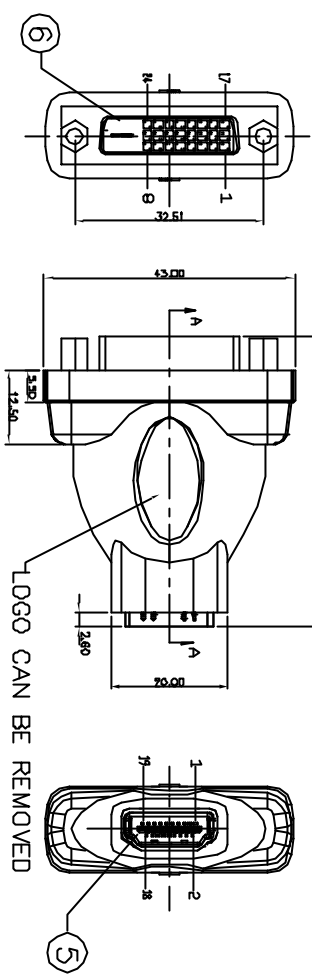
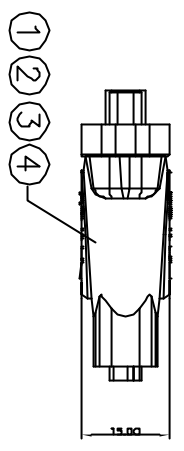
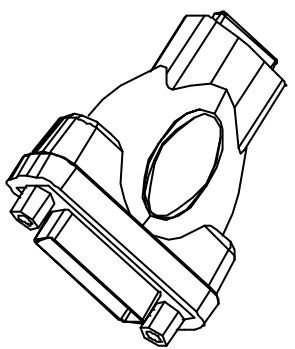


REV	ZONE	LTR	DESCRIPTION	DATE	REVISER	APPD

ORDERING INFORMATION:

- 19 01118 - 3 1 A
- (1) (2) (3) (4) (5)
- (1) SERIES NUMBER:
- 19 : Adapter Series
- (2) SEQUENCE NO.
- 0117(EX: 01001-01999):HDMI(FEMALE) TO DVI(FEMALE) ADAPTER
- (3) OUTER MOLDING COLOR CODES:
- 3 : BLACK 7 : RED 9 : YELLOW
- (4) PLATING OF SHELL :
- 1 : DVI AND HDMI BOTH PLATED GOLD
- 2 : DVI AND HDMI BOTH PLATED NI
- (5) SUFFIX NO. :
- A: 24+1 DVI CONNECTOR
- B: 18+1 DVI CONNECTOR



PIN ASSIGNMENT:

DVI18+1 CONN. HDMI 19P CONN. DVI18+1 CONN. HDMI 19P CONN.

- | | | | |
|----|------------------------|--|----------------------|
| 1 | 3 {TMDS Data 2-} | 14 | 18 (+5V Power) |
| 2 | 1 {TMDS Data 2+} | 15 | 17 (Ground) |
| 3 | 2 {TMDS Data 2 Shield} | 6 | 15 (DDC Clock) |
| 9 | 6 {TMDS Data 1-} | 7 | 16 (DDC Data) |
| 10 | 4 {TMDS Data 1+} | 8 | 13 (CEC) |
| 11 | 5 {TMDS Data 1 Shield} | 16 | 19 (Hot Plug Detect) |
| 17 | 9 {TMDS Data 0-} | SHELL | SHELL |
| 18 | 7 {TMDS Data 0+} | ELECTRICAL CHARACTER:
1. CURRENT RATING: DC 1A
2. WITHSTANDING VOLTAGE: DC 300V/DC
3. INSULATION RESISTANCE: 50MΩhm
4. CONDUCTIVE RESISTANCE: 2 Ohm | |
| 19 | 8 {TMDS Data 0 Shield} | | |
| 24 | 12 {TMDS Clock -} | | |
| 23 | 10 {TMDS Clock +} | | |
| 22 | 11 {TMDS Clock Shield} | | |

LEAD FREE & Rohs Compliant

6	DVI CONN.	DVI 24+1 CONN. FEMALE FOR SOLDER TYPE CONTACT SELECTIVE PLATED 150" GOLD			
5	HDMI CONN.	HDMI CONN. 19P A TYPE FEMALE FOR SOLDER TYPE CONTACT SELECTIVE PLATED 500" GOLD			
4	OUTER MOLDING	PVC: 45Pa BLACK(OPTIONAL)			
3	INNER MOLDING	PE			
2	WIRE	UL1007 28#(7C/0.127TS) BLACK OD:1.2MM			
1	ROUND CABLE	UL20276 28AWG*1PR+DRAIN WIRE+FREE EDGE AL/MYLAR*4+28AWG*1P+28AWG*5C+AL/MYLAR+ BRAID OD: 7.3 BLACK IMPEDANCE:100 Ohm			
ITEM		PART NAME	SPEC DESCRIPTION	REMARK	
MATERIAL		TOLERANCE UNSPECIFIED			
FINISH		± 0.38 ± 0.50 $\pm 1^\circ$			
DRAWN		NAME		SCALE	UNIT
DESIGNER		HDMI(FEMALE) TO DVI(FEMALE) ADAPTER		NONE	MM
CHECKED		DRAWING NO. 1901118-2			
APPROVED		SHEET 1/1		REV 0.1	

