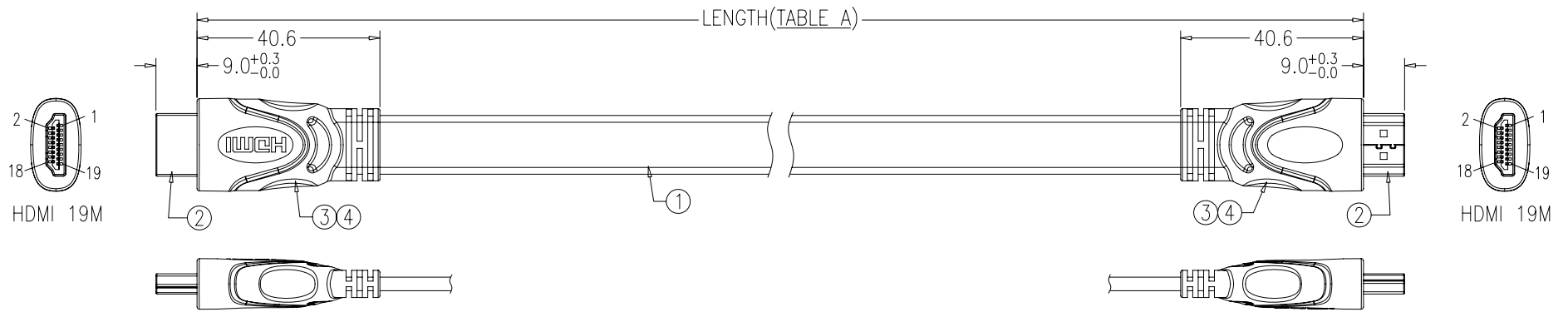


1		2		3		4		5		6		7		8	
CUSTOMER	CUST P/N	FREEPORT P/N				REV	ZONE	LTR	DESCRIPTION			DATE	REVISER	APPD	

A
B
C
D
E
F

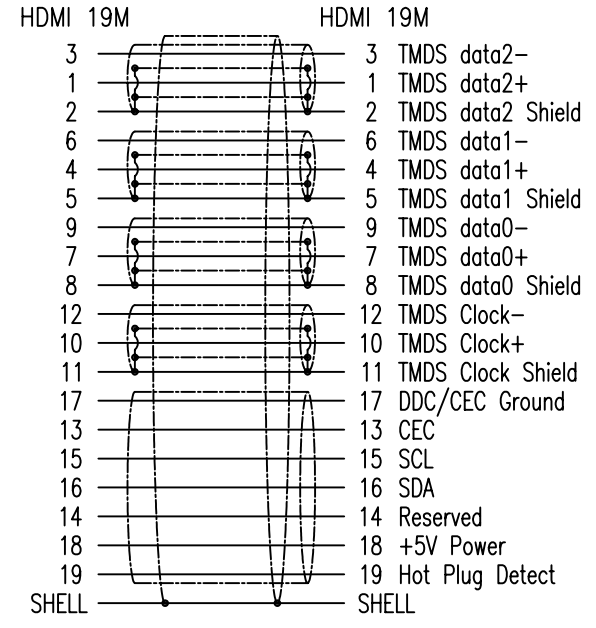


- ELECTRICAL CHARACTER:**
- 100% OPEN&SHORT TESTING
 - WITHSTANDING VOLTAGE:DC 300V 0.01Sec
 - INSULATION RESISTANCE:10M Ohm(Min)
 - CONDUCTIVE RESISTANCE:3 Ohm(Max)

TABLE A

FREEPORT P/N	LENGTH
18-9319****	500±20mm
18-9319****	750±20mm
18-9319****	1000±20mm
18-9319****	1500±20mm
18-9319****	2000±40mm
18-9319****	3000±60mm
18-9319****	5000±100mm

PIN ASSIGNMENT:



RoHS Compliant

4	OVERMOLD	PVC 70Pa UL94V-0											
3	INNERMOLD	PE LOW DENSITY											
2	HDMI	HDMI 19P/M 30U"/AU BLACK SHELL G/F PLATED SOLDER TYPE WITH P.C.B(PH1.27)											
1	HDMI CABLE	UL20276(2C*28AWG+2D+AL+MYLAR+B)*4C+(7C*30#+D+AL)*1C OD3.0*13.0mm PVC JACKET Impedance:100ohm											
NO.	PART NAME	SPEC DESCRIPTION	REMAKE										
MATERIAL		TOLERANCE UNspecified	FREEPORT										
FINISH		ANGLE											
		<table border="1"> <tr> <td>±</td> <td rowspan="5" style="text-align: center;">/</td> </tr> <tr> <td>±</td> </tr> <tr> <td>±</td> </tr> <tr> <td>±</td> </tr> <tr> <td>±</td> </tr> </table>	±	/	±	±	±	±	<table border="1"> <tr> <td>SCALE</td> <td>NON</td> <td>UNIT</td> <td>mm</td> </tr> </table>	SCALE	NON	UNIT	mm
±	/												
±													
±													
±													
±													
SCALE	NON	UNIT	mm										
		DRAWN: Daniel	NAME										
		DESIGNER:											
		CHECKED:	HDMI A-A Cable(Flat 28#)										
		APPROVED:											
		DRAWING NO.	SHEET										
		18-9319****	1/1										
			REV										
			1.0										