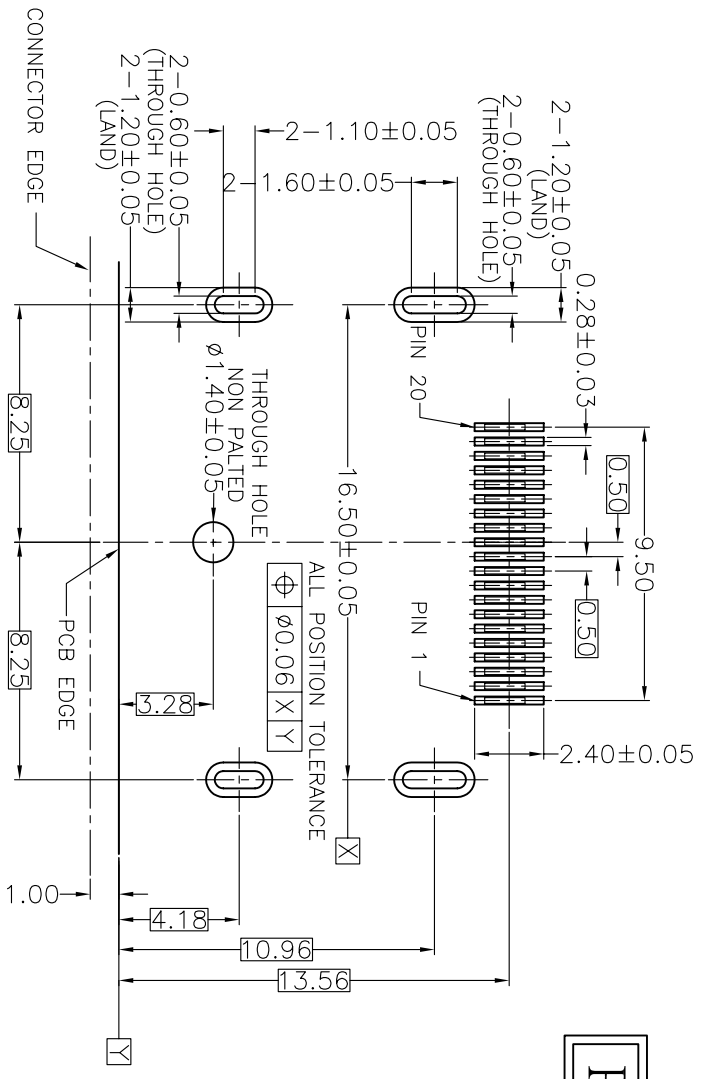
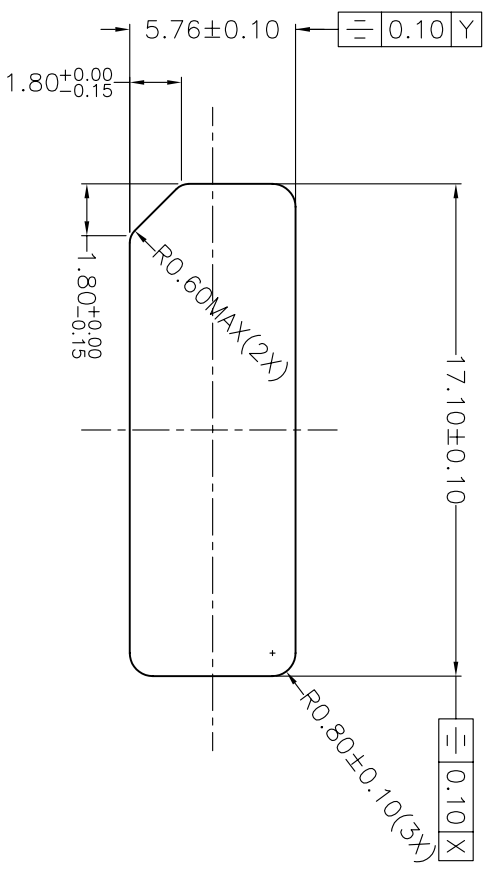


REV	ZONE	LTR	DESCRIPTION	DATE	REVISER	APPD

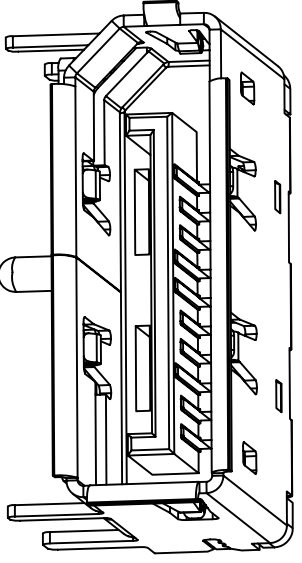
PRELIMINARY



RECOMMENDED PCB LAYOUT (THICKNESS=1.6±0.15mm)



REFERENCE PANEL CUT OUT DIMENSIONS



REMARKS:
THE ▼ MARKER DIMENSIONS ARE IMPORTANT AND MUST BE CONTROLLED BY QC

TOLERANCE UNSPECIFIED		NAME	
±	±	EVA FREEPORT	
±0.10	±0.15	DISPLAYPRT RECEPTACLE	
±	±	SMT TYPE	
± 1°	± 1°	DRAWING NO. R-S162U-0	
ANGLE	± 1°	REV 0.1	
DRAWN	± 1°	SHEET	
DESIGNER	06/07/07	2/2	
CHECKED	06/07/07	REV 0.1	
APPROVED		DRAWING NO. R-S162U-0	

A
B
C
D
E
F

1 2 3 4 5 6 7

1 2 3 4 5 6 7

A
B
C
D
E
F