

REV.	ZONE	LTR	DESCRIPTION	DATE	REVISER	APPD
0.2	B5.D4	△	成品增加PCB板可選	03/10-08	Freeqin	

ORDERING INFORMATION:

62S 020 S - 3 * A N E - A

(1) (2) (3) (4) (5) (6) (7)(8) (9)

(1) SERIES NUMBER:

62S : DISPLAYPORT CONNECTOR, SOLDER TYPE

(2) ND. OF POSITION:

020 : 20POSITIONS

(3) CONTACT &CONNECTING TYPES:

S : SOCKET(RECEPTACLE)

(4) COLOR CODES:

3 : BLACK

(5) PLATING OF CONTACT :

0 : GOLD FLASH OVER NICKEL

2 : 15u"GOLD OVER NICKEL

3 : 30u"GOLD OVER NICKEL

(6): SHELL CONSTRUCTION

A: WITHOUT FLANGE AND WITHOUT FEET

(7) PLATING OF SHELL :

L: GOLD PLATED OVER NICKEL

N: NICKEL PLATED

(8) SUFFIX ND1. :

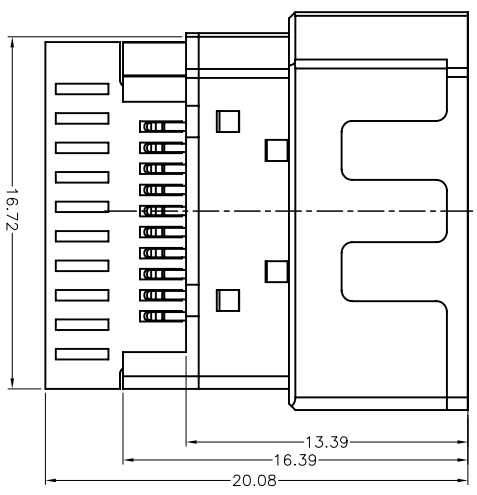
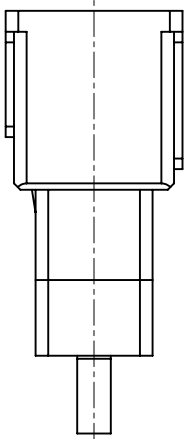
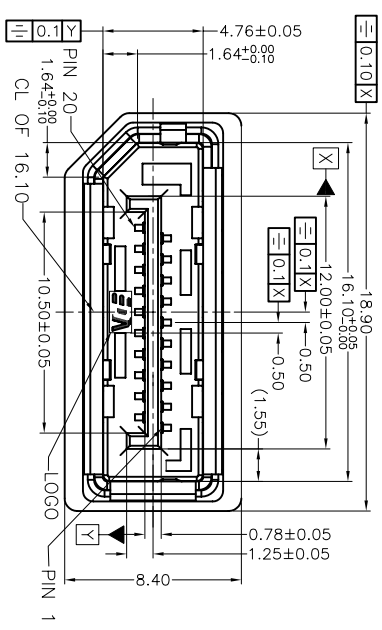
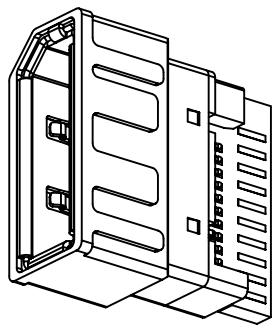
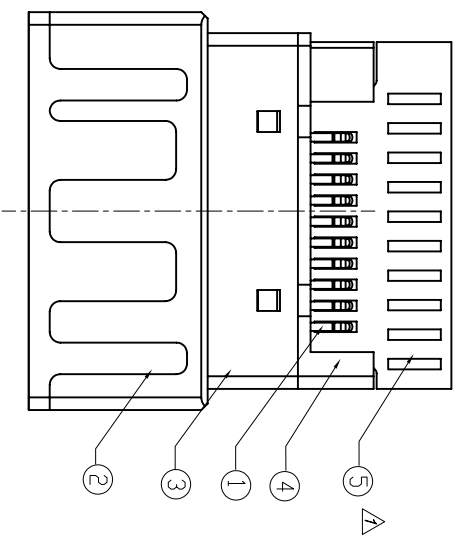
E : WITH Y162S002 PCB

F : WITHOUT Y162S002 PCB

(9) SUFFIX ND2. :

A : WITH FREEPORT LOGO

B : WITHOUT FREEPORT LOGO



ITEM	①	②	③	④	⑤
PART NAME	CONTACT	COVER	SHELL	HOUSING	PCB
QTY/EA	20	1	1	1	1
MATERIALS	COPPER	ABS	COPPER ALLOY	THERMOPLASTIC	FR-4
NOTE	Cu ALL OVER, PLATED OVER NICKEL		GOLD, OR NICKEL PLATING	UL94V-0	

MATERIAL	TOLERANCE UNSPECIFIED	ANGLE	FINISH
	± 0.20	± 2°	
	± 0.25		

NAME	SCALE	UNIT	SHEET
DISPLAYPORT SOLDER TYPE RECEPTACLE CONNECTOR	NONE	MM	1/1
Drawing No. R-S162S-2			REV. 0.2