

REV.	ZONE	LTR	DESCRIPTION	DATE	REVISER	APPD
0.2	D3.E3		0.40±0.10 0.35±0.10	03/13/08	skyhouse	

ORDERING INFORMATION:

51D 019 P - 3 * * 1 - *
 (1) (2) (3) (4) (5) (6) (7) (8)

(1) SERIES NUMBER:
 51D : HDMI MALE CONNECTOR, I.D.C TYPE
 (2) NO. OF POSITION:
 019 : 19POSITIONS

(3) CONTACT & CONNECTING TYPES:
 P : PLUG

(4) : HOUSING COLOR CODES:
 3 : BLACK

(5) PLATING OF CONTACT :
 0 : GOLD FLASH OVER NICKEL
 2 : 15u" GOLD OVER NICKEL
 3 : 30u" GOLD OVER NICKEL

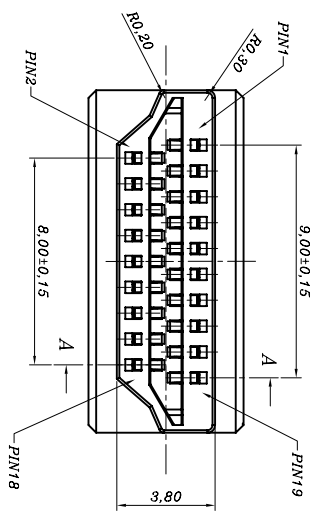
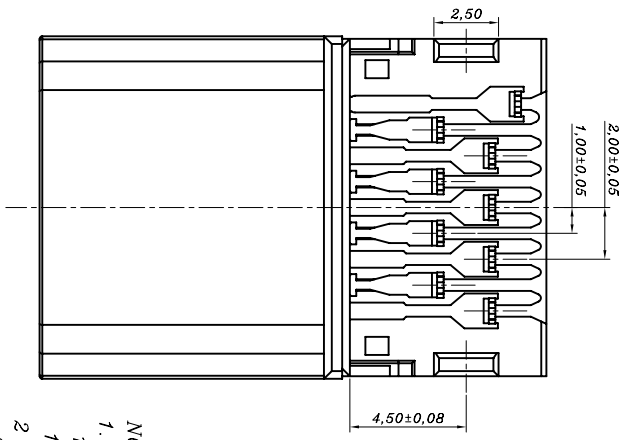
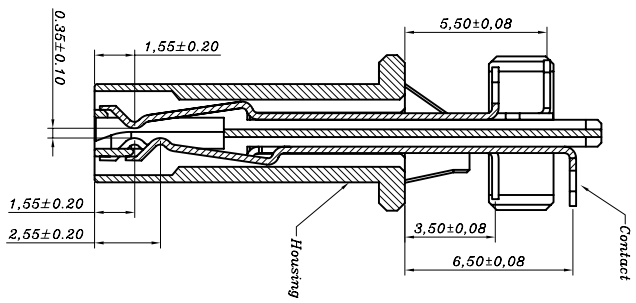
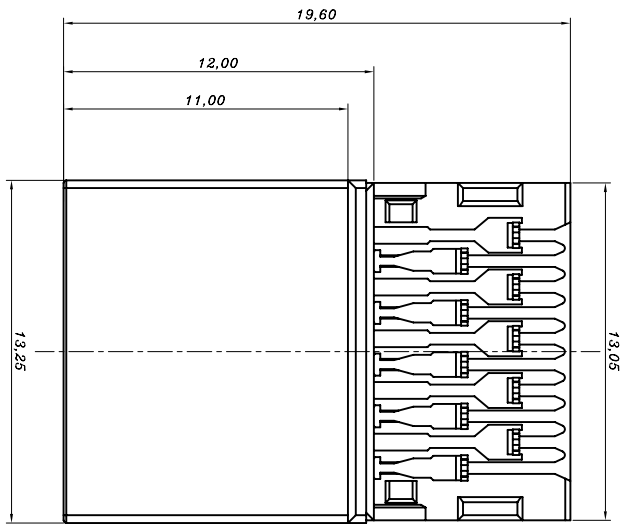
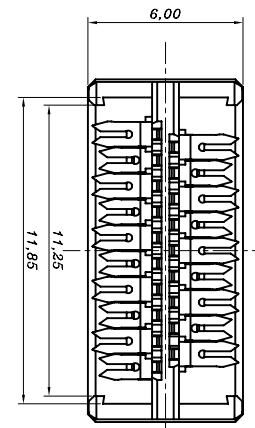
(6) PLATING OF SHELL :
 N: UP AND DOWN SHELL ALL NI .PLATING
 4: UP SHELL NI PLATING AND DOWN SHELL

GOLD FLASH .PLATING
 (7) SHELL CONSTRUCTION TYPE:
 1 : ASSEMBLE TYPE UP AND DOWN SHELL

(8) I.D.C OPTION:
 1 : 30 AWG
 2 : 28 AWG

NOTE:

- MECHANICAL :
 1.1 INSERTION FORCE : 44.1N MAX
 1.2 WITHDRAWAL FORCE : 9.8 N MIN.
- ELECTRICAL :
 2.1 CONTACT CURRENT RATING: 0.5A MIN.
 2.2 VOLTAGE RATING: 40V AC (rms)
 2.3 WITHSTANDING VOLTAGE: 500 VAC FOR 1 MINUTTE.
 2.4 INSULATION RESISTANCE: 100 MEGAOHMS MIN.
 2.5 CONTACT RESISTANCE: 30 MILLIOHMS MAX.
- ENVIRONMENTAL :
 3.1 OPERATING TEMPERATURE: -25° C TO +85° C
 4. NO.18 CONTACT IS LOWER PIN.SHOWN AS SECTION A-A.



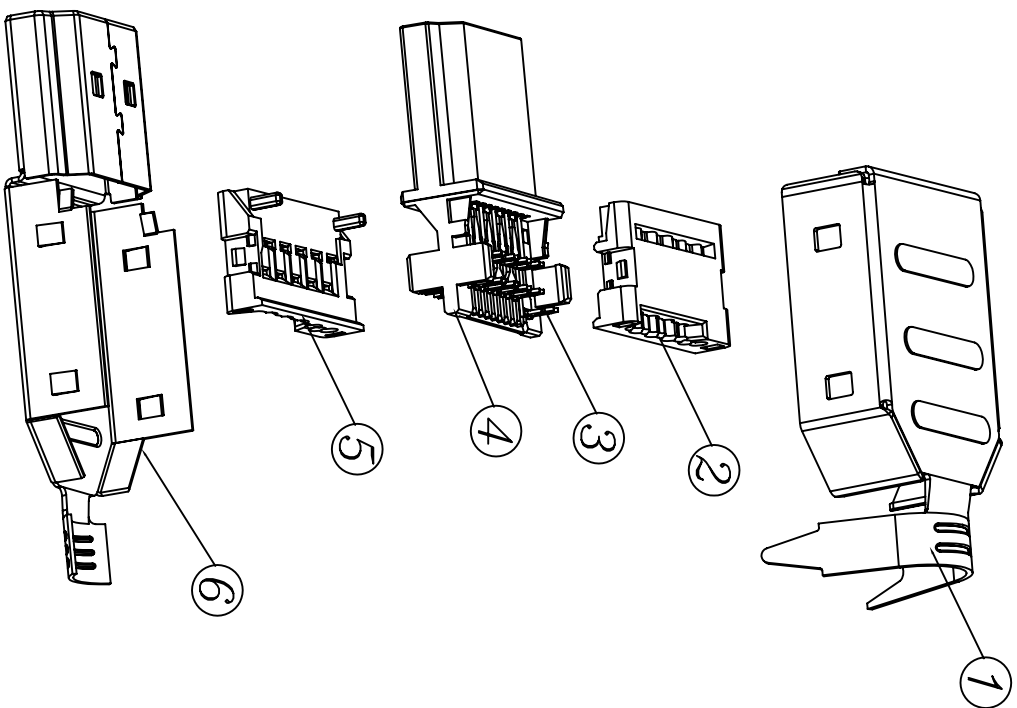
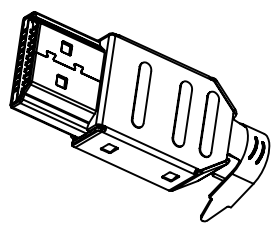
Section: A-A

RoHS Compliant

MATERIAL	TOLERANCE UNSPECIFIED	
FINISH	± 0.00	± 0.20
	± 0.0	± 0.30
ANGLE	± 1°	
DRAWN	Skyhouse 01/04/08	
DESIGNER	Skyhouse 01/04/08	
CHECKED		
APPROVED		
NAME	SCALE	UNIT
HDMI A TYPE PLUG	2:1	MM
I.D.C		
DRAWING NO.		
R-S151D-1		
REV.		SHEET
0.2		1/1

EN FREEPOR

REV.	ZONE	LTR	DESCRIPTION	DATE	REVISER	APPD



NOTE:

- 1. MECHANICAL :**
 1.1 INSERTION FORCE : 44.1N MAX
 1.2 WITHDRAWAL FORCE : 9.8 N MIN.
- 2 ELECTRICAL :**
 2.1 CONTACT CURRENT RATING: 0.5A MIN.
 2.2 VOLTAGE RATING : 40V AC (rms)
 2.3 WITHSTANDING VOLTAGE: 500 VAC FOR 1 MINUTE.
 2.4 INSULATION RESISTANCE: 100 MEGOHMS MIN.
 2.5 CONTACT RESISTANCE: 30 MILLIOHMS MAX.
- 3 ENVIRONMENTAL :**
 3.1 OPERATING TEMPERATURE: -25° C TO +85° C
 4. NO.18 CONTACT IS LOWER PIN, SHOWN AS SECTION A-A.

ORDERING INFORMATION:

- 51D 019 $\frac{P}{-}$ $\frac{3}{-}$ * * $\frac{1}{-}$ - *
- (1) (2) (3) (4) (5) (6) (7) (8)
- (1) SERIES NUMBER:
 51D : HDMI MALE CONNECTOR, I.D.C TYPE
- (2) NO. OF POSITION:
 019 : 19POSITIONS
- (3) CONTACT & CONNECTING TYPES:
 P : PLUG
- (4) : HOUSING COLOR CODES:
 3 : BLACK
- (5) PLATING OF CONTACT :
 0 : GOLD FLASH OVER NICKEL
 2 : 15u" GOLD OVER NICKEL
 3 : 30u" GOLD OVER NICKEL
- (6) PLATING OF SHELL :
 N : UP AND DOWN SHELL ALL NI PLATING
 4 : UP SHELL NI PLATING AND DOWN SHELL GOLD FLASH PLATING
- (7) SHELL CONSTRUCTION TYPE:
 1 : ASSEMBLE TYPE UP AND DOWN SHELL
 (8) I.D.C OPTION:
 1 : 30 AWG
 2 : 28 AWG

ITEM	PART NAME	Q'TY/PCS	MATERIAL	TOLERANCE UNSPECIFIED
⑥	down shell	1	Copper Alloy or SPCC	± 0.00
⑤	down cover	1	P446	± 0.20
④	housing	1	LCP	± 0.30
③	contact	19	Copper Alloy	± 0.30
②	up cover	1	P446	± 1°
①	up shell	1	Copper Alloy or SPCC	± 0.00

FREEPORT

SCALE 2:1 UNIT MM

FINISH:

DRAWN	SKYHOUSE 01/04/08	NAME	HDMI A TYPE PLUG	SHEET	1/1
DESIGNER	SKYHOUSE 01/04/08	CHECKED	I.D.C	REV.	0.1
APPROVED		DRAWING NO.	R-S151D-2		

RoHS Compliant

1 2 3 4 5 6 7 8