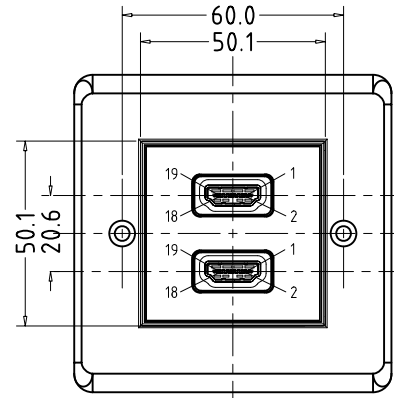
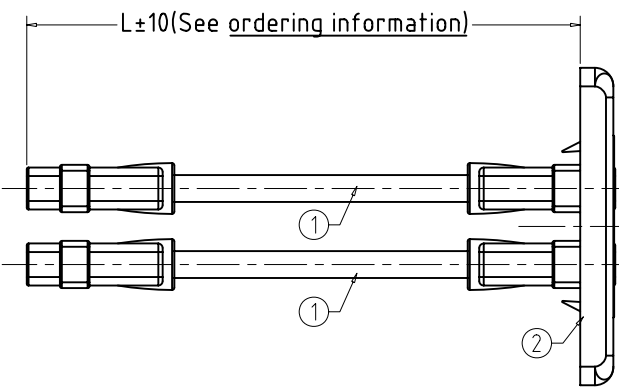
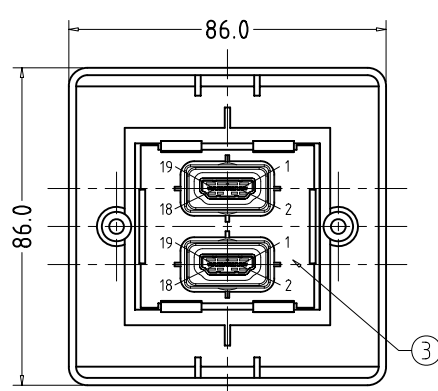


1	2	3	4	5	6	7	8	
CUSTOMER	CUST P/N	FREEPORT P/N						
ALL(Customer)		1901141-xxx-xxx						

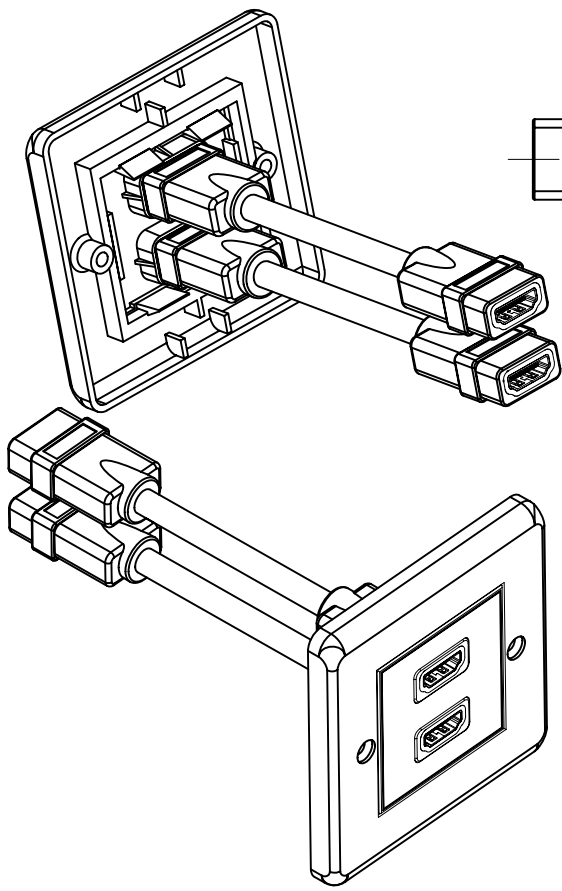
**RoHS Compliant**

REV	ZONE	LTR	DESCRIPTION	DATE	REVISER	APPD
2.0		△	CHANGE ORDERING INFORMATION:	9/14/07	Mikey	



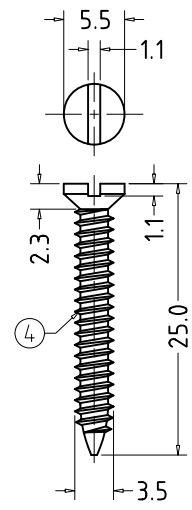
**PIN ASSIGNMENT:**

HDMI 19F	Color	HDMI 19F	Signal
3	Red	3	TMDS data2-
1	White	1	TMDS data2+
2	Drain	2	TMDS data2 Shield
6	Green	6	TMDS data1-
4	White	4	TMDS data1+
5	Drain	5	TMDS data1 Shield
9	Blue	9	TMDS data0-
7	White	7	TMDS data0+
8	Drain	8	TMDS data0 Shield
12	Brown	12	TMDS Clock-
10	White	10	TMDS Clock+
11	Drain	11	TMDS Clock Shield
17	Purple	17	DDC/CEC Ground
13	Blue	13	CEC
15	Orange	15	SCL
16	Yellow	16	SDA
14	Green	14	Reserved
18	Red	18	+5V Power
19	White	19	Hot Plug Detect
SHELL	Braid	SHELL	SHELL



**ORDERING INFORMATION:**

- 19 01141 - \* \* \* - \* \* \*
- [1] [2] [3] [4] [5] [6] [7] [8]
- [1] SERIES NUMBER:  
19:Adapter Series
- [2] SEQUENCE NO.:  
01141(EX. 01001-01999):UK Wall plate WITH HDMI A TYPE F-F SHORT CABLE
- [3] OUTER MOLDING COLOR CODES:  
3:BLACK 4:WHITE 5:BEIGE
- [4] PLATING OF CONTACT :  
2:15u" GOLD 3:30u" GOLD
- [5] PLATING OF CONTACT :  
1 : GOLD FLASH 2 : NI-PLATED
- [6] CABLE SPEC:  
1 : HDMI CABLE 28AWG(TC) BLACK  
2 : HDMI CABLE 28AWG(SC) BLACK
- [7] SCREW SPEC :  
U : "-" Type Screw  
C : "+" Type Screw
- [8] CABLE LENGTH :  
A: L=100mm  
B: L=150mm



**MATERIAL:**

- 1)HDMI A Type F-F Short cable(black) L=150mm or 100mm Overmold color(See ordering information)
- 2)Uk wall plate:Outer
- 3)Uk wall plate:Inter with two port
- 4)Screw:FTS-1 M3.5x25mm

**ELECTRICAL CHARACTER:**

- 1)100% OPEN&SHORT TESTING
- 2)WITHSTANDING VOLTAGE:DC 300V 0.01Sec
- 3)INSULATION RESISTANCE:10M Ohm(Min)
- 4)CONDUCTIVE RESISTANCE:2 Ohm(Max)

MATERIAL	TOLERANCE UNSPECIFIED	<b>FREEPORT</b>	
	.x x x ± .x x ± .x ± . ± ANGLE ±		
FINISH	DRAWN: <i>Mikey</i>	NAME	
	DESIGNER:	UK wall plate Two port with short cable	
	CHECKED:	DRAWING NO.	SHEET
	APPROVED:	1901141	1/1
			REV 2.0