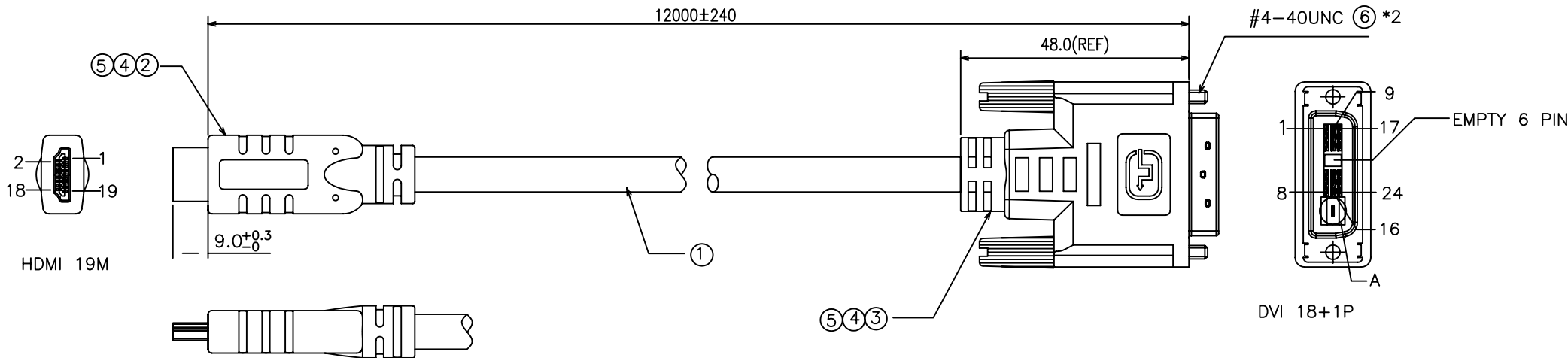


RoHS Compliant

REV	ZONE	LTR	DESCRIPTION	DATE	REVISER	APPD
-----	------	-----	-------------	------	---------	------

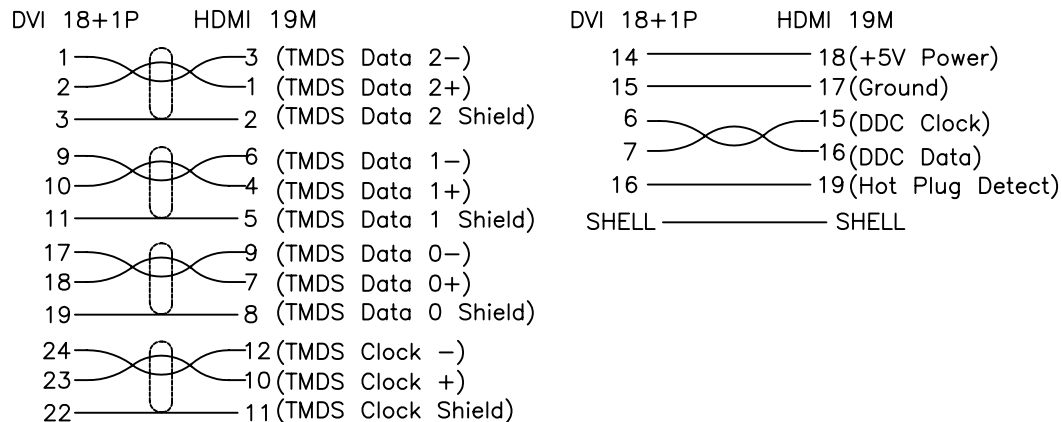
A
B
C
D
E
F



ELECTRICAL CHARACTER:

1. 100% OPEN&SHORT TEST
2. HI-POT:DC300V 10ms
3. Insulation Resistance:10 MOHM MIN
4. Contact Resistance: 5 OHM MAX

PIN ASSIGNMENT:



6	SCREW	THUMBSCREW #4-40UNC BLACK ABS NI-PLATED OD:2.8*L=32.3MM	
5	OVERMOLD	PVC 70Pα BLACK UL94V-0	
4	INNERMOLD	PE LOW DENSITY	
3	DVI CONN.	DVI 18+1P MALE 15U" SOLDER FOR MOLDING TYPE GROUNDING PIN WIDTH:2.54mm SHELL GOLD-PLATED	
2	HDMI CONN.	HDMI 19P MALE 30U"/AU BLACK GOLD-PLATED SOLDER TYPE WITH P.C.B	
1	HDMI CABLE	UL20276 [22#*1P+DRAIN WIRE+FREE EDGEAL/MYLAR]*4 +22#*1P+22#*5C+A+B OD:11.5mm BLACK IMPEDANCE:100 Ohm	

NO.	PART NAME	SPEC DESCRIPTION	REMAKE
MATERIAL		TOLERANCE UNSPECIFIED	FREEPORT
FINISH		ANGLE ± ± ± ± ±	
		DRAWN: YHT	SCALE NON UNIT mm
		DESIGNER:	NAME HDMI TO DVI CABLE (22AWG)
		CHECKED: OWEN	
		APPROVED:	DRAWING NO.
			REV 1.0

1 2 3 4 5 6 7

RoHS Compliant

REV	ZONE	LTR	DESCRIPTION	DATE	REVISER	APPD
-----	------	-----	-------------	------	---------	------

A

B

C

D

E

F

A

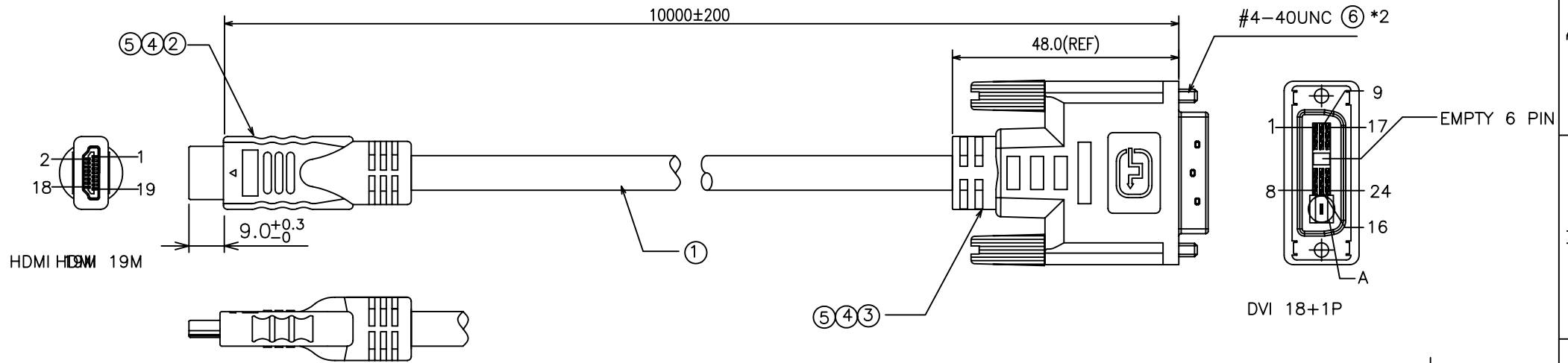
B

C

D

E

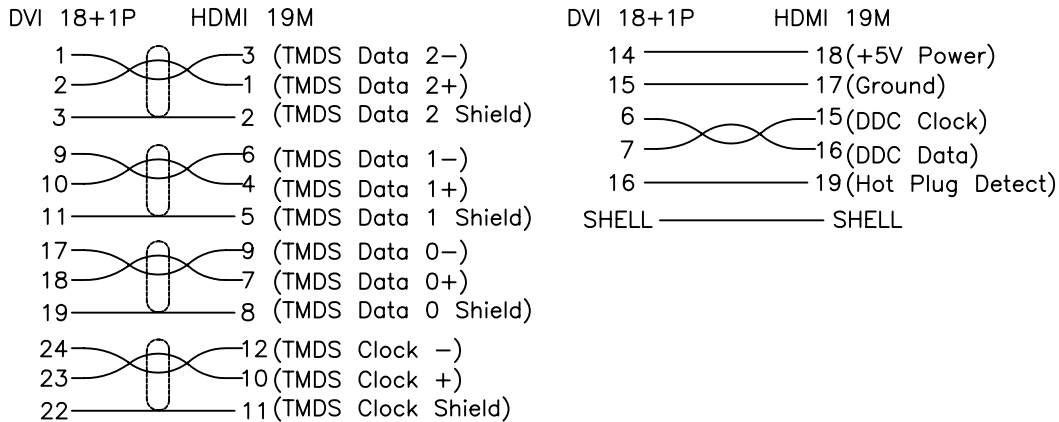
F



ELECTRICAL CHARACTER:

1. 100% OPEN&SHORT TEST
2. HI-POT:DC300V 10ms
3. Insulation Resistance:10 MOHM MIN
4. Contact Resistance: 5 OHM MAX

PIN ASSIGNMENT:

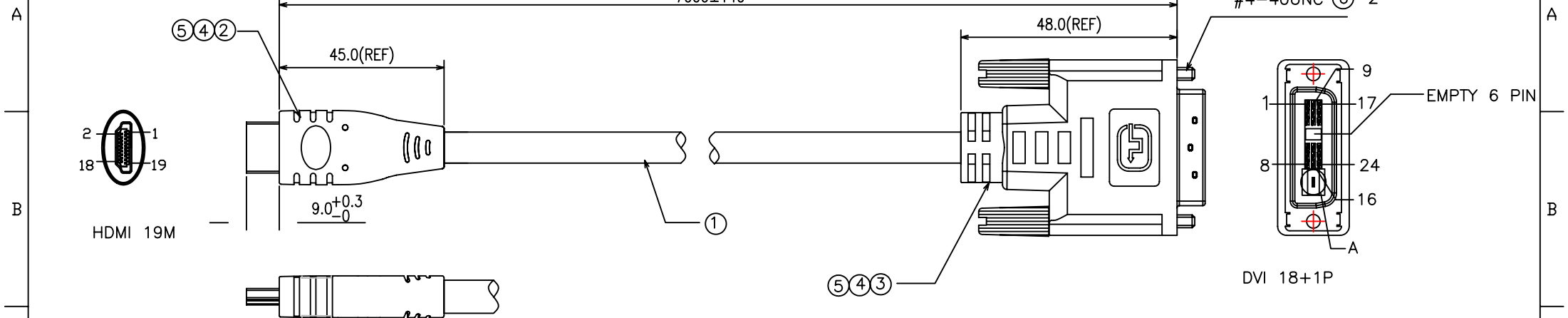


6	SCREW	THUMBSCREW #4-40UNC BLACK ABS NI-PLATED OD:2.8*L=32.3MM	
5	OVERMOLD	PVC 70Pa BLACK UL94V-0	
4	INNERMOLD	PE LOW DENSITY	
3	DVI CONN.	DVI 18+1P MALE 15U" SOLDER FOR MOLDING TYPE GROUNDING PIN WIDTH:2.54mm SHELL GOLD-PLATED	
2	HDMI CONN.	HDMI 19P MALE 30U"/AU BLACK GOLD-PLATED SOLDER TYPE WITH P.C.B	
1	HDMI CABLE	UL20276 (24AWG*1PR+DRAIN WIRE+FREE-EDGE AL/MYLAR)*4 +24AWG*1P+24AWG*5C+AL/MYLAR+BRAID OD:10.5mm BLACK PVC IMPEDANCE:100 Ohm	

NO.	PART NAME	SPEC DESCRIPTION	REMAKE
MATERIAL		TOLERANCE UNSPECIFIED	
FINISH		ANGLE ± ± ± ± ±	
		DRAWN: YHT	SCALE NON UNIT mm
		DESIGNER:	NAME HDMI TO DVI CABLE (24AWG)
		CHECKED: OWEN	
		APPROVED:	DRAWING NO.
			REV 1.0

RoHS Compliant

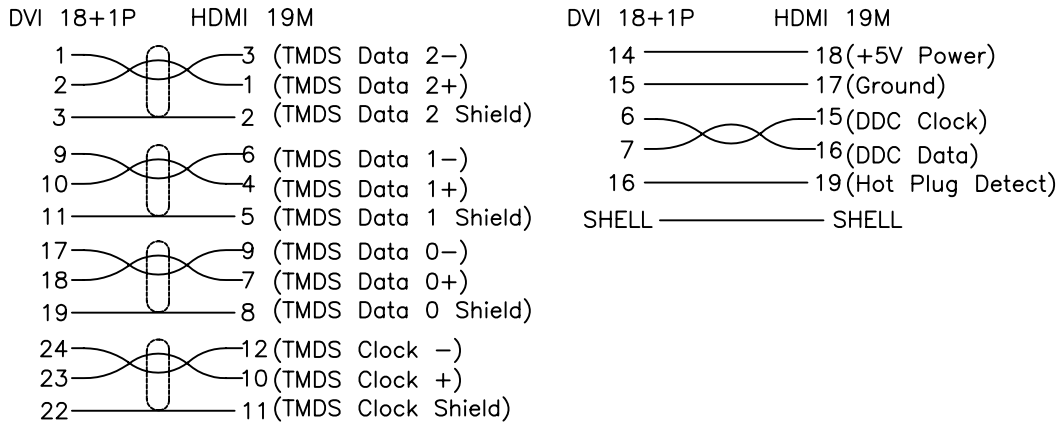
REV	ZONE	LTR	DESCRIPTION	DATE	REVISER	APPD
-----	------	-----	-------------	------	---------	------



ELECTRICAL CHARACTER:

1. 100% OPEN&SHORT TEST
2. HI-POT:DC300V 10ms
3. Insulation Resistance:10 MOHM MIN
4. Contact Resistance: 3 OHM MAX

PIN ASSIGNMENT:

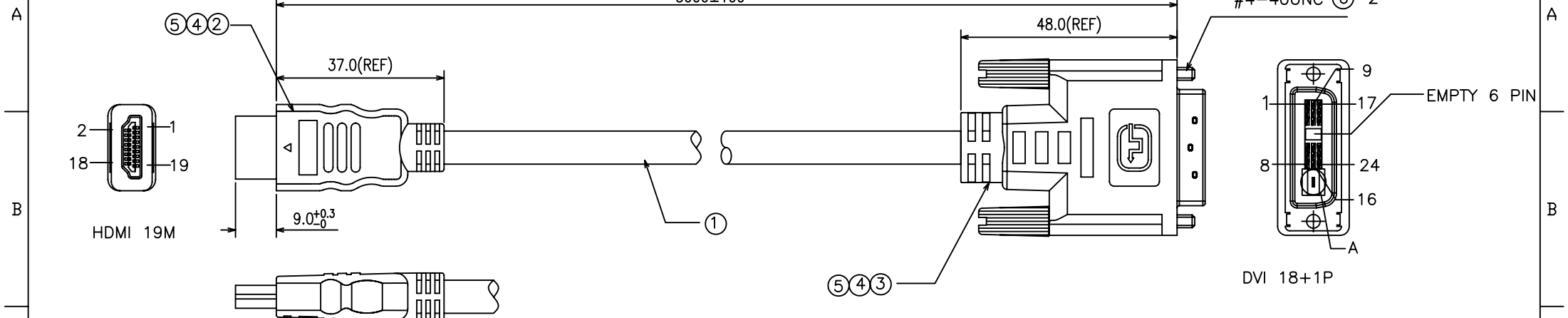


6	SCREW	THUMBSCREW #4-40UNC BLACK ABS NI-PLATED OD:2.8*L=32.3MM	
5	OVERMOLD	PVC 70Pα BLACK UL94V-0	
4	INNERMOLD	PE LOW DENSITY	
3	DVI CONN.	DVI 18+1P MALE 15U" SOLDER FOR MOLDING TYPE GROUNDING PIN WIDTH:2.54mm SHELL GOLD-PLATED	
2	HDMI CONN.	HDMI 19P MALE 30U"/AU BLACK GOLD-PLATED SOLDER TYPE WITH P.C.B	
1	HDMI CABLE	UL20276 (26AWG(TC)*1PR+DRAIN WIRE+AL/MYLAR)*4 +26AWG*1P+26AWG*5C+AL/MYLAR+BRAID OD:8.5mm BLACK IMPEDANCE:100 Ohms	

NO.	PART NAME	SPEC DESCRIPTION	REMAKE
MATERIAL		TOLERANCE UNSPECIFIED	FREEPORT SCALE NON UNIT mm
FINISH		ANGLE DRAWN: DESIGNER: CHECKED: APPROVED:	
		NAME	SHEET
		HDMI TO DVI CABLE (26AWG)	1/1
		DRAWING NO.	REV 1.0

RoHS Compliant

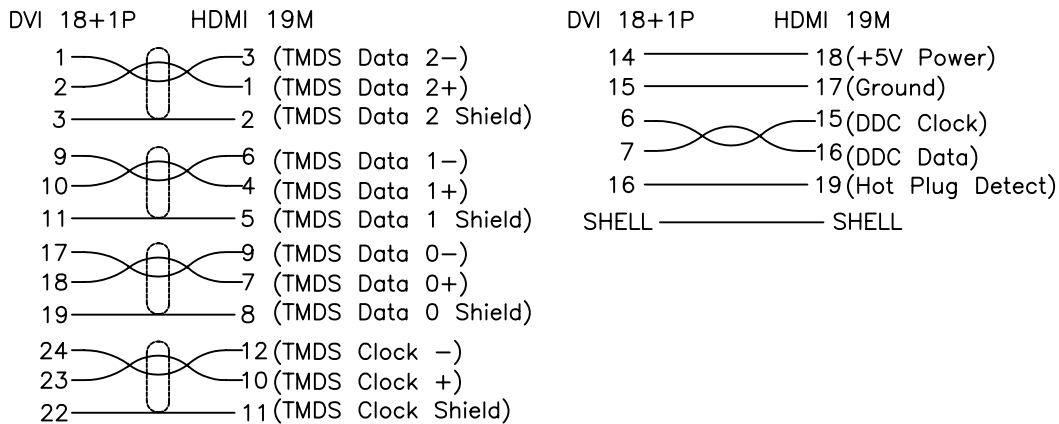
REV	ZONE	LTR	DESCRIPTION	DATE	REVISER	APPD
-----	------	-----	-------------	------	---------	------



ELECTRICAL CHARACTER:

1. 100% OPEN&SHORT TEST
2. HI-POT:DC300V 10ms
3. Insulation Resistance:10 MOHM MIN
4. Contact Resistance: 2 OHM MAX

PIN ASSIGNMENT:

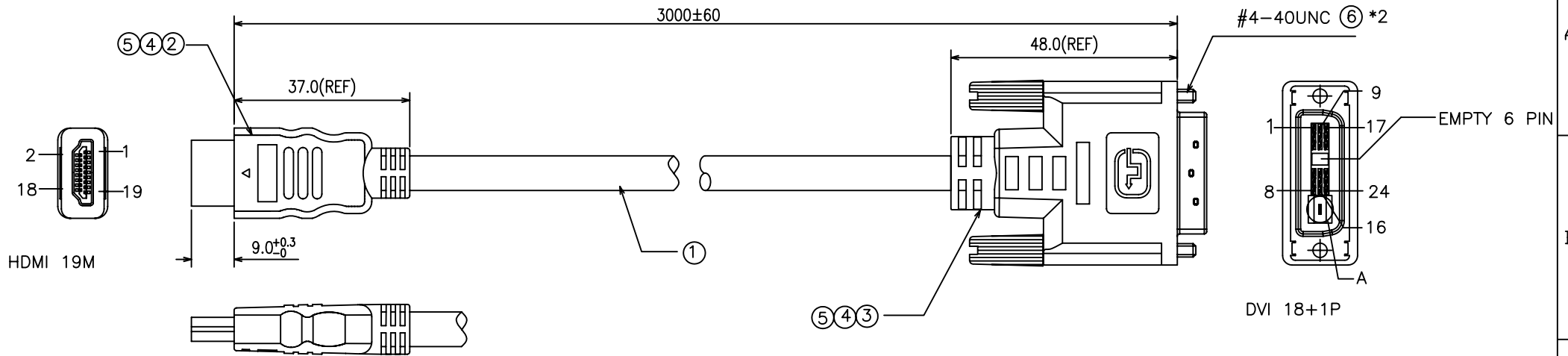


6	SCREW	THUMBSCREW #4-40UNC BLACK ABS NI-PLATED OD:2.8*L=32.3MM	
5	OVERMOLD	PVC 70Pα BLACK UL94V-0	
4	INNERMOLD	PE LOW DENSITY	
3	DVI CONN.	DVI 18+1P MALE 15U" SOLDER FOR MOLDING TYPE GROUNDING PIN WIDTH:2.54mm SHELL GOLD-PLATED	
2	HDMI CONN.	HDMI 19P MALE 30U"/AU BLACK GOLD-PLATED SOLDER TYPE WITH P.C.B	
1	HDMI CABLE	UL20276 (28AWG*1PR+DRAIN WIRE+FREE EDGE AL/MYLAR)*4 +28AWG*1P+28AWG*5C+AL/MYLAR+BRAID OD:7.3 BLACK IMPEDANCE:100 Ohm	

NO.	PART NAME	SPEC DESCRIPTION	REMAKE
MATERIAL		TOLERANCE UNSPECIFIED	
FINISH		ANGLE ± ± ± ± ±	
		DRAWN: YHT	SCALE NON UNIT mm
		DESIGNER:	NAME HDMI TO DVI CABLE (28AWG)
		CHECKED: OWEN	
		APPROVED:	DRAWING NO.
			REV 1.0

RoHS Compliant

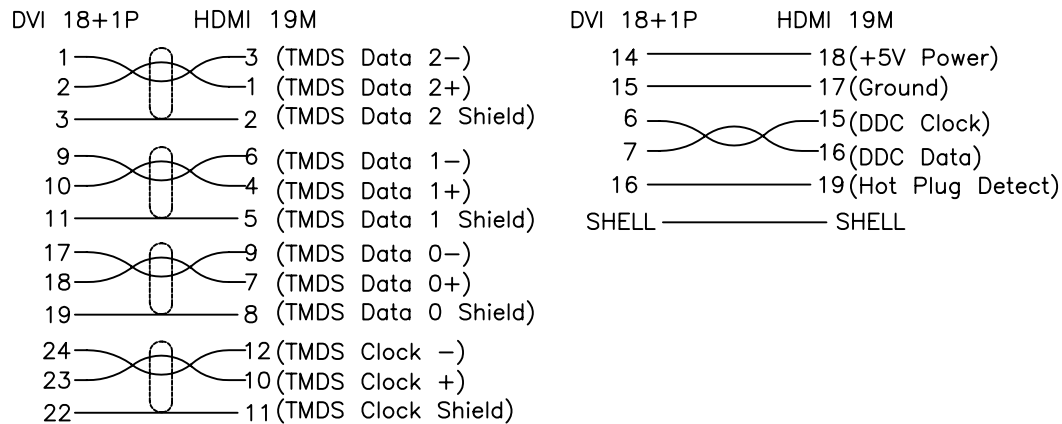
REV	ZONE	LTR	DESCRIPTION	DATE	REVISER	APPD
-----	------	-----	-------------	------	---------	------



ELECTRICAL CHARACTER:

1. 100% OPEN&SHORT TEST
2. HI-POT:DC300V 10ms
3. Insulation Resistance:10M OHM MIN
4. Contact Resistance: 2 OHM MAX

PIN ASSIGNMENT:



6	SCREW	THUMBSCREW #4-40UNC BLACK ABS NI-PLATED OD:2.8*L=32.3MM	
5	OVERMOLD	PVC 70Pα BLACK UL94V-0	
4	INNERMOLD	PE LOW DENSITY	
3	DVI CONN.	DVI 18+1P MALE 15U" SOLDER FOR MOLDING TYPE GROUNDING PIN WIDTH:2.54mm SHELL GOLD-PLATED	
2	HDMI CONN.	HDMI 19P MALE 30U"/AU BLACK GOLD-PLATED SOLDER TYPE WITH P.C.B	
1	HDMI CABLE	UL20276 (30AWG*1PR+DRAIN WIRE+FREE EDGE AL/MYLAR)*4 +30AWG*1P+28AWG*5C+AL/MYLAR+BRAID OD:6.0 BLACK IMPEDANCE:100 Ohm	

NO.	PART NAME	SPEC DESCRIPTION	REMAKE
MATERIAL		TOLERANCE UNSPECIFIED	
FINISH		ANGLE ± ± ± ± ±	
		DRAWN: YHT	SCALE NON UNIT mm
		DESIGNER:	NAME
		CHECKED: OWEN	HDMI TO DVI CABLE (30AWG)
		APPROVED:	DRAWING NO.
			SHEET 1/1
			REV 1.0