

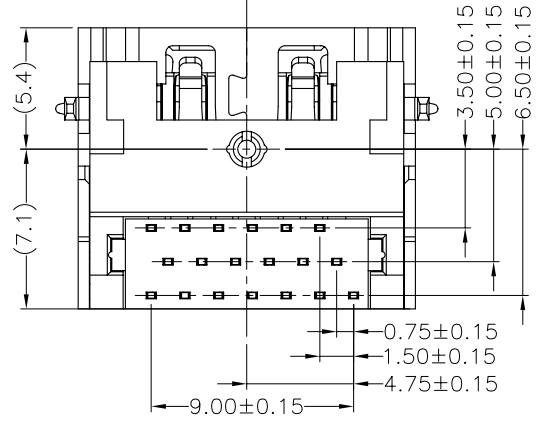
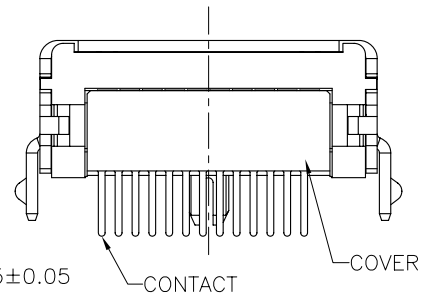
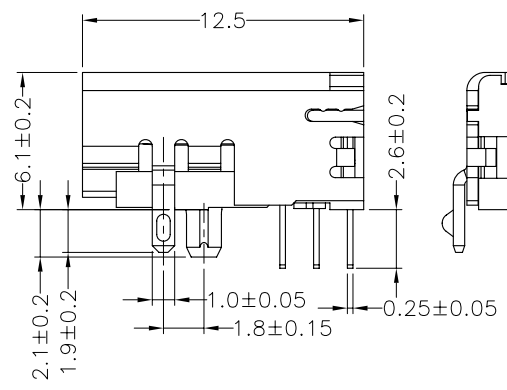
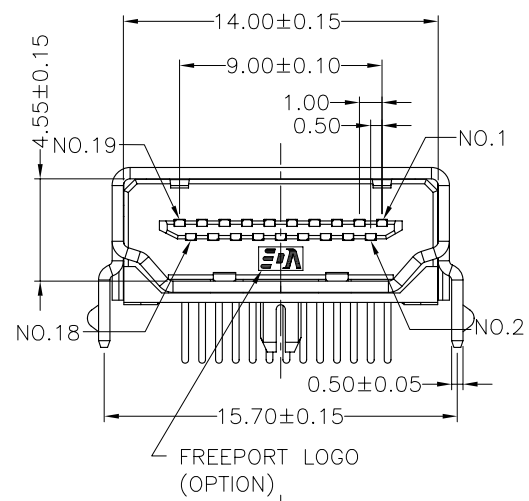
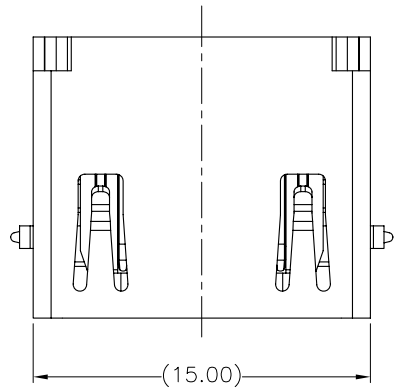
REV	ZONE	LTR	DESCRIPTION	DATE	REVISER	APPD
-----	------	-----	-------------	------	---------	------

ORDERING INFORMATION

51 L 019 S - 3 * G * - *
 (1) (2) (3) (4) (5) (6) (7) (8) (9)

- SERIES NO.
51: HDMI CONNECTOR
- TAIL CONSTRUCTION TYPE
L: RIGHT ANGLE P.C.B THROUGH HOLE TYPE
- NUMBER OF PIN
019: 19 POSITIONS
- CONTACT & CONNECTIONG TYPES:
S: SOCKET(RECEPTACLE)
- COLOR CODES
3: BLACK
- CONTACT PLATING:
0 :SELECTIVE GOLD FLASH OVER NICKEL
2: SELECTIVE 15u" GOLD OVER NICKEL
3: SELECTIVE 30u" GOLD OVER NICKEL
4: GOLD FLASH ALLOVER OVER NICKEL
5: 15u" GOLD PLATED ON THE CONTACT AREA AND GOLD FLASH PLATED ON THE SOLDER AREA
6: 30u" GOLD PLATED ON THE CONTACT AREA AND GOLD FLASH PLATED ON THE SOLDER AREA
- SHELL CONSTRUCTION
G: LOW PROFILE, WITH RIBBING WITHOUT FLANGE AND WITH SPRING LATCH
SHELL TAIL IS THROUGH HOLE TYPE
- SHELL PLATING
N: SOLDERABLE NICKEL PLATED
T: TIN PLATED
L: 3u" GOLD PLATED
4: GOLD FLASH PLATED
- SUFFIX NO.
A: WITH FREEPORT LOGO
B: WITHOUT LOGO

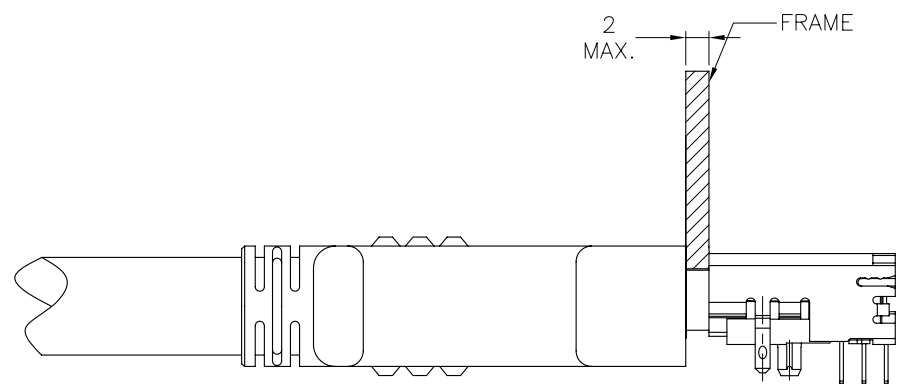
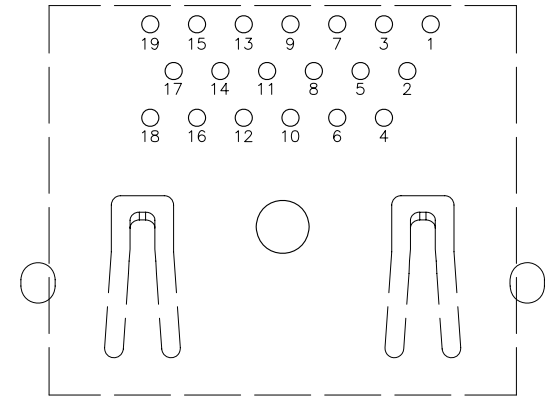
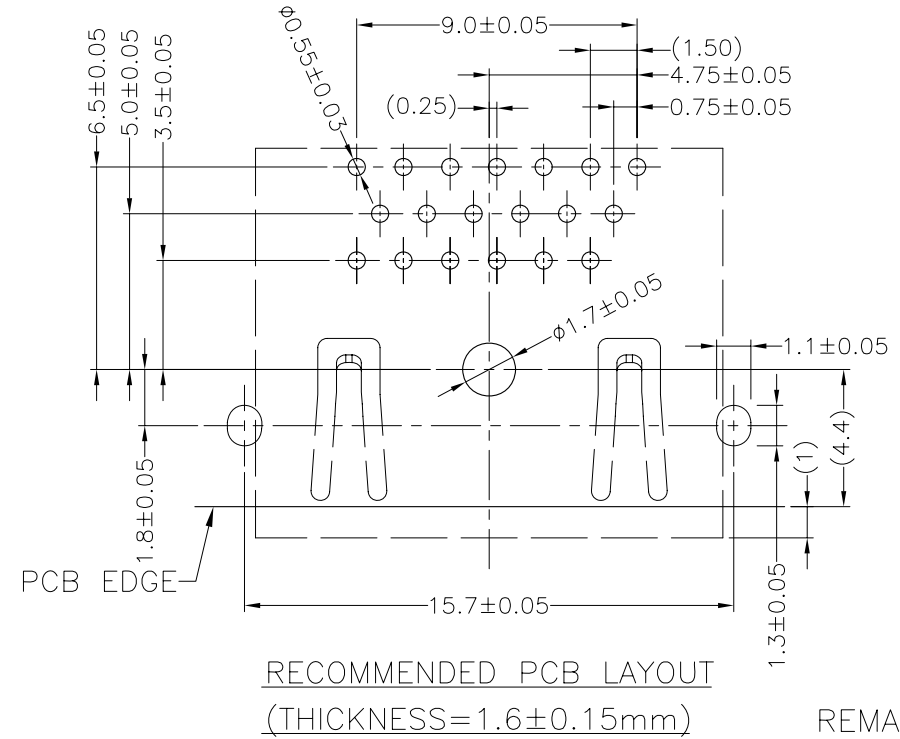
A
B
C
D
E
F



RoHS compliant

MATERIAL		TOLERANCE UNSPECIFIED		PART NO.	
FINISH		±			
		±0.25			
DRAWN		±0.38		SCALE 1:1	
		± 1°		UNIT mm	
DESIGNER		NAME		SHEET	
CHECKED		DRAWING NO.		1/2	
APPROVED		R-S151L-3		REV 1	
		A4		RS151L31	

REV	ZONE	LTR	DESCRIPTION	DATE	REVISER	APPD
-----	------	-----	-------------	------	---------	------



RoHS compliant

REMARKS:

1. MATERIAL:
 - 1.1 HOUSING: HIGH TEMPERATURE THERMOPLASTIC UL 94V-0 RATED
 - 1.2 COVER: HIGH TEMPERATURE THERMOPLASTIC UL 94V-0
 - 1.3 CONTACT: COPPER ALLOY
 - 1.4 SHELL: COPPER ALLOY
2. PLATING:
 - 2.1 CONTACT: GOLD PLATED OVER NICKEL ON CONTACT AREA AND 100u" MIN. TIN PLATED OVER NICKEL ON SOLDER TAILS
 - 2.2 SHELL: SOLDERABLE NICKEL PLATED OR TIN PLATED OR GOLD PLATED

MATERIAL		TOLERANCE UNSPECIFIED		PART NO.	
/		±		FREEPORT	
		±0.25			
/		±0.38		UNIT mm	
		±		SHEET 2/2	
FINISH		DRAWN Mary 07/18/06		NAME	
/		DESIGNER Mary 07/18/06		HDMI RECEPTACLE THROUGH HOLE	
		CHECKED Winder		WITHOUT FLANGE LOW PROFILE	
		APPROVED Peterhu		DRAWING NO. R-S151L-3	
				REV 1	
				A4 RS151L32	