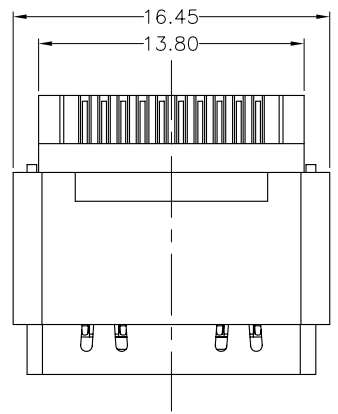


REV	ZONE	LTR	DESCRIPTION	DATE	REVISER	APPD

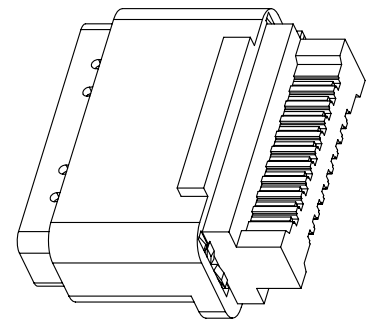
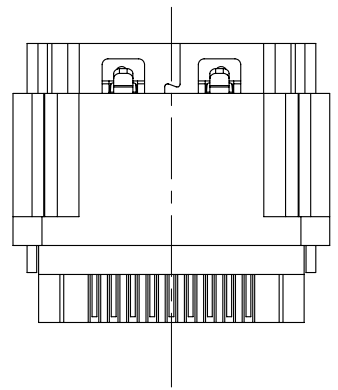
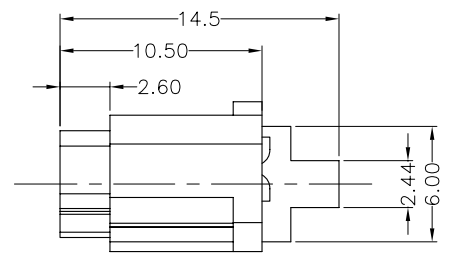
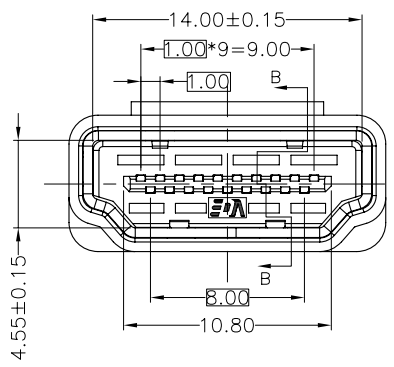


RoHS compliant

ORDERING INFORMATION:

51S 019 S - 3 * * P - *
 (1) (2) (3) (4) (5) (6) (7) (8)

- (1) SERIES NUMBER:
51S : HDMI FEMALE CONNECTOR, SOLDER TYPE
- (2) NO. OF POSITION:
019 :19POSITIONS
- (3) CONTACT &CONNECTING TYPES:
S : SOCKET
- (4) COLOR CODES:
3 :BLACK
- (5) PLATING OF CONTACT :
0 : GOLD FLASH OVER NICKEL
2 : 15u"GOLD OVER NICKEL
3 : 30u"GOLD OVER NICKEL
- (6) PLATING OF SHELL :
N : Ni PLATING
L : Au:3u"Min. PLATING
T : TIN PLATING
- (7) SHELL CONTRUCTION TYPE:
P : SHELL WITHOUT WING,SOLDER TYPE
- (8) SUFIX NO. :
A : WITH FREEPORT LOGO
B : WITHOUT FREEPORT LOGO



ITEM	PART NAME	Q'TY/EA	MATERIALS	NOTE
④	CONTACT	19	COPPER ALLOY	GOLD PLATED OVER NICKEL
③	COVER	1	THERMOPLASTIC	UL94V-0
②	HOUSING	1	THERMOPLASTIC	UL94V-0
①	SHELL	1	COPPER ALLOY	GOLD, OR NICKEL PLATING

MATERIAL	TOLERANCE UNSPECIFIED	FREEPORT	
	. . . ± . . . ±0.20 . . . ±0.30 . . . ±0.40 . . . ±1*		
FINISH	ANGLE ± 1°	SCALE 1:1	UNIT mm
	DRAWN	NAME	
	DESIGNER <i>Potto</i> 01/23.05	HDMI RECEPTACLE WITHOUT WING SOLDER TYPE	
	CHECKED <i>Winder</i>	SHEET 1/1	
APPROVED <i>Peterhu</i>	DRAWING NO. R-S151S-9		REV 1.0