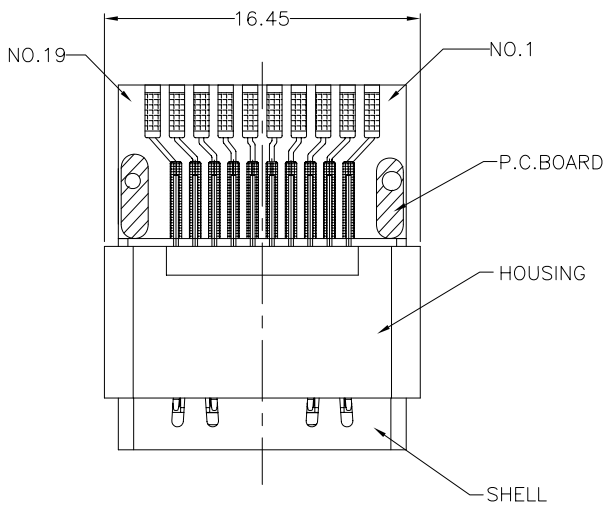
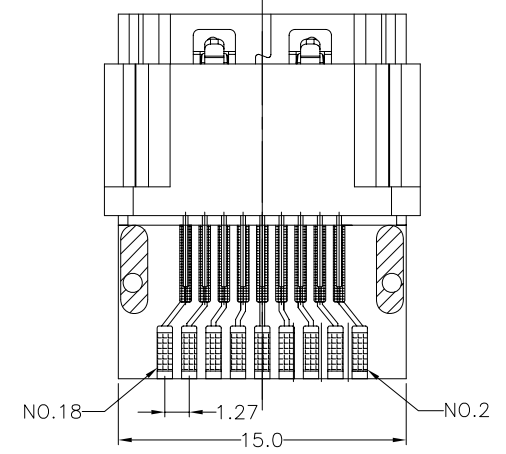
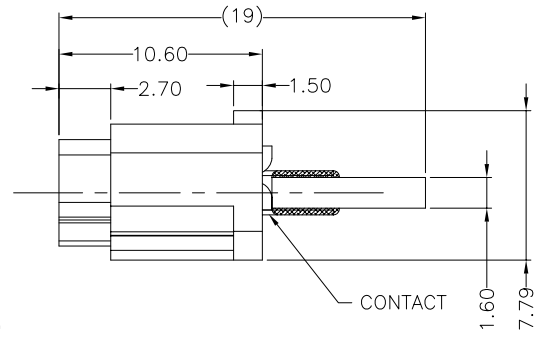
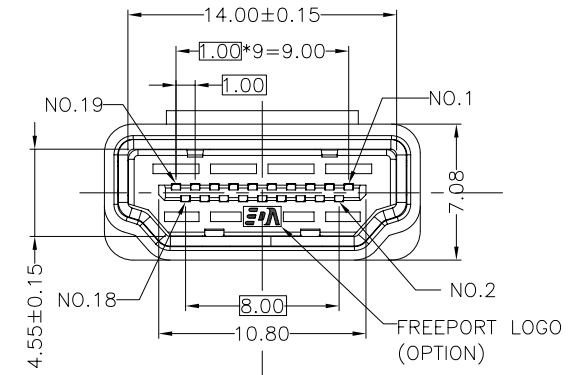


REV	ZONE	LTR	DESCRIPTION	DATE	REVISER	APPD
-----	------	-----	-------------	------	---------	------



**RoHS Compliant**



**ORDERING INFORMATION:**

51S 019 S - 3 \* \* P - E - A  
 (1) (2) (3) (4) (5) (6) (7) (8) (9)

- (1) SERIES NUMBER:  
51S : HDMI CONNECTOR, SOLDER TYPE
- (2) NO. OF POSITION:  
019 : 19POSITIONS
- (3) CONTACT &CONNECTING TYPES:  
S : SOCKET(RECEPTACLE)
- (4) COLOR CODES:  
3 : BLACK
- (5) PLATING OF CONTACT :  
0 : GOLD FLASH OVER NICKEL  
2 : 15u" GOLD OVER NICKEL  
3 : 30u" GOLD OVER NICKEL
- (6) PLATING OF SHELL :  
N : Ni PLATING  
L : Au:3u"Min. PLATING  
T : TIN PLATING  
4 : GOLD FLASH PLATING
- (7) SHELL CONSTRUCTION TYPE:  
P : SHELL WITHOUT WING,SOLDER TYPE
- (8) SUFFIX NO1. :  
E : WITHOUT COVER AND WITH 1.27 PITCH  
PCB(P/N:Y051S002)
- (9) SUFFIX NO2. :  
A : WITH FREEPORT LOGO  
B : WITHOUT FREEPORT LOGO

**NOTE:**

- 1. ELECTRICAL :
  - 1.1 CONTACT CURRENT RATING: 0.5A MIN.
  - 1.2 VOLTAGE RATING :40V AC (rms)
  - 1.3 WITHSTANDING VOLTAGE: 300 VAC FOR 1 MINUTE.
  - 1.4 INSULATION RESISTANCE: 100 MEGAOHMS MIN.
  - 1.5 CONTACT RESISTANCE: 30 MILLIOHMS MAX.
- 2. ENVIRONMENTAL :
  - 2.1 OPERATING TEMPERATURE:-25°C TO +85°C

		PART NO.	
MATERIAL	TOLERANCE UNSPECIFIED · · · ± · · ±0.20 · ±0.30 · ±0.40 · ±1°	<b>FREEPORT</b>	
		SCALE 1:1	UNIT mm
FINISH	DRAWN Mary 07/18/06	NAME HDMI RECEPTACLE WITHOUT WING SOLDER TYPE WITH P.C.BOARD	
	DESIGNER Mary 07/18/06	SHEET 1/1	
	CHECKED Winder	DRAWING NO. R-S151S-26	
	APPROVED Peterhu	REV 1	