

REV	ZONE	LTR	DESCRIPTION	DATE	REVISER	APPD
-----	------	-----	-------------	------	---------	------

### SPECIFICATIONS

#### SPECIFICATIONS

OPERATING CURRENT: 0.5A MAX.

OPERATION TEMPERATURE: -25°C TO +85°C

DIELECTRIC WITHSTANDING VOLTAGE:

500Volts AC BETWEEN ADIACENT TERMINAL(UNMATE )

300Volts AC BETWEEN ADIACENT TERMINAL(MATE )

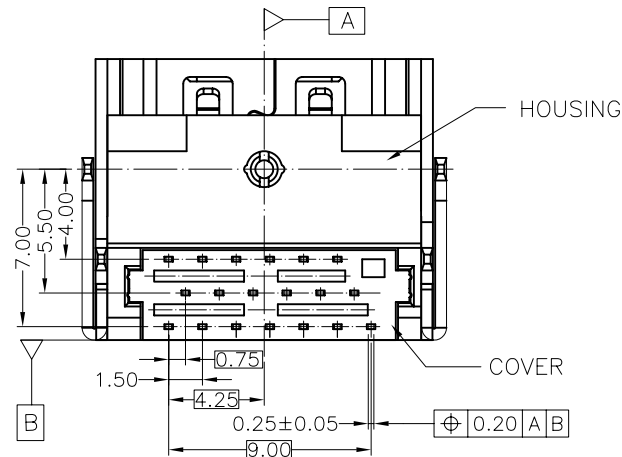
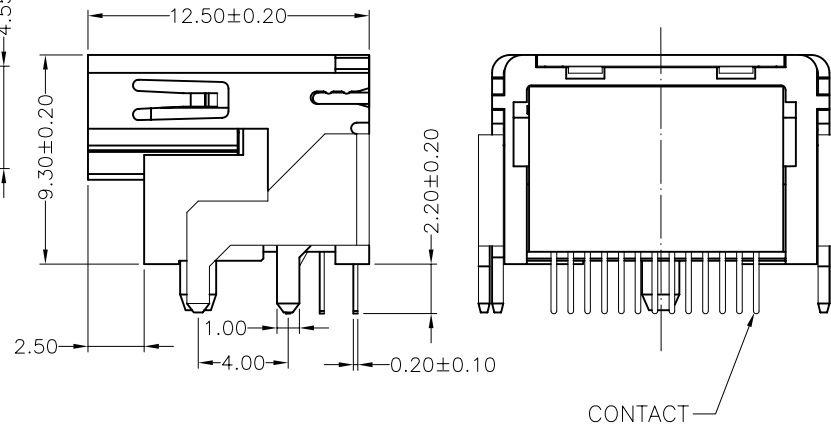
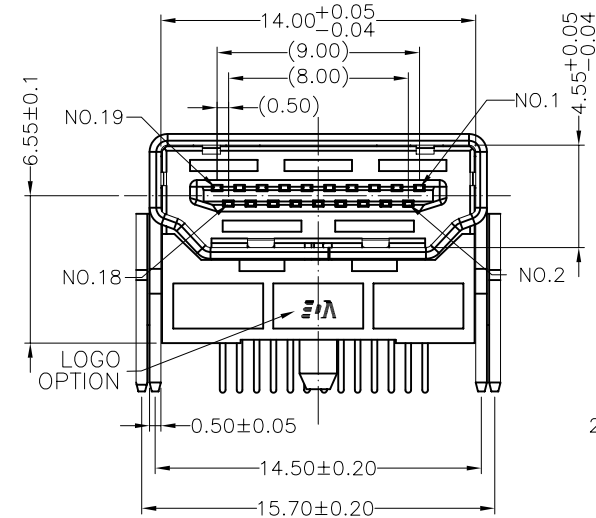
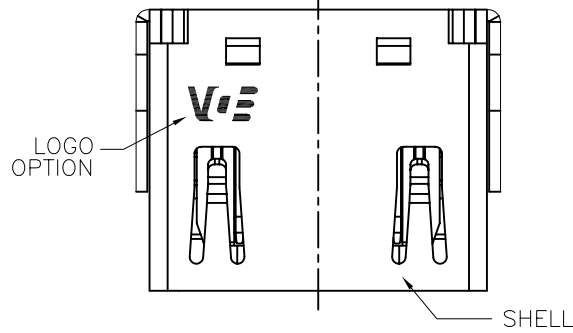
INSULATION RESISTANCE:

100Mohm MIN.(UNMATED);10Mohm MIN.(MATED)

### ORDERING INFORMATION

51 L 019 S - 3 5 H N - C  
 (1) (2) (3) (4) (5) (6) (7) (8) (9)

- SERIES NO.  
51: HDMI CONNECTOR
- TAIL CONSTRUCTION TYPE  
L: THROUGH HOLE TYPE
- NUMBER OF PIN  
019: 19 POSITIONS
- CONTACT & CONNECTIONG TYPES:  
S: SOCKET
- COLOR CODES  
3: BLACK
- CONTACT PLATING:  
5: SELECTIVE 15u" GOLD IN CONTACT AREA  
AND GOLD FLASH ALLOVER OVER NICKEL
- SHELL CONSTRUCTION  
H: HIGH PROFILE,WITHOUT RIBBING  
WITHOUT FLANGE,WITH SPRING LATCH  
SHELL IS FOUR TAILS THROUGH HOLE TYPE
- SHELL PLATING  
N: SOLDERABLE NICKEL PLATED
- SUFFIX NO.  
C: SHELL AND HOUSING WITH FREEPORT "FA" LOGO

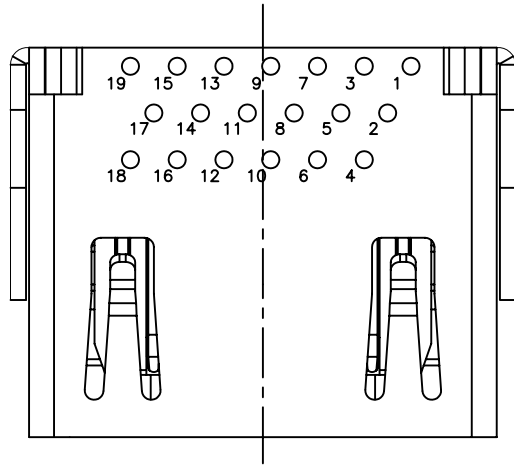


LEAD FREE

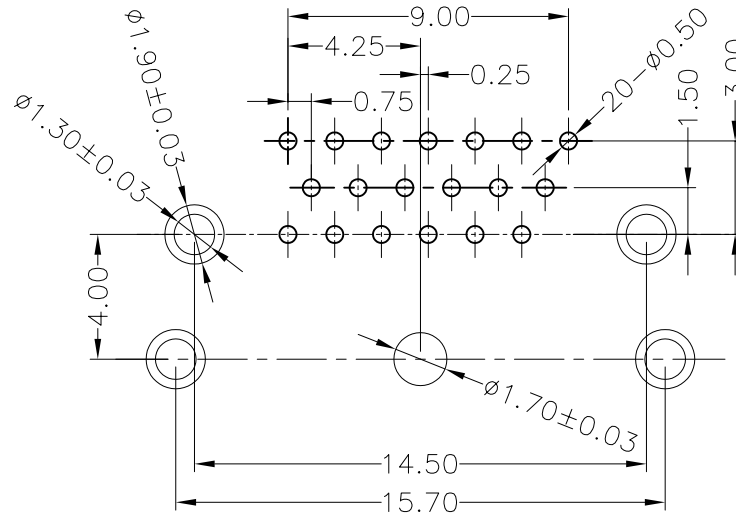
51L019S-35HN-C	PART NO.
----------------	----------

MATERIAL	TOLERANCE UNSPECIFIED	<b>FREEPORT</b>	
	± ±0.20 ±0.30 ± ±1°	SCALE 2.5:1	UNIT mm
FINISH	DRAWN	NAME	
	DESIGNER Zhangy8/6.08	HDMI R/A TYPE 19PIN	
	CHECKED Zhangy8/6.08	FEMALE CONN HIGH PROFILE	
APPROVED	DRAWING NO. R-S151L-15	SHEET 1/2	

REV	ZONE	LTR	DESCRIPTION	DATE	REVISER	APPD



PIN ASSIGNMENT



RECOMMENDED PCB LAYOUT  
(THICKNESS=1.6±0.15mm)

REMARKS:

1. MATERIAL:

- 1.1 INSULATOR: THERMOPLASTIC UL 94V-0 RATED,COLOR: BLACK
- 1.2 CONTACT: COPPER ALLOY
- 1.3 SHELL: COPPER ALLOY
- 1.4 BRACKET: THERMOPLASTIC UL94V-0 ,COLOR: BLACK

2. PLATING:

- 2.1 CONTACT:  
GOLD PLATED OVER NICKEL ON CONTACT AREA AND 100u" MIN. TIN OR GOLD PLATED OVER NICKEL ON SOLDER TAILS

2.2 SHELL:

SOLDERABLE NICKEL OR TIN ,GOLD PLATED

3.THIS PART SHOULD CONTAIN ANY SUBSTANCES WHICH ARE SPECIFIED IN KOA-2V03

LEAD FREE

1	THERMOPLASTIC	KINGFA	INSULATOR	5
9	COPPER ALLOY,T=0.20mm	TONGXIANG	SHORT CONTACT	4
10	COPPER ALLOY,T=0.20mm	TONGXIANG	LONG CONTACT	3
1	COPPER ALLOY,T=0.50mm	TONGXIANG	SHELL	2
1	THERMOPLASTIC	KINGFA	INSULATOR	1
QTY'S	SPECIFICATION	SUPPLIER	PART	ITEM

MATERIAL	TOLERANCE UNSPECIFIED			
	± ±0.20 ±0.30 ± ANGLE ± 1°			
FINISH	DRAWN <i>Zhangy8/6.08</i>	NAME	HDMI R/A TYPE 19PIN FEMALE CONN HIGH PROFILE	SHEET 2/2
	DESIGNER <i>Zhangy8/6.08</i>			
	CHECKED	DRAWING NO.	R-S151L-15	REV 1.0
	APPROVED			