

**RoHS Compliant**

REV	ZONE	LTR	DESCRIPTION	DATE	REVISER	APPD
2	D6	△	新增鍍銀電鍍碼"4"和"L"	1/4.06	ZW	PETERHU
3	D6	△	MODIFY ORDERING INFORMATION	01/25.06	WINDER	PETERHU

**ORDERING INFORMATION**

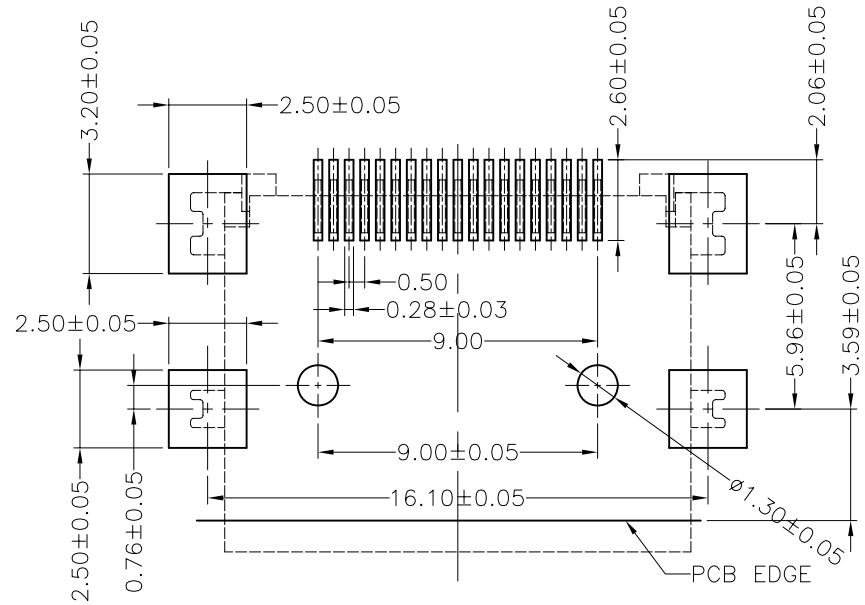
51 U 019 S - 3 \* 4 N - A R - B  
 (1) (2) (3) (4) (5) (6) (7) (8) (9) (10) (11)

- SERIES NO.  
51: HDMI CONNECTOR
- TAIL CONSTRUCTION TYPE  
U: SMT TYPE
- NUMBER OF PIN  
019: 19 POSITIONS
- CONTACT & CONNECTIONG TYPES:  
S: SOCKET
- : COLOR CODES  
3: BLACK
- CONTACT PLATING:  
0: GOLD FLASH OVER NICKEL  
2: 15u" GOLD OVER NICKEL  
3: 30u" GOLD OVER NICKEL
- SHELL CONSTRUCTION  
4: WITHOUT FLANGE AND WITHOUT TOP SPRING  
SOLDER TAIL IS SMT TYPE  
5: WITHOUT FLANGE AND WITH TOP SPRING  
SOLDER TAIL IS SMT TYPE
- SHELL PLATING  
△ T: TIN PLATED OVER NICKEL  
N: NICKEL PLATED  
L: 3u" GOLD PLATED OVER NICKEL  
4: GOLD FLASH PLATED OVER NICKEL
- SUFFIX NO.1  
△ A: ONLY HOUSING WITH FREEPORT LOGO  
B: WITHOUT FREEPORT LOGO  
C: HOUSING AND SHELL WITH FREEPORT LOGO
- SUFFIX NO.2  
△ NONE: PVC TRAY PACKAGE  
R: TAPE REEL PACKAGE
- SUFFIX NO.3  
△ NONE: SHELL MATERIAL IS PHOSPHOR BRONZE  
B: SHELL MATERIAL IS BRASS

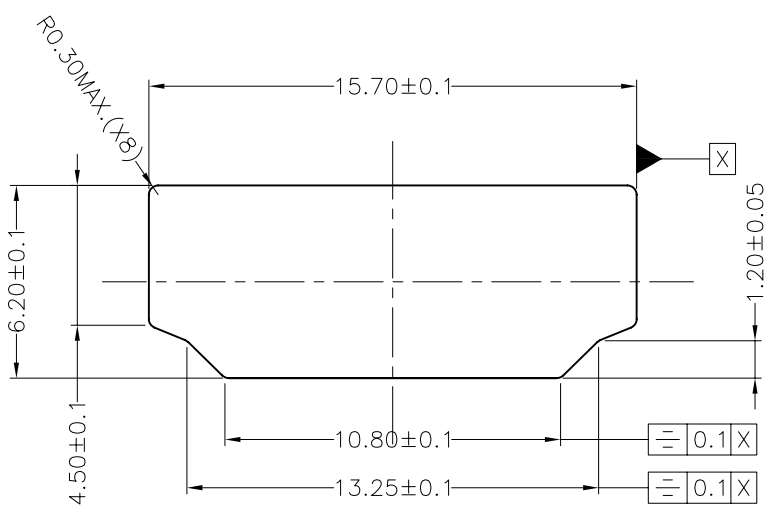
MATERIAL	TOLERANCE UNSPECIFIED		
	± ±0.20 ±0.25 ± ± 1°		
FINISH	DRAWN	SCALE	UNIT
	DESIGNER	1:1	mm
	CHECKED	SHEET	
	APPROVED	1/2	
NAME		REV	
HDMI RECEPTACLE SMT TYPE		3	
WITHOUT FLANGE 19PIN		DRAWING NO.	
R-S151U-2		A4	
RS151U21			

REV	ZONE	LTR	DESCRIPTION	DATE	REVISER	APPD
2	D6		ADD PACKING TYPE TO ORDERING	08/23/04	WINDER	PETERHU

A  
B  
C  
D  
E  
F

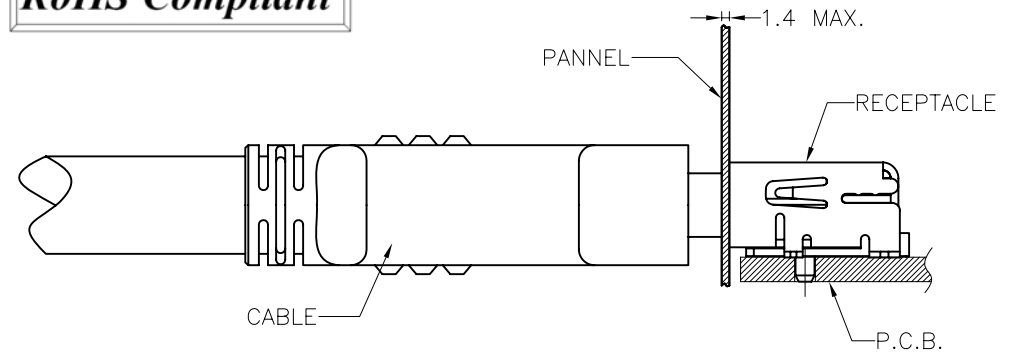


RECOMMENDED PCB LAYOUT (THICKNESS=1.6±0.15mm)



REFERENCE PANEL CUT OUT DIMENSION

**RoHS Compliant**



REFERENCE MOUNT DIMENSION

REMARKS:

1. MATERIAL:
  - 1.1 HOUSING: HIGH TEMPERATURE THERMOPLASTIC  
UL 94V-0 RATED.
  - 1.2 CONTACT: COPPER ALLOY
2. PLATING:
  - 2.1 CONTACT:  
GOLD PLATED OVER NICKEL ON CONTACT AREA  
AND 100u" MIN. TIN PLATED OVER NICKEL  
ON SOLDER TAILS
  - 2.2 SHELL:  
TIN PLATED OVER NICKEL OR NICKEL PLATED

MATERIAL 	TOLERANCE UNSPECIFIED ± ±0.20 ±0.25 ±	<b>FREEPORT</b>	
	ANGLE ± 1°	SCALE 1:1	UNIT mm
FINISH 	DRAWN <i>Winder</i> 02/13/04	NAME	
	DESIGNER <i>Winder</i> 02/13/04	HDMI RECEPTACLE SMT TYPE	
	CHECKED <i>winder</i>	WITHOUT FLANGE 19PIN	
APPROVED <i>peter3/1'06</i>	DRAWING NO. R-S151U-2	SHEET 2/2	
		REV 3	