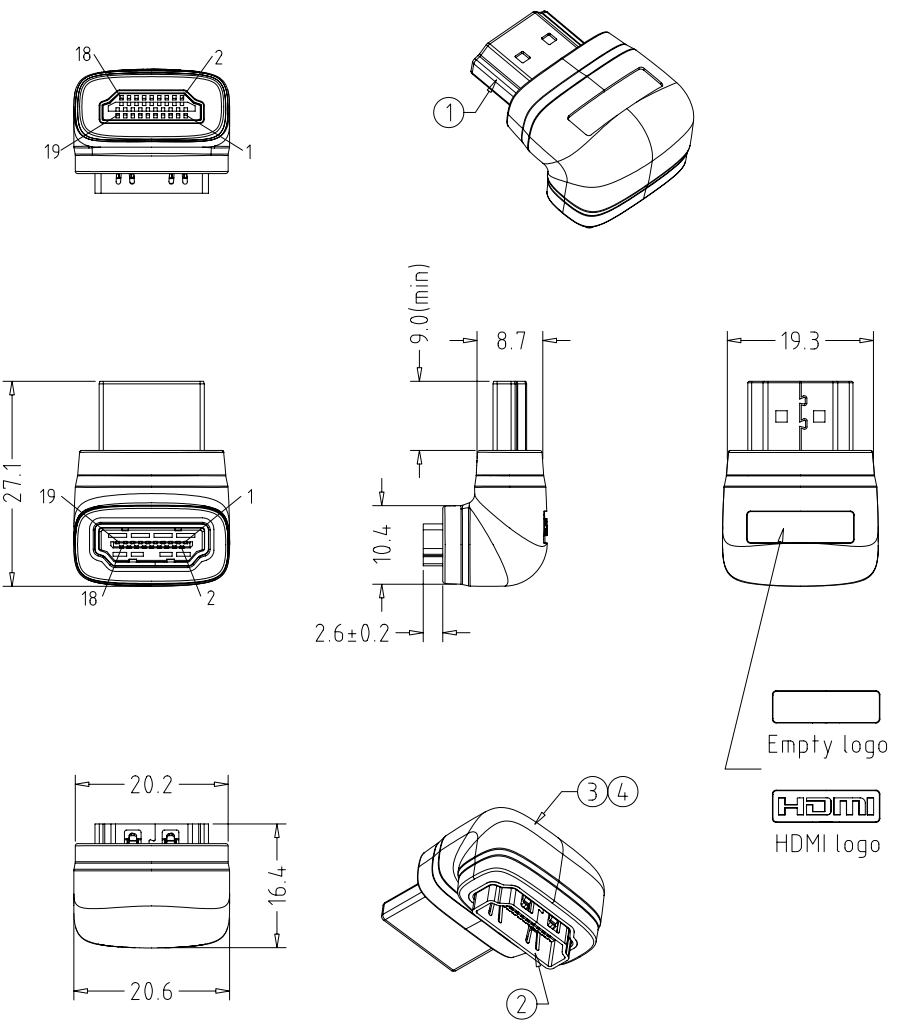


1		2		3		4		5		6		7		8					
CUSTOMER		CUST P/N		FREEPORT P/N		REV		ZONE		LTR		DESCRIPTION		DATE		REVISER		APPD	
ALL(Customer)				1901153-xxx															



ELECTRICAL CHARACTER:
 1)100% OPEN&SHORT TESTING
 2)WITHSTANDING VOLTAGE:DC 300V 0.01Sec
 3)INSULATION RESISTANCE:10M Ohm(Min)
 4)CONDUCTIVE RESISTANCE:2 Ohm(Max)

PIN ASSIGNMENT:

HDMI 19M(A)	HDMI 19F(B)
3	3
1	1
2	2
6	6
4	4
5	5
9	9
7	7
8	8
12	12
10	10
11	11
17	17
13	13
15	15
16	16
14	14
18	18
19	19
SHELL	SHELL

ORDERING INFORMATION:

19 01153 - * * *

[1] [2] [3] [4] [5]

[1] SERIES NUMBER:
19:Adapter Series

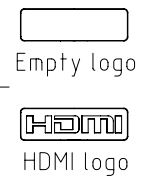
[2] SEQUENCE NO.:
01153(EX. 01001-01999):HDMI (A)MALE TO (A)FEMALE ADAPTER(270 Degree)

[3] OUTER MOLDING COLOR CODES:
2:Gray(P.T.432C) 3:Black 4:White
6:Blue 7:Red 9:Yellow

[4] Plating of contact&shell:
1:Contact plated gold 30u";Shell plated G/F
2:Contact plated gold 30u";Shell plated nickel
3:Contact plated gold 15u";Shell plated G/F
4:Contact plated gold 15u";Shell plated nickel

[5] SUFFIX NO.:
H:With HDMI logo
N:Empty logo
S:With special logo(customer logo)

RoHS Compliant



4	Overmold	PVC 70Pa UL94V-0	
3	Innrmold	PE Low density	
2	Conn	HDMI 19P/Female insulator-black plated DIP type	
1	Conn	HDMI 19P/Male insulator-black plated Solder type With A(M) TO A(F) 270° PCB	

NO.	PART NAME	SPEC DESCRIPTION	REMARK
INNERMOLD		TOLERANCE UNSPECIFIED .xxx ± .xx ± .x ± ANGLE ±	FREEPORT SCALE NON UNIT mm
OVERMOLD		DRAWN: Daniel DESIGNER: CHECKED: APPROVED:	
M1AD019F0N10		NAME: HDMI F-M 270 Degree Adapter SHEET: 1/1	
M2AD019F0N10		DRAWING NO. 1901153 REV 1.0	