

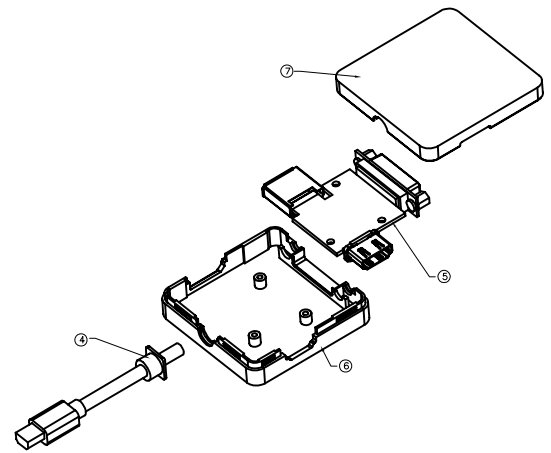
1	2		3		4		5		6		7		8	
CUSTOMER	CUST P/N	FREEPORT P/N		RoHS Compliant			REV	ZONE	LTR	DESCRIPTION		DATE	REVISER	APPD
ALL		18-9420B018-001												

ORDERING INFORMATION:
18-9420B018-001
 (1) (2) (3)
 (1) SERIES NUMBER:
 18 : CABLE SERIES
 (2) SEQUENCE NO.
 9420B018: Mini DP to Digi-Port type Adaptor
 (3) PACKING CODE :
 EMPTY: WITHOUT PACKING; 001: PE BAG PACKING

- Features:**
- . Converts low-swing AC coupled differential input to HDMI rev 1.3 compliant open-drain current steering Rx terminated differential output.
 - . Compliant to VESA Interop Guidelines.
 - . HDMI level shifting operation up to 2.5Gbps per lane(250MHz pixel clock).
 - . Integrated 50-ohm termination resistors for AC-coupled differential inputs.
 - . Enable/Disable feature to turn off TMDS outputs to enter low power state.
 - . I²C buffer for ATC DDC Cap test support.
 - . Transparent operation:no re-timing or configuration required.
 - . Level shifter for HPD single from HDMI connector.
 - . Integrated pull-down on HPD_sink input guarantees" input low"when no display is plugged in.
 - . Supports 1080p 60Hz at distance up to 3meters (length for use).

Electrical character:
 a. Function Test: by PC and monitor 1080P 60Hz test pass.

Note:
 a. User can only use one output port at one time.

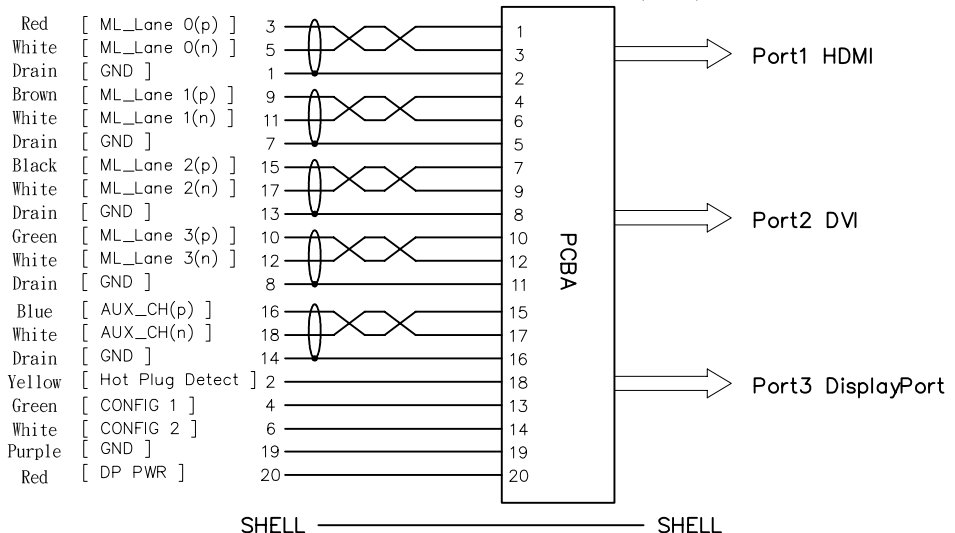


Preliminary

PIN ASSIGNMENT:

MINI DP PLUG (SOURCE)

(SINK)



NO.	PART NAME	SPEC DESCRIPTION	REMAKE
7	UP COVER	ABS UP COVER,WHITE COLOR	
6	BOTTOM COVER	ABS BOTTOM COVER,WHITE COLOR	
5	PCBA	HDMI A Female Shell Nickel Plated W/PCBA	
4	SR	PVC WHITE	
3	OUTER COVER	MINI DP CONNECTOR ABS OUTER COVER	
2	CONNECTOR 1	MINI DP CONNECTOR PLUG Shell Nickel Plated	
1	CABLE	UL20276 DISPLAYPORT CABLE IMPEDANCE:100 Ohm 32AWG	

	TOLERANCE UNSPECIFIED	FREEPORT			
	± ± 0.1 ± 0.38 ± ANGLE ±			SCALE NON	UNIT mm
	DRAWN: Haitao 2010/4/8	NAME Mini DP to Digi-Port type Adaptor			
	DESIGNER: Jim			SHEET 1/1	
	CHECKED: Kris				
APPROVED: Dived	DRAWING NO. 18-9420B018-001	REV 0.1			