

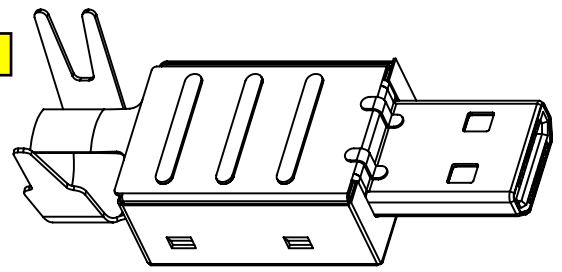
**PRELIMINARY**

REV	ZONE	LTR	DESCRIPTION	DATE	REVISER	APPD

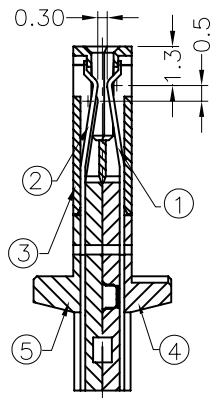
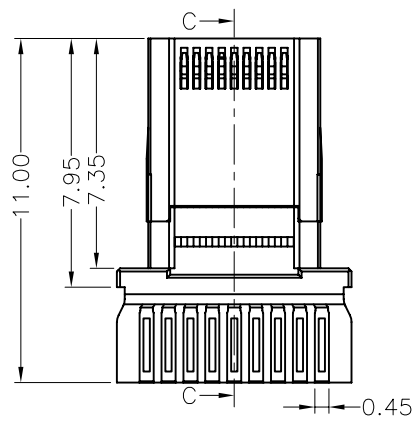
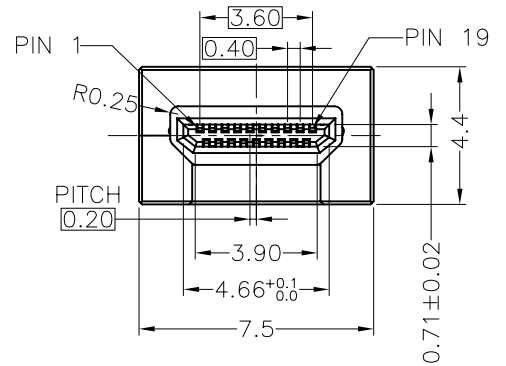
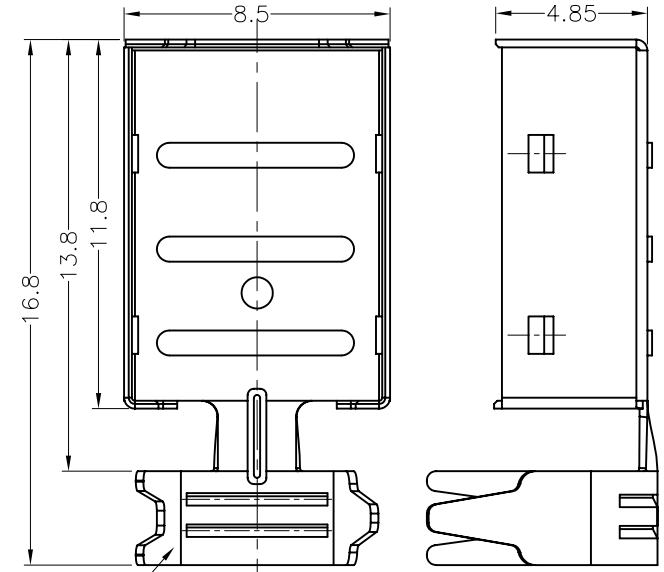
**ORDERING INFORMATION**

65 S 019 P- 3 \* 1 N - B  
 (1)(2)(3)(4)(5)(6)(7)(8)(9)

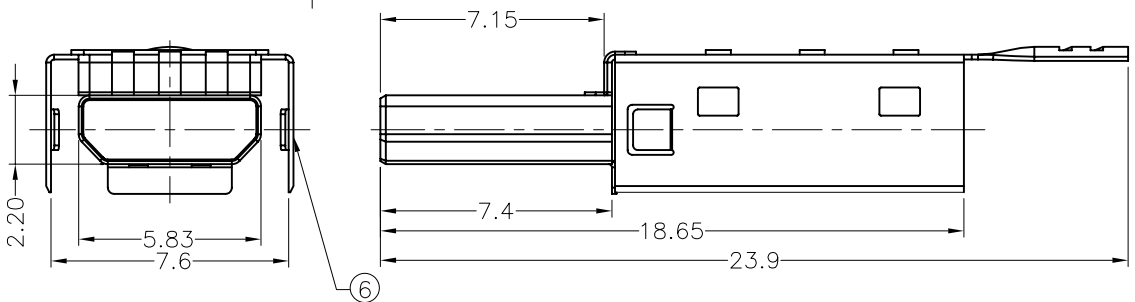
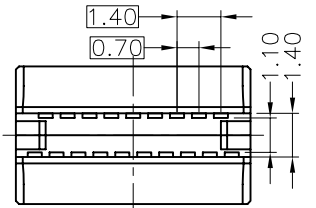
- SERIES NO.  
65: HDMI D TYPE CONNECTOR
- TAIL CONSTRUCTION TYPE  
S: SOLDER TYPE
- NUMBER OF PIN  
019: 19 POSITIONS
- CONTACT & CONNETING TYPE  
P: PLUG
- COLOR CODES:  
3: BLACK  
4: WHITE
- CONTACT PLATING  
0: GOLD FLASH OVER NICKEL  
2:15u" GOLD OVER NICKEL  
3: 30u" GOLD OVER NICKEL
- SHELL CONSTRUCTION  
1: WITH HARPOON PROFILE FOR SHELL
- SHELL PLATING  
N: SOLDERABLE NICKEL PLATED  
L: Au:3u" GOLD MINI ALL PLATED
- SUFFIX NO.  
A: WITH FREEPORT LOGO  
B: WITHOUT FREEPORT LOGO



CONNECTOR 3D



SEC C-C  
SCALE 1:1



ITEM	PART NAME	Q'TY/EA	MATERIALS	NOTE
⑦	BACK SHELL	1	SPCC	
⑥	FRONT SHELL	1	SUS304-H/2	
⑤	BOTTOM COVER	1	PBT	
④	TOP COVER	1	PBT	
③	HOUSING	1	LCP	UL94V-0
②	10P CONTACT	1	COPPER ALLOY	GOLD, OR NICKEL PLATING
①	9P CONTACT	1	COPPER ALLOY	Cu ALL OVER.PLATED OVER NICKEL

MATERIAL	TOLERANCE UNSPECIFIED	<b>FREEPORT</b> FREEPORT RESOURCES ENTERPRISES CORP.	SCALE	NO	UNIT	mm		
	± 0.10 ± 0.15 ± 0.25 ± 1°							
DRAWN	Bill_wy 09/07-09	NAME	HDMI D TYPE PLUG		SHEET	1/1		
	DESIGNER		Frecqin 06/24-09	SOLDER TYPE				
	CHECKED		Dimie 09/07-09	DRAWING NO.			REV	
	APPROVED		Dimie 09/07-09	R-S165S-1			0.2	