

PART NO.	A	B	C
51U019S-**2*-*	9.975	16.05	7.20
51U019S-**3*-*	7.975	14.53	5.20
51U019S-**A*-*			
51U019S-**B*-*			

**RoHS Compliant**

REV	ZONE	LTR	DESCRIPTION	DATE	REVISER	APPD
2		▲	新增鐵鍍電鍍碼"4"和"L"	1/4'06	ZW	PETERHU
3		▲	MODIFY ORDERING INFORMATION	01/17.06	WINDER	PETERHU

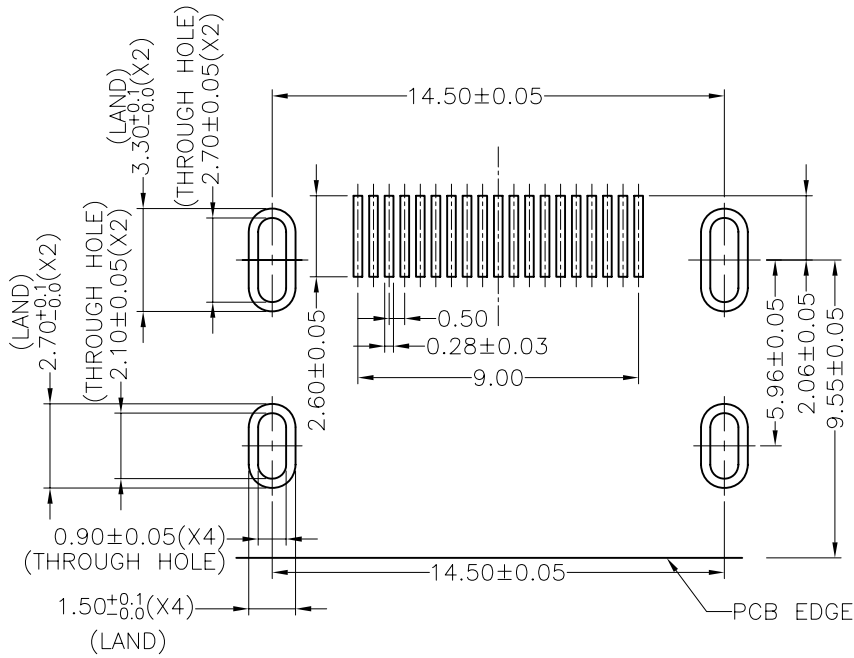
**ORDERING INFORMATION**

51 U 019 S - 3 \* 2 N - A 4 R - B  
 (1) (2) (3) (4) (5) (6) (7) (8) (9) (10) (11) (12)

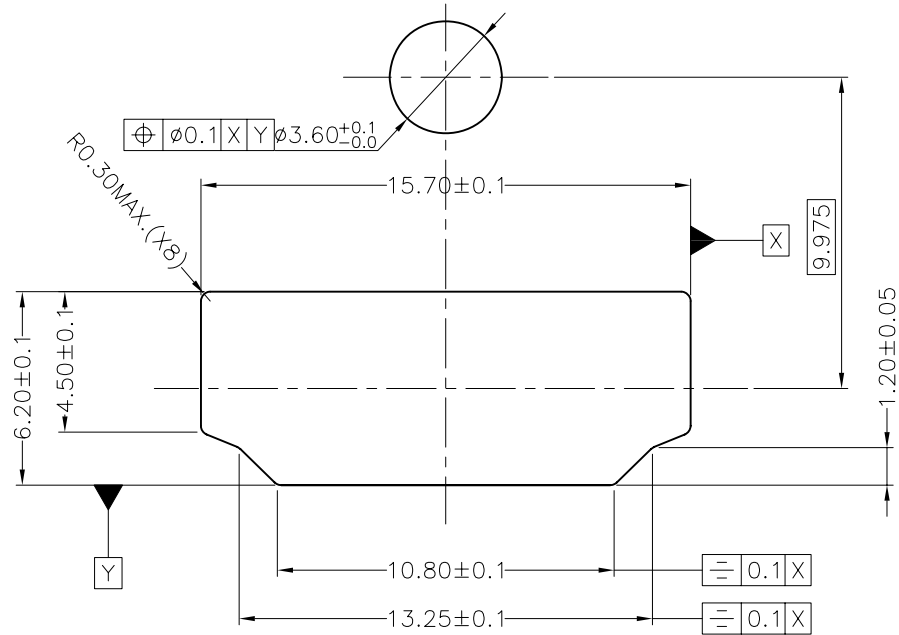
- SERIES NO.  
51: HDMI CONNECTOR
- TAIL CONSTRUCTION TYPE  
U: SMT TYPE
- NUMBER OF PIN  
019: 19 POSITIONS
- CONTACT & CONNECTION TYPES:  
S: SOCKET
- COLOR CODES  
3: BLACK
- CONTACT PLATING:  
0: GOLD FLASH OVER NICKEL  
2: 15u" GOLD OVER NICKEL  
3: 30u" GOLD OVER NICKEL
- SHELL CONSTRUCTION  
2: WITH FLANGE, HEIGHT IS 9.975MM AND WITHOUT TOP SPRING  
SOLDER TAIL IS THROUGH HOLE TYPE  
3: WITH FLANGE, HEIGHT IS 9.975MM AND WITH TOP SPRING  
SOLDER TAIL IS THROUGH HOLE TYPE  
A: WITH FLANGE, HEIGHT IS 7.975MM AND WITHOUT TOP SPRING  
SOLDER TAIL IS THROUGH HOLE TYPE  
B: WITH FLANGE, HEIGHT IS 7.975MM AND WITH TOP SPRING  
SOLDER TAIL IS THROUGH HOLE TYPE
- SHELL PLATING  
▲ T: TIN PLATED OVER NICKEL  
N: NICKEL PLATED  
L: 3u" GOLD PLATED OVER NICKEL  
4: GOLD FLASH PLATED OVER NICKEL
- SUFFIX NO.1  
▲ A: ONLY HOUSING WITH FREEPORT LOGO  
B: WITHOUT FREEPORT LOGO  
C: HOUSING AND SHELL WITH FREEPORT LOGO
- SUFFIX NO.2  
▲ NONE: SHELL WITH RIB  
4: SHELL WITHOUT RIB
- SUFFIX NO.3  
▲ NONE: PVC TRAY PACKAGE  
R: TAPE REEL PACKAGE
- SUFFIX NO.4  
▲ NONE: SHELL MATERIAL IS PHOSPHOR BRONZE  
B: SHELL MATERIAL IS BRASS

MATERIAL	TOLERANCE UNSPECIFIED ± ±0.20 ±0.25			SCALE	UNIT
	ANGLE ± 1°			1:1	mm
FINISH	DRAWN <i>Winder</i> 02/13.04	NAME		SHEET	
	DESIGNER <i>Winder</i> 02/13.04	HDMI RECEPTACLE SMT TYPE			
	CHECKED <i>winder</i>	WITH FLANGE 19PIN			
APPROVED <i>peter3/2'06</i>	DRAWING NO.		R-S151U-1	REV	
			3		

REV	ZONE	LTR	DESCRIPTION	DATE	REVISER	APPD

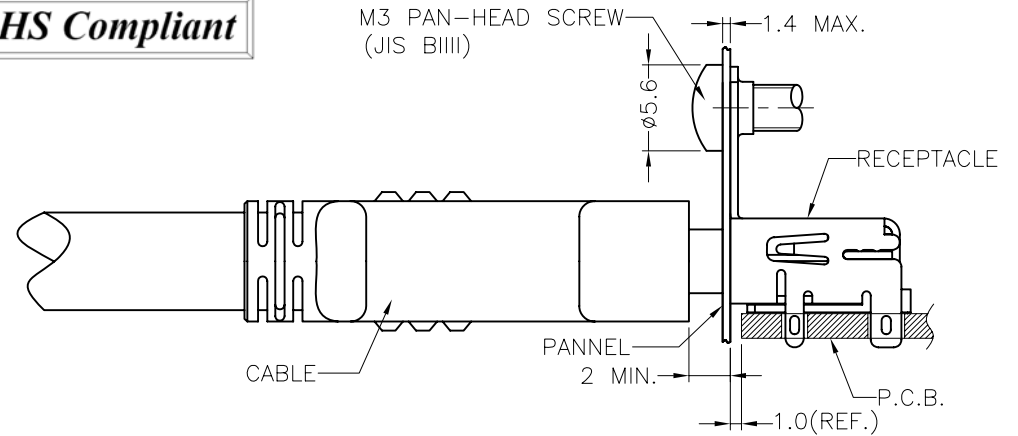


RECOMMENDED PCB LAYOUT (THICKNESS=1.6±0.15mm)



REFERENCE PANEL CUT OUT DIMENSION

**RoHS Compliant**



REFERENCE MOUNT DIMENSION

REMARKS:

1. MATERIAL:
  - 1.1 HOUSING: HIGH TEMPERATURE THERMOPLASTIC  
UL 94V-0 RATED.
  - 1.2 CONTACT: COPPER ALLOY
2. PLATING:
  - 2.1 CONTACT:  
GOLD PLATED OVER NICKEL ON CONTACT AREA  
AND 100u" MIN. TIN PLATED OVER NICKEL  
ON SOLDER TAILS
  - 2.2 SHELL:  
TIN PLATED OVER NICKEL OR NICKEL PLATED

MATERIAL		TOLERANCE UNSPECIFIED		PART NO.	
FINISH		± ±0.20 ±0.25 ANGLE ± 1°		<b>FREEPORT</b> SCALE 1:1 UNIT mm	
		DRAWN <i>Winder</i> 02/13.04 DESIGNER <i>Winder</i> 02/13.04 CHECKED <i>winder</i> APPROVED <i>peter3/2'06</i>		NAME HDMI RECEPTACLE SMT TYPE WITH FLANGE 19PIN SHEET 2/2	
		DRAWING NO. R-S151U-1		REV 3	
		A4		RS151U12	