

REV	ZONE	LTR	DESCRIPTION	DATE	REVISER	APPD

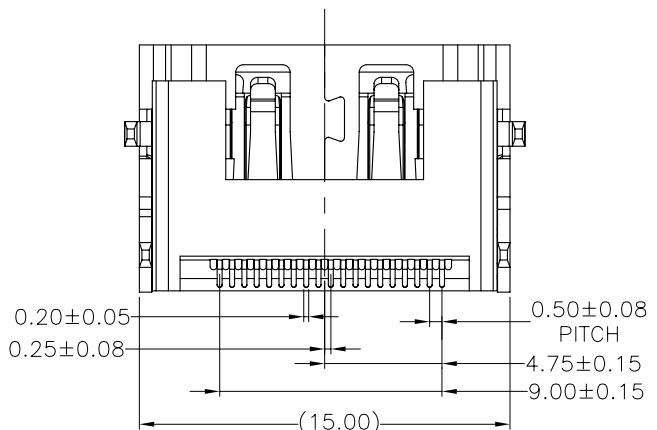
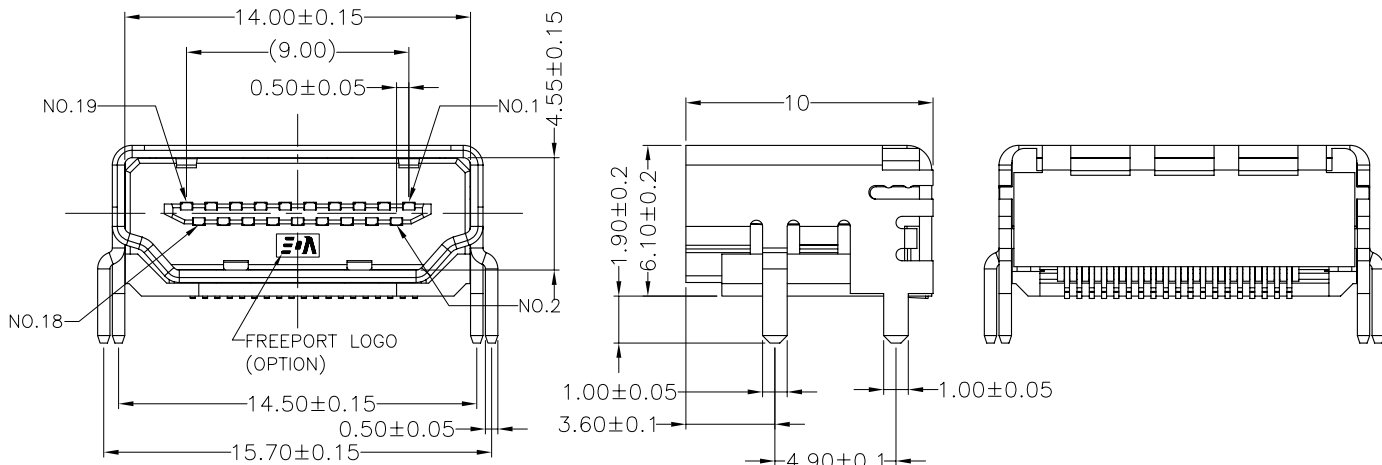
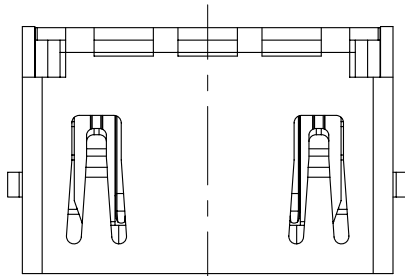
ORDERING INFORMATION


51 U 019 S - 3 * E N - B (R)
 (1) (2) (3) (4) (5) (6) (7) (8) (9)(10)

- SERIES NO.
51: HDMI CONNECTOR
- TAIL CONSTRUCTION TYPE
U: SMT TYPE
- NUMBER OF PIN
019: 19 POSITIONS
- CONTACT & CONNECTIONG TYPES:
S: SOCKET
- COLOR CODES
3: BLACK
- CONTACT PLATING:
0: GOLD FLASH OVER NICKEL
2: 15u" GOLD OVER NICKEL
3: 30u" GOLD OVER NICKEL
- SHELL CONSTRUCTION
E: LOW PROFILE,
WITHOUT FLANGE AND WITH SPRING LATCH
SHELL TAIL IS THROUGH HOLE TYPE
- SHELL PLATING
N: SOLDERABLE NICKEL PLATED
T: TIN PLATED
L: ALL 3u" GOLD PLATED
4: ALL GOLD FLASH PLATED
- SUFFIX NO.1
A: WITH FREEPORT LOGO
B: WITHOUT LOGO
- SUFFIX NO.2
NONE: WITH PVC TRAY PACKING
R: WITH TAPE REEL PACKING

RoHS Compliant

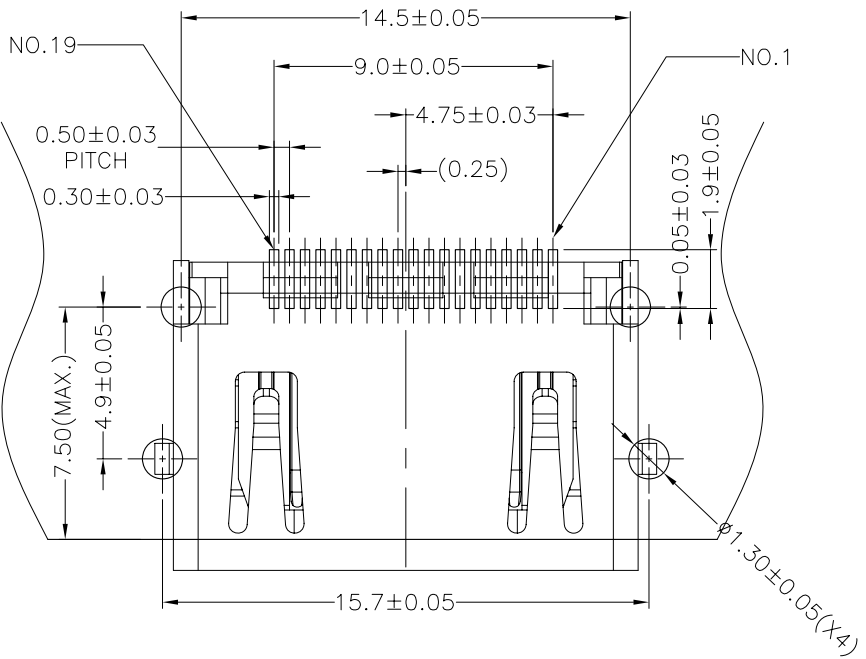
REMARKS:
 COPLANARITY OF SMT TERMINAL IS 0.10 MAX.



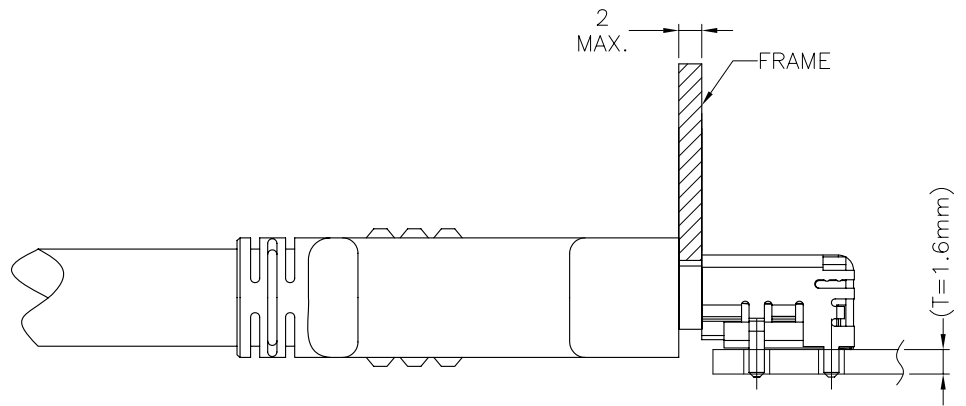
MATERIAL		TOLERANCE UNSPECIFIED		PART NO.	
FINISH		± ∙ ∙ ∙ ±0.25 ∙ ±0.38 ∙ ±0.8 ∙ ±1"		 FREEPORT	
		ANGLE ±1" DRAWN Mary 07/18/06 DESIGNER Mary 07/18/06 CHECKED Winder APPROVED Peterhu		SCALE 1:1 UNIT mm NAME HDMI RECEPTACLE SMT TYPE WITHOUT FLANGE LOW PROFILE DRAWING NO. R-S151U-11 SHEET 1/2 REV 1	
A4		RS151U111			

REV	ZONE	LTR	DESCRIPTION	DATE	REVISER	APPD

A
B
C
D
E
F



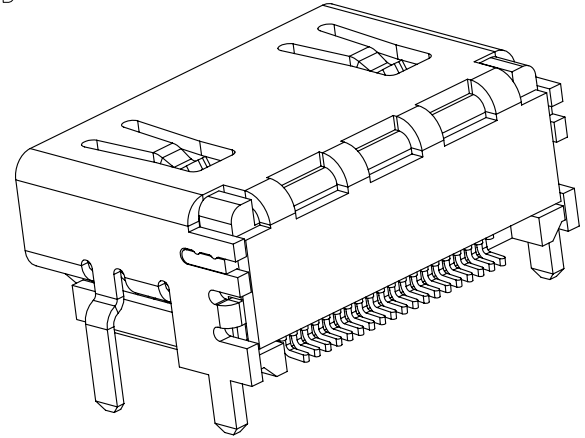
RECOMMENDED PCB LAYOUT (THICKNESS=1.6±0.15mm)



REFERENCE MOUNT DIMENSION

REMARKS:

- 1. MATERIAL:
- 1.1 HOUSING: HIGH TEMPERATURE THERMOPLASTIC
UL 94V-0 RATED
- 1.2 CONTACT: COPPER ALLOY
- 2. PLATING:
- 2.1 CONTACT:
GOLD PLATED OVER NICKEL ON CONTACT AREA
AND 100u" MIN. TIN PLATED OVER NICKEL
ON SOLDER TAILS
- 2.2 SHELL:
SOLDERABLE NICKEL PLATED
OR TIN OR GOLD PLATED



RoHS Compliant

MATERIAL		TOLERANCE UNSPECIFIED		PART NO.	
/		±			
		±0.25			
/		±0.38		SCALE 1:1	
		±0.8		UNIT mm	
FINISH		ANGLE ± 1°		DRAWN	
/		DRAWN		DESIGNER	
		Mary 07/18/06		Mary 07/18/06	
		DESIGNER		CHECKED	
		Winder		APPROVED	
/		Peterhu		NAME	
				HDMI RECEPTACLE SMT TYPE WITHOUT FLANGE LOW PROFILE	
				DRAWING NO. R-S151U-11	
				SHEET 2/2	
				REV 1	