




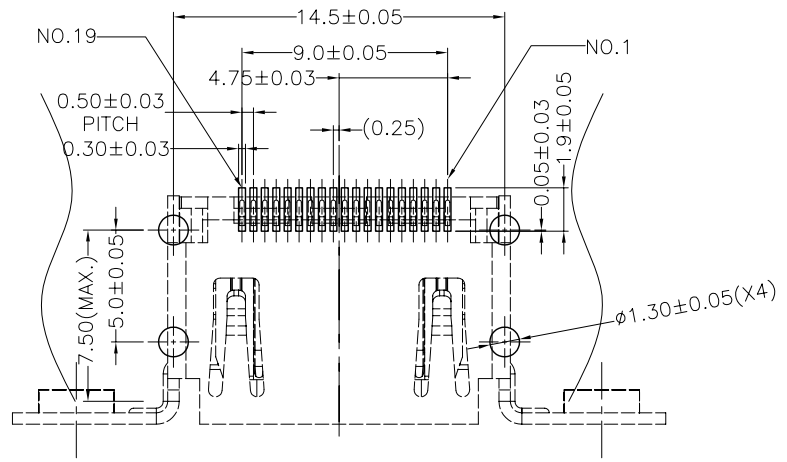
REV	ZONE	LTR	DESCRIPTION	DATE	REVISER	APPD

RoHS Compliant

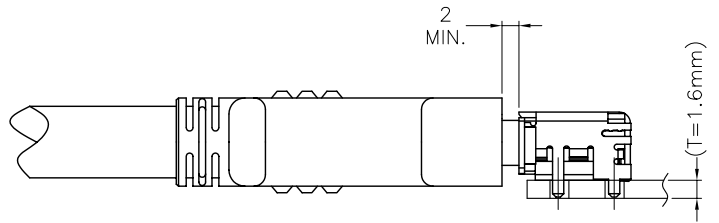
MATERIAL	TOLERANCE UNSPECIFIED ± ±0.15 ±0.20 ±0.30 ANGLE ± 1°	 FREEPORT	
		  SCALE 1:1	UNIT mm
FINISH	DRAWN <i>Hixing</i> 09/13.06 DESIGNER <i>Hixing</i> 09/13.06 CHECKED Winder APPROVED Peterhu	NAME HDMI RECEPTACLE SMT TYPE WITH WING LOW PROFILE SHEET 1/2	
		DRAWING NO. R-S151U-50	REV 1.0

REV	ZONE	LTR	DESCRIPTION	DATE	REVISER	APPD

A
B
C
D
E
F



RECOMMENDED PCB LAYOUT (THICKNESS=1.6±0.15mm)



REFERENCE MOUNT DIMENSION

REMARKS:

- 1. MATERIAL:
 - 1.1 HOUSING: HIGH TEMPERATURE THERMOPLASTIC UL 94V-0 RATED
 - 1.2 CONTACT: COPPER ALLOY
- 2. PLATING:
 - 2.1 CONTACT: GOLD PLATED OVER NICKEL ON CONTACT AREA AND 100u" MIN. TIN PLATED OVER NICKEL ON SOLDER TAILS
 - 2.2 SHELL: SOLDERABLE NICKEL PLATED OR TIN PLATED

RoHS Compliant

ORDERING INFORMATION

51 U 019 S - 3 * W N- B
 (1) (2) (3) (4) (5) (6) (7) (8) (9)

- 1. SERIES NO.
- 51: HDMI CONNECTOR
- 2. TAIL CONSTRUCTION TYPE
- U: SMT TYPE
- 3. NUMBER OF PIN
- 019: 19 POSITIONS
- 4. CONTACT & CONNECTIONG TYPES:
- S: SOCKET
- : COLOR CODES
- 3: BLACK
- 6: CONTACT PLATING:
- 0: GOLD FLASH OVER NICKEL
- 2: 15u" GOLD OVER NICKEL
- 3: 30u" GOLD OVER NICKEL
- 7: SHELL CONSTRUCTION
- W: LOW PROFILE, WITH WING AND SPRING LATCH
- SHELL TAIL IS THROUGH HOLE TYPE
- 8: SHELL PLATING
- N: SOLDERABLE NICKEL PLATED
- T: TIN PLATED
- 4: GOLD FLASH PLATED
- 9: SUFFIX NO.
- A: WITH FREEPORT LOGO
- B: WITHOUT LOGO

MATERIAL	TOLERANCE UNSPECIFIED			
		SCALE	UNIT	SHEET
FINISH	DRAWN	NAME		2/2
	DESIGNER			
	CHECKED	HDMI RECEPTACLE SMT TYPE WITH WING LOW PROFILE		REV
	APPROVED			