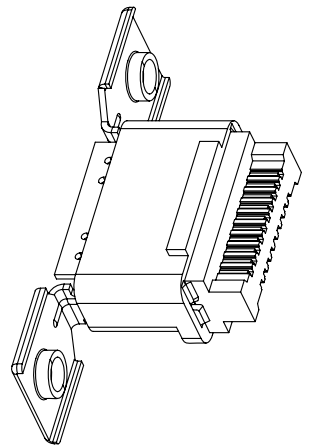
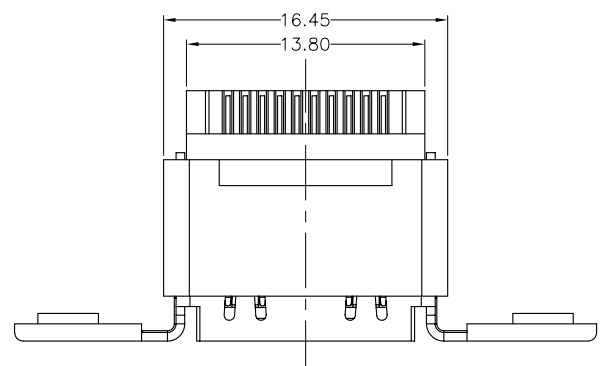


REV	ZONE	LTR	DESCRIPTION	DATE	REVISER	APPD

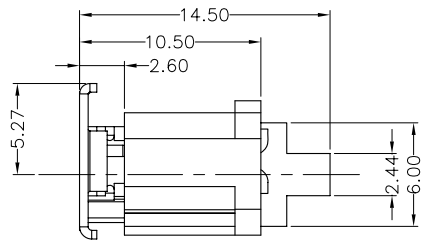
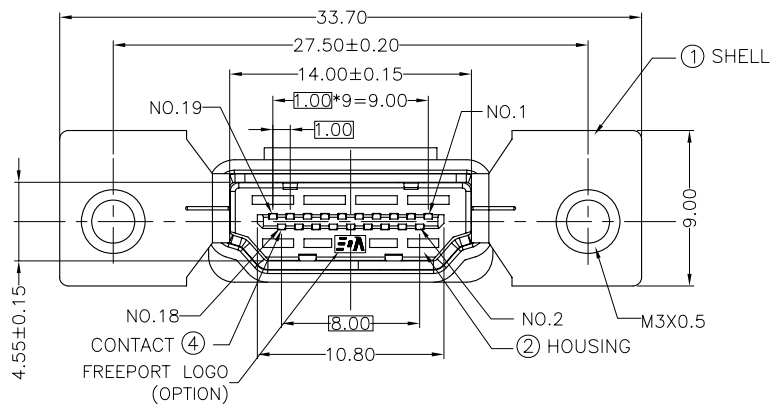
A
B
C
D
E
F



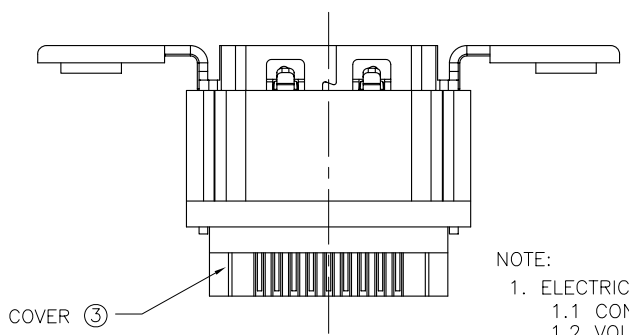
ORDERING INFORMATION:

51S 019 S - 3 * * W - *
 (1) (2) (3) (4) (5) (6) (7) (8)

- (1) SERIES NUMBER:
51S : HDMI CONNECTOR, SOLDER TYPE
- (2) NO. OF POSITION:
019 : 19POSITIONS
- (3) CONTACT &CONNECTING TYPES:
S : SOCKET(RECEPTACLE)
- (4) COLOR CODES:
3 :BLACK
- (5) PLATING OF CONTACT :
0 : GOLD FLASH OVER NICKEL
2 : 15u"GOLD OVER NICKEL
3 : 30u"GOLD OVER NICKEL
- (6) PLATING OF SHELL :
N : Ni PLATING
L : Au:3u"Min. PLATING
T : TIN PLATING
4 : ALL GOLD FLASH PLATING
- (7) SHELL CONTRUCTION TYPE:
W : SHELL WITH WING,SOLDER TYPE
- (8) SUFFIX NO. :
A : WITH FREEPORT LOGO
B : WITHOUT FREEPORT LOGO



RoHS Compliant



- NOTE:
- 1. ELECTRICAL :
 - 1.1 CONTACT CURRENT RATING: 0.5A MIN.
 - 1.2 VOLTAGE RATING :40V AC (rms)
 - 1.3 WITHSTANDING VOLTAGE: 300 VAC FOR 1 MINUTE.
 - 1.4 INSULATION RESISTANCE: 100 MEGAOHMS MIN.
 - 1.5 CONTACT RESISTANCE: 30 MILLIOHMS MAX.
 - 2. ENVIRONMENTAL :
 - 2.1 OPERATING TEMPERATURE:-25°C TO +85°C

④	CONTACT	19	COPPER ALLOY	GOLD PLATED OVER NICKEL
③	COVER	1	THERMOPLASTIC	UL94V-0
②	HOUSING	1	THERMOPLASTIC	UL94V-0
①	SHELL	1	COPPER ALLOY	GOLD, OR NICKEL PLATING
ITEM	PART NAME	Q'TY/EA	MATERIALS	NOTE

MATERIAL	TOLERANCE UNSPECIFIED ± ±0.20 ±0.25 ±0.40		SCALE	UNIT
FINISH	ANGLE ± 1°		1:1	mm
	DRAWN Mary 07/18/06	NAME	HDMI RECEPTACLE WITH WING SOLDER TYPE	
	CHECKED	DRAWING NO.	R-S151S-A	
	APPROVED			SHEET 1/1
				REV 1