

REV	ZONE	LTR	DESCRIPTION	DATE	REVISER	APPD
-----	------	-----	-------------	------	---------	------

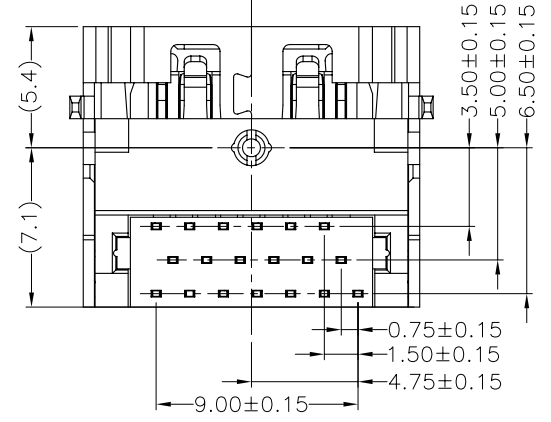
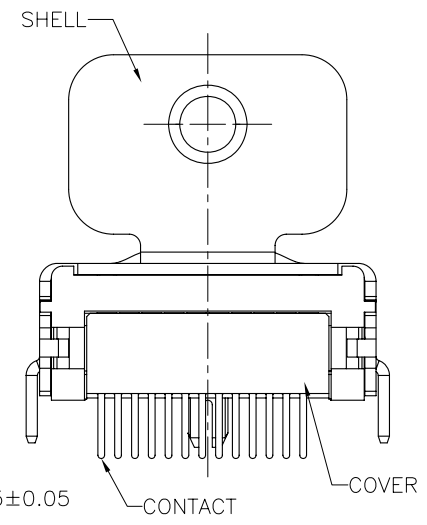
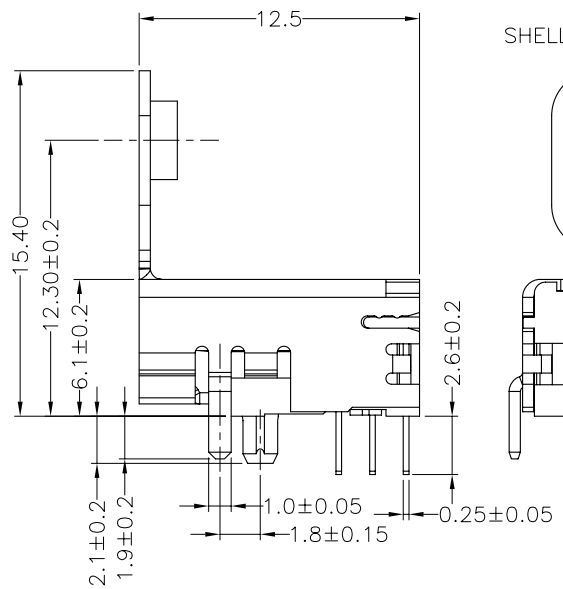
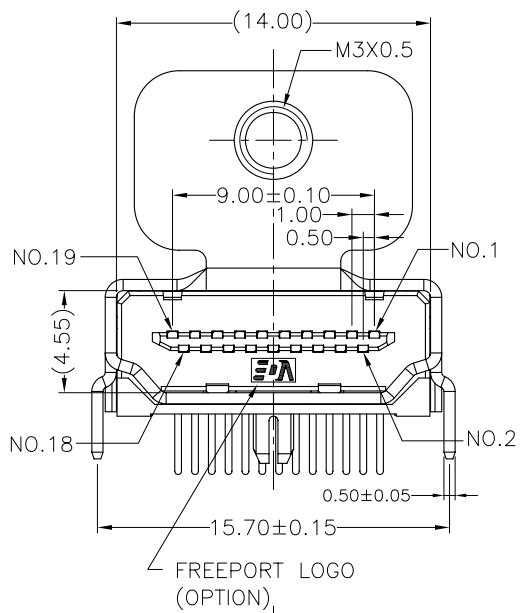
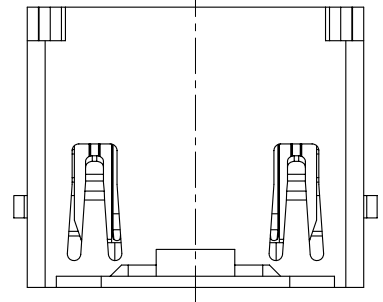
ORDERING INFORMATION

51 L 019 S - 3 * * * _ *
 (1) (2) (3) (4) (5) (6) (7) (8) (9)

- SERIES NO.
51: HDMI CONNECTOR
- TAIL CONSTRUCTION TYPE
L: RIGHT ANGLE THROUGH HOLE TYPE
- NUMBER OF PIN
019: 19 POSITIONS
- CONTACT & CONNECTIONG TYPES:
S: SOCKET
- COLOR CODES
3: BLACK
- CONTACT PLATING:
0: GOLD FLASH OVER NICKEL
2: 15u" GOLD OVER NICKEL
3: 30u" GOLD OVER NICKEL
- SHELL CONSTRUCTION
D: LOW PROFILE,
WITH FLANGE AND SPRING LATCH
SHELL TAIL IS THROUGH HOLE TYPE
- SHELL PLATING
N: SOLDERABLE NICKEL PLATED
T: TIN PLATED
L: 3U" GOLD PLATED
4: GOLD FLASH PLATED
- SUFFIX NO.
A: WITH FREEPORT LOGO
B: WITHOUT LOGO

A
B
C
D
E
F

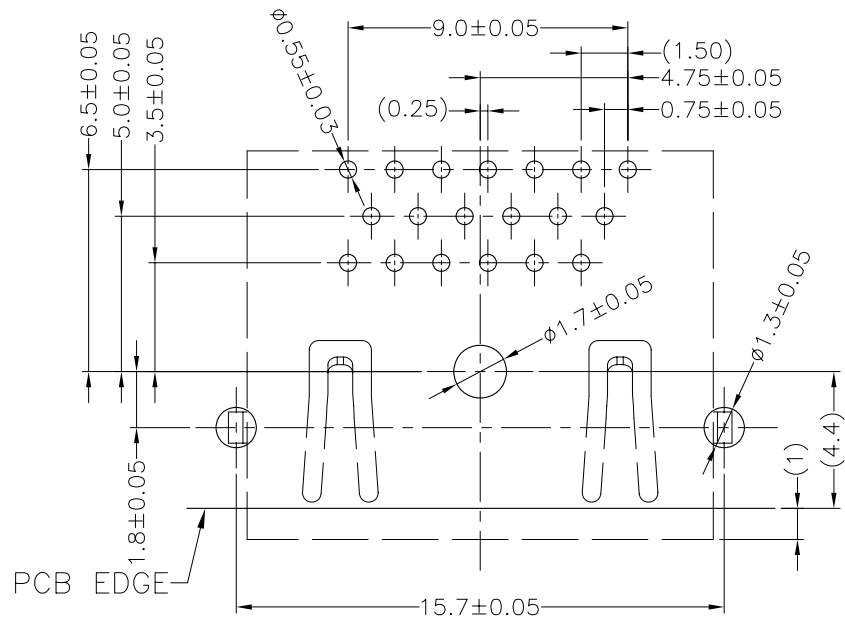
A
B
C
D
E
F



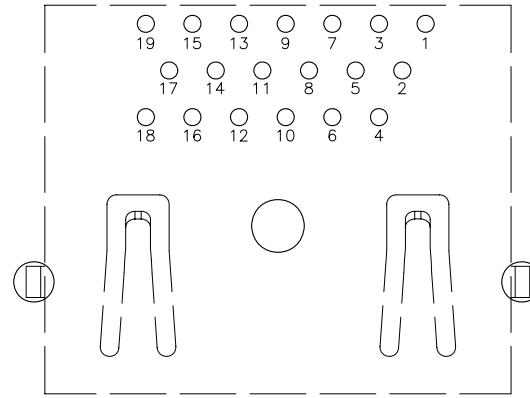
RoHS Compliant

MATERIAL		TOLERANCE UNSPECIFIED		PART NO.	
/		±			
		±0.25			
/		±0.38		SCALE 1:1 UNIT mm	
		ANGLE ±1°		SHEET 1/2	
FINISH		DRAWN Mary 07/18/06		NAME	
/		DESIGNER		HDMI RECEPTACLE THROUGH HOLE	
		CHECKED		LOW PROFILE WITH FLANGE	
		APPROVED		DRAWING NO. R-S151L-0	
				REV 1	
				A4 RS151L01	

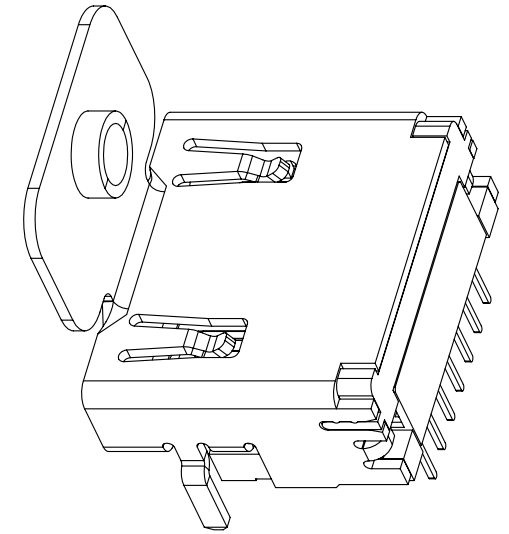
REV	ZONE	LTR	DESCRIPTION	DATE	REVISER	APPD



RECOMMENDED PCB LAYOUT
(THICKNESS=1.6±0.15mm)



PIN ASSIGNMENT



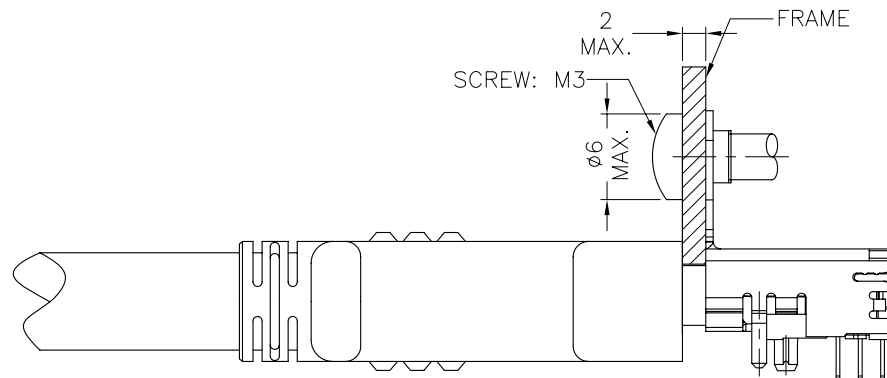
REMARKS:

1. MATERIAL:

- 1.1 HOUSING: HIGH TEMPERATURE THERMOPLASTIC UL 94V-0 RATED
- 1.2 COVER: HIGH TEMPERATURE THERMOPLASTIC UL 94V-0
- 1.3 CONTACT: COPPER ALLOY

2. PLATING:

- 2.1 CONTACT: GOLD PLATED OVER NICKEL ON CONTACT AREA
AND 100u" MIN. TIN PLATED OVER NICKEL ON SOLDER TAILS
- 2.2 SHELL: SOLDERABLE NICKEL PLATED OR TIN PLATED OR GOLD PLATED



REFERENCE MOUNT DIMENSION

RoHS Compliant

MATERIAL			TOLERANCE UNSPECIFIED		PART NO.	
/			±			
			±0.25			
/			±0.38		SCALE 1:1	
			±0.38		UNIT mm	
FINISH			ANGLE ± 1°		SHEET	
/			DRAWN Mary 07/18/06		NAME	
			DESIGNER		HDMI RECEPTACLE THROUGH HOLE	
			CHECKED		WITH FLANGE LOW PROFILE	
			APPROVED		DRAWING NO. R-S151L-0	
/			REV 1		A4 RS151L02	