

1		2		3		4		5		6		7		8	
CUSTOMER	CUST P/N	FREEPORT P/N		REV	ZONE	LTR	DESCRIPTION			DATE	REVISER	APPD			
ALL(Customer)		1901135-xxx													

ORDERING INFORMATION:

- 19 01135 - * * *
- [1] [2] [3] [4] [5]
- [1] SERIES NUMBER:
19:Adapter Series
- [2] SEQUENCE NO.:
01135(EX. 01001-01999):HDMI (A)FEMALE TO (C)MALE ADAPTER
- [3] OUTER MOLDING COLOR CODES:
3:BLACK 4:WHITE 6:BLUE 7:RED 9:YELLOW
- [4] PLATING OF SHELL:
1:SHELL PLATED GOLD
2:SHELL PLATED NI
- [5] SUFFIX NO.:
A:WITH FREEPORT&HDMI LOGO
B:WITH HDMI LOGO; WITHOUT FREEPORT LOGO
C:WITHOUT LOGO

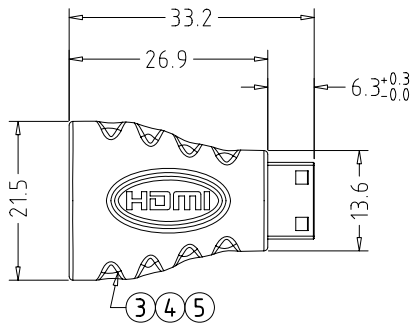
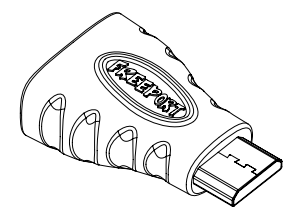
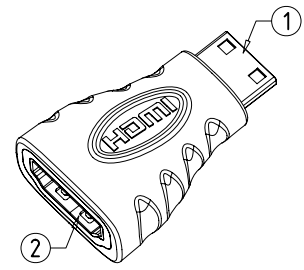
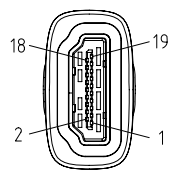
PIN ASSIGNMENT:

HDMI 19/F	MINI HDMI 19/M
3	3 TMDS data2-
1	2 TMDS data2+
2	1 TMDS data2 Shield
6	6 TMDS data1-
4	5 TMDS data1+
5	4 TMDS data1 Shield
9	9 TMDS data0-
7	8 TMDS data0+
8	7 TMDS data0 Shield
12	12 TMDS Clock-
10	11 TMDS Clock+
11	10 TMDS Clock Shield
17	13 DDC/CEC Ground
13	14 CEC
15	15 SCL
16	16 SDA
14	17 Reserved
18	18 +5V Power
19	19 Hot Plug Detect
SHELL	SHELL

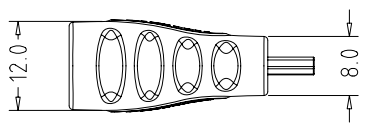
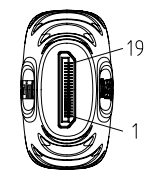
- ELECTRICAL CHARACTER:**
- 100% OPEN&SHORT TESTING
 - WITHSTANDING VOLTAGE:DC 300V 0.01Sec
 - INSULATION RESISTANCE:10M Ohm(Min)
 - CONDUCTIVE RESISTANCE:2 Ohm(Max)



HDMI 19/F



MINI HDMI 19/M



MATERIAL:

- 1)CONN:MINI HDMI 19P/M 30U"/AU BLACK SHELL G/F PLATED
SOLDER TYPE With A(M) TO C(F) PCB
- 2)CONN:HDMI 19P/F 30U"/AU BLACK SHELL G/F PLATED
- 3)INNERMOLD:PE LOW DENSITY
- 4)OVERMOLD:PVC 25Pa BLACK UL94V-0
- 5)OVERMOLD:PVC 70Pa BLACK UL94V-0

The product must be in line with RoHS specification

MATERIAL 	TOLERANCE UNSPECIFIED .xxx ± .xx ± .x ± ANGLE ±	FREEPORT		
	FINISH 	SCALE NON	UNIT mm	
		NAME HDMI A(F) TO C(M) Adapter		SHEET 1/1
		DRAWING NO. 1901135		REV 1.0