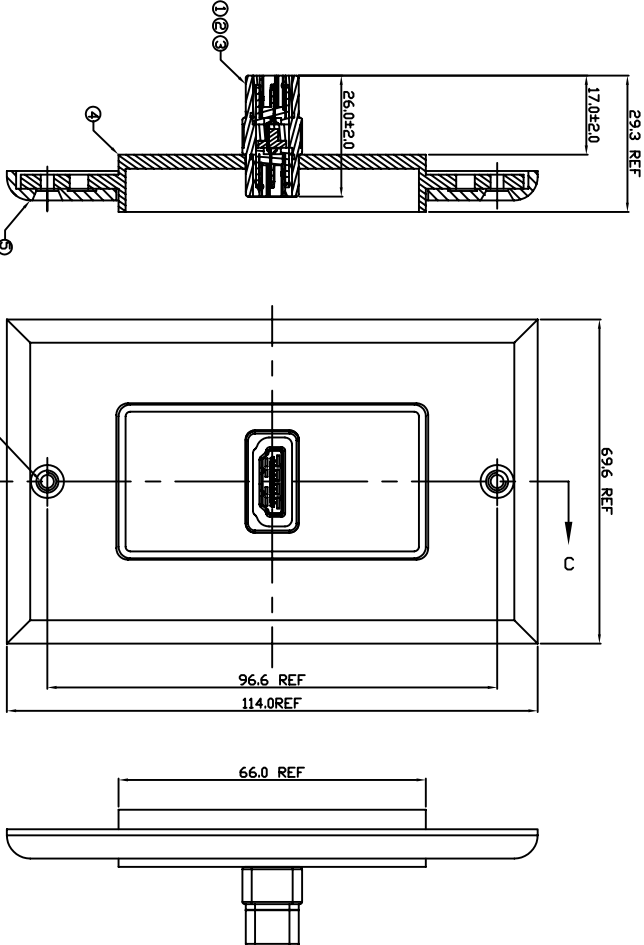
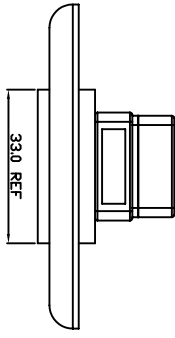


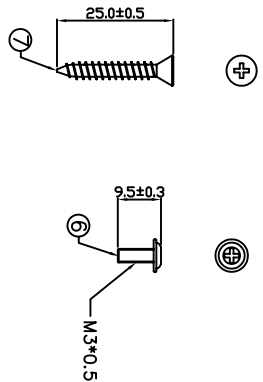
CUSTOMER NAME	CUST P/N	FREEPORT P/N
		1901120-***-*

REV.	ZONE	LTR	DESCRIPTION	DATE	REVISER	APPD



SECTION: C-C

2-M3*0.5



NO.	PART NAME	SPEC. DESCRIPTION	REMAKE
1	HDMI CONN	HDMI CONN. 19P A TYPE FEMALE SOLDER TYPE	
2	PE	PE LOW DENSITY	
3	PVC	PVC: 45Pd, UL94V-0	
4	PANEL	PANEL 1	
5	PANEL	PANEL 2	
6	SCREW 1	SCREW M3*0.5 Ø7.0* $L/9.3$	
7	SCREW 2	FLAT HEAD SCREW FTS-1 3.5*25	

MATERIAL	TOLERANCE UNSPECIFIED
	± .10
	± .25
	± .38
	± .50

FINISH	ANGLE
	±

DESIGNER	NAME	HDMI WALLPLATE ASSEMBLY
CHECKED	SCALE	(180°)
APPROVED	DRAWING NO.	1901120-1

SHEET	1 / 2
REV.	1.0

1 2 3 4 5 6 7

A B C D E F

1	2	3
CUSTOMER NAME	CUST P/N	FREEPORT P/N
		1901120-***-*

5	6	7	8
REV. ZONE	LTR	DESCRIPTION	DATE
			REVISER
			APPD

PIN ASSIGNMENT:

HDMI 19F HDMI 19F

- 3 (TMDS Data 2-)
- 1 (TMDS Data 2+)
- 2 (TMDS Data 2 Shield)
- 6 (TMDS Data 1-)
- 4 (TMDS Data 1+)
- 5 (TMDS Data 1 Shield)
- 9 (TMDS Data 0-)
- 7 (TMDS Data 0+)
- 8 (TMDS Data 0 Shield)
- 12 (TMDS Clock -)
- 10 (TMDS Clock +)
- 11 (TMDS Clock Shield)
- 18 (+5V Power)
- 17 (Ground)
- 15 (DDC Clock)
- 16 (DDC Data)
- 19 (Hot Plug Detect)
- 13 (CEC)
- 14 (NC)
- SHELL SHELL

ELECTRICAL CHARACTER:

- 1. CUTTENT RATING: DC 1A
- 2. WITHSTANDING VOLTAGE:DC 300VDC,10ms
- 3. INSULATION RESISTANCE: 10Mohm
- 4. CONDUCTIVE RESISTANCE:2 Ohm

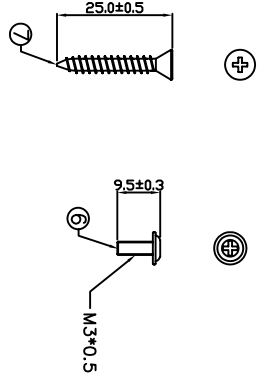
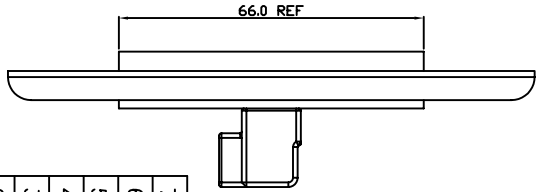
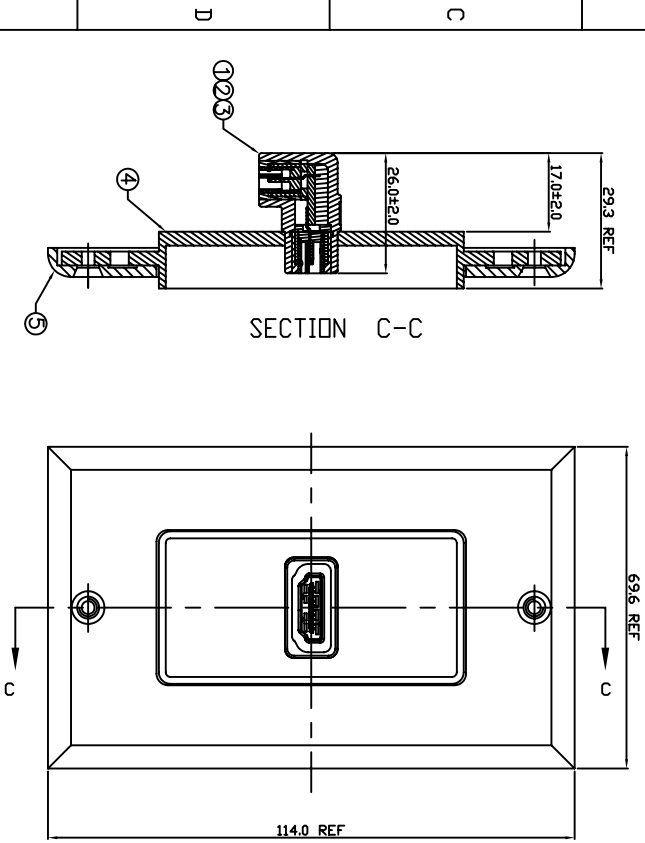
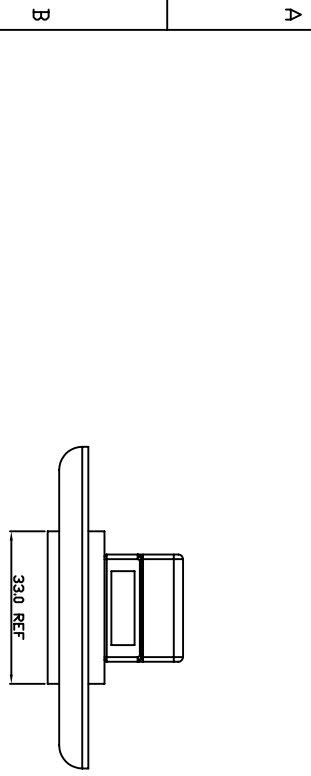
ORDERING INFORMATION:

- 19 01120 - * * * * *
- (1) (2) (3) (4) (5) (6)
- (1) SERIES NUMBER:
- 19 : Adapter Series
- (2) SEQUENCE NO.
- 01120(EX. 01001-01999):HDMI(FEMALE) TO HDMI(FEMALE) STRAIGHT ADAPTER
- (3) OUTER MOLDING COLOR CODES:
- 3 : BLACK 4 : WHITE
- (4) PLATING OF SHELL :
- 1 : SHELL PLATED GOLD
- 2 : SHELL PLATED NI
- (5) SUFFIX NO. 1:
- A : WITH "*****" LOGO
- (6) SUFFIX NO. 2:
- A : WITH TWO PANELS

1	2	3	4	5	6	7	8
MATERIAL		TOLERANCE UNSPECIFIED		FINISH		DRAWING NO.	
X		.000 ±0.3 .00 ±0.5 0 ±10 .0 ±2		X		1901120-1	
ANGLE		±		DRAWN		SCALE	
NONE		NONE		NONE		UNIT	
NONE		NONE		NONE		NONE	
DESIGNER		CHECKED		APPROVED		NAME	
HDMI WALLPLATE ASSEMBLY		(180)		1901120-1		HDMI WALLPLATE ASSEMBLY	
SHEET		REV.		DRAWING NO.		SCALE	
2/2		1.0		1901120-1		NONE	

1	2	3
CUSTOMER NAME	CUST P/N	FREEPORT P/N
		1901121-***-*

4	5	6	7	8
REV. ZONE	LTR	DESCRIPTION	DATE	REVISER
				APPD



7	SCREW 2	FLAT HEAD SCREW FTS-1 3.5*2.5			
6	SCREW 1	SCREW M3*0.5 Ø7.0* ¹ L/9.5			
5	PANEL	PANEL 2			
4	PANEL	PANEL 1			
3	PVC	PVC: 45P ₀ ,UL94V-0			
2	PE	PE LOW DENSITY			
1	HDMI CONN	HDMI CONN. 19P A TYPE FEMALE SOLDER TYPE			
NO. PART NAME		SPEC DESCRIPTION	REMARK		
MATERIAL		TOLERANCE UNSPECIFIED			
		.0 0 0			
		±.0 3			
		±.0 5			
		±.10			
		±.2			
FINISH		ANGLE			
		DRAWN			
		DESIGNER			
		CHECKED			
		APPROVED			
NAME		HDMI WALLPLATE ASSEMBLY			
SCALE		NONE			
UNIT		mm			
SHEET		1 / 2			
REV.		1.0			

1 2 3 4 5 6 7

A B C D E F

1	2	3
CUSTOMER NAME	CUST P/N	FREEPORT P/N
		1901121-***

5	6	7	8
REV.	ZONE	LTR	DESCRIPTION
		DATE	REVISER
			APPD

ORDERING INFORMATION:

19 01121 - * * * - * *
 (1) (2) (3) (4) (5) (6)

(1) SERIES NUMBER:
 19 : Adapter Series
 (2) SEQUENCE NO.
 01121(EX, 01001-01999);HDMI(FEMALE) TD
 HDMI(FEMALE) RIGHT ANGLE ADAPTER

(3) OUTER MOLDING COLOR CODES:
 3 : BLACK 4 : WHITE

(4) PLATING DF SHELL :
 1 : SHELL PLATED GOLD
 2 : SHELL PLATED NI

(5) SUFFIX ND, 1:
 A : WITH "*****" LOGO
 (6) SUFFIX ND, 2:
 A : WITH TWO PANELS

ELECTRICAL CHARACTER:

- CURRENT RATING: DC 1A
- WITHSTANDING VOLTAGE:DC 300VDC,10ms
- INSULATION RESISTANCE: 10Mohm
- CONDUCTIVE RESISTANCE:2 Ohm

PIN ASSIGNMENT:

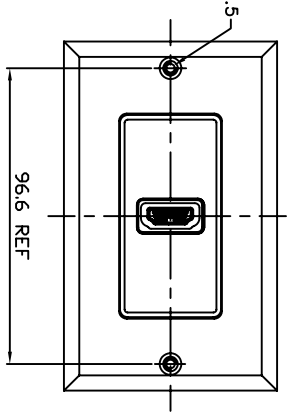
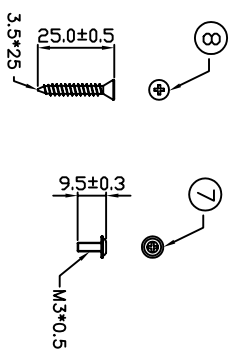
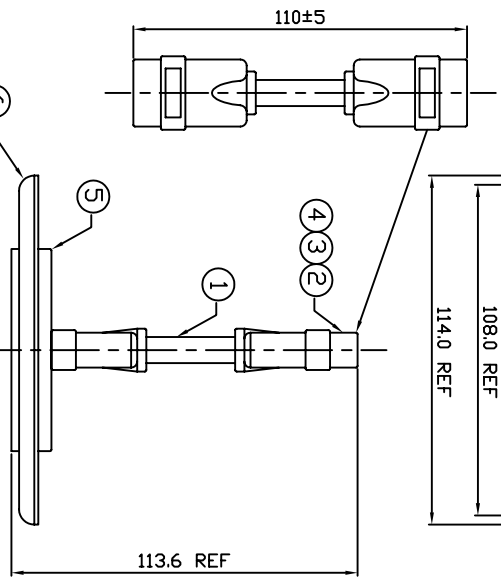
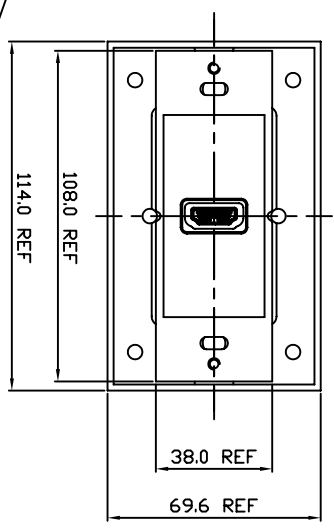
HDMI 19F HDMI 19F

- | | | | |
|-------|----------------------|-------|----------------------|
| 3 | (TMDS Data 2-) | 3 | (TMDS Data 2-) |
| 1 | (TMDS Data 2+) | 1 | (TMDS Data 2+) |
| 2 | (TMDS Data 2 Shield) | 2 | (TMDS Data 2 Shield) |
| 6 | (TMDS Data 1-) | 6 | (TMDS Data 1-) |
| 4 | (TMDS Data 1+) | 4 | (TMDS Data 1+) |
| 5 | (TMDS Data 1 Shield) | 5 | (TMDS Data 1 Shield) |
| 9 | (TMDS Data 0-) | 9 | (TMDS Data 0-) |
| 7 | (TMDS Data 0+) | 7 | (TMDS Data 0+) |
| 8 | (TMDS Data 0 Shield) | 8 | (TMDS Data 0 Shield) |
| 12 | (TMDS Clock -) | 12 | (TMDS Clock -) |
| 10 | (TMDS Clock +) | 10 | (TMDS Clock +) |
| 11 | (TMDS Clock Shield) | 11 | (TMDS Clock Shield) |
| 18 | (+5V Power) | 18 | (+5V Power) |
| 17 | (Ground) | 17 | (Ground) |
| 15 | (DDC Clock) | 15 | (DDC Clock) |
| 16 | (DDC Data) | 16 | (DDC Data) |
| 19 | (Hot Plug Detect) | 19 | (Hot Plug Detect) |
| 13 | (CEC) | 13 | (CEC) |
| 14 | (NC) | 14 | (NC) |
| SHELL | SHELL | SHELL | SHELL |

MATERIAL	TOLERANCE UNSPECIFIED			SCALE	NONE	UNIT	mm
	0.00	±0.3					
	0.0	±0.5					
	.0	±.10					
		±.2					
FINISH	ANGLE	±					
	DRAWN		NAME				
	DESIGNER	HDMI WALLPLATE ASSEMBLY					SHEET
	CHECKED	(90°)					2 / 2
	APPROVED	DRAWING NO.	1901121-2				REV.
							1.0

ORDERING INFORMATION:

- 19 01124 - 4 1 A
 (1) (2) (3) (4) (5)
 (1) SERIES NUMBER:
 19 : Adapter Series
 (2) SEQUENCE NO.
 01124(EX. 01001-01999):HDMI(FEMALE) TO
 HDMI(FEMALE) WITH SHORT CABLE
 (3) OUTER MOLDING COLOR CODES:
 3 : BLACK 4 : WHITE
 (4) PLATING OF SHELL :
 1 : GOLD FLASH
 2 : NI-PLATED
 (5) SUFFIX NO. :
 A : WITH TWO PANELS



- ELECTRICAL CHARACTER:**
- CUTTENT RATING: DC 1A
 - WITHSTANDING VOLTAGE:DC 300VDC,10ms
 - INSULATION RESISTANCE: 10Mohm
 - CONDUCTIVE RESISTANCE: 2 Ohm

PIN ASSIGNMENT:

HDMI 19F	HDMI 19F
3 (TMDS Data 2-)	3 (TMDS Data 2-)
2 (TMDS Data 2+)	1 (TMDS Data 2+)
1 (TMDS Data 2 Shield)	2 (TMDS Data 2 Shield)
6 (TMDS Data 1-)	4 (TMDS Data 1-)
4 (TMDS Data 1+)	5 (TMDS Data 1+)
5 (TMDS Data 1 Shield)	9 (TMDS Data 0-)
9 (TMDS Data 0-)	7 (TMDS Data 0+)
7 (TMDS Data 0+)	8 (TMDS Data 0 Shield)
8 (TMDS Data 0 Shield)	12 (TMDS Clock -)
12 (TMDS Clock -)	10 (TMDS Clock +)
10 (TMDS Clock +)	11 (TMDS Clock Shield)
11 (TMDS Clock Shield)	18 (+5V Power)
18 (+5V Power)	17 (Ground)
17 (Ground)	15 (SCL)
15 (SCL)	16 (SDA)
16 (SDA)	19 (Hot Plug Detect)
19 (Hot Plug Detect)	13 (CEC)
13 (CEC)	14 (RESERVED)
14 (RESERVED)	SHELL
SHELL	SHELL

8	SCREW 2	FLAT HEAD SCREW FTS-1 3.5*25						
7	SCREW 1	SCREW M3*0.5 Ø7.0*L/9.5						
6	PANEL	PANEL 2: 114*69.6MM PC WHITE						
5	PANEL	PANEL 1: 108*38MM PC WHITE						
4	PVC	PVC: 45Pa ;UL94V-0						
3	PE	PE LOW DENSITY						
2	HDMI CONN	HDMI CONN. 19P A TYPE FEMALE SOLDER TYPE						
1	CABLE	UL20276 28AWG*1PR+DRAIN WIRE+FREE EDGE AL/MYLAR*4+28AWG*1P+28AWG*5C+AL/MYLAR+ BRAID OD: 7.3 BLACK IMPEDANCE:100 Ohm						
NO. PART NAME		SPEC. DESCRIPTION		REMAKE				
MATERIAL		TOLERANCE UNSPECIFIED						
		.00 0 ±						
		.00 0 ±						
		.0 ±						
FINISH		ANGLE						
		±						
		±						
		±						
DRAWN		YHT						
DESIGNER		NAME						
CHECKED		HDMI WALL PLATE ASSEMBLY						
APPROVED		DRAWING NO.		1901124-1				
		SCALE		NONE				
		UNIT		mm				
		SHEET		1 / 1				
		REV.		1.0				



HDMI WALL PLATE ASSEMBLY
STRAIGHT TYPE

DRAWING NO. 1901124-1

SHEET 1 / 1

REV. 1.0