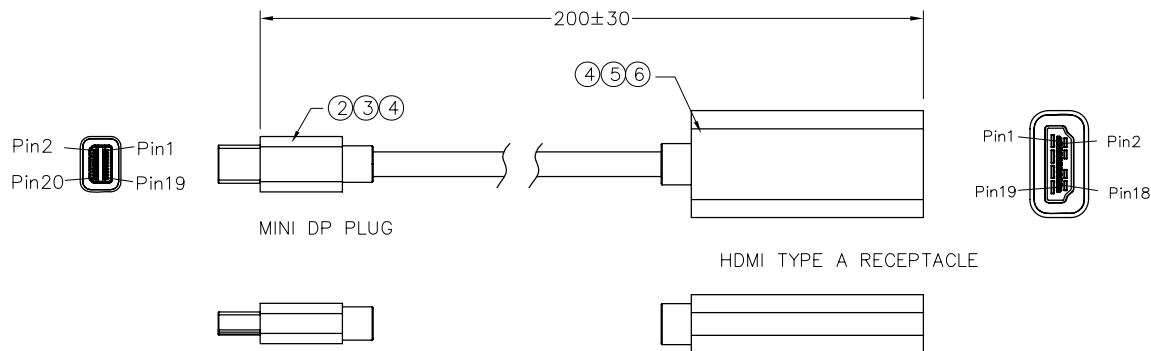


**RoHS Compliant**

REV	ZONE	LTR	DESCRIPTION	DATE	REVISER	APPD
-----	------	-----	-------------	------	---------	------



**ORDERING INFORMATION:**

18-9420B007 - \* \* \* \* - \*\*\*\*

(1) (2) (3) (4) (5) (6) (7)

(1) SERIES NUMBER:

18 : CABLE SERIES

(2) SEQUENCE NO.

9420B007:MINI DP PLUG TO HDMI TYPE A RECEPTACLE CABLE.

(3) OUTER COVER & CABLE COLOR CODES:

4: WHITE

(4) PLATING OF CONTACT & SHELL :

4 : CONTACT: 15u";SHELL: PLATED NIKEL

(5) LOGO CODE :

N: WITHOUT LOGO

(6) CABLE SPEC(AWG) :

3: 32AWG;

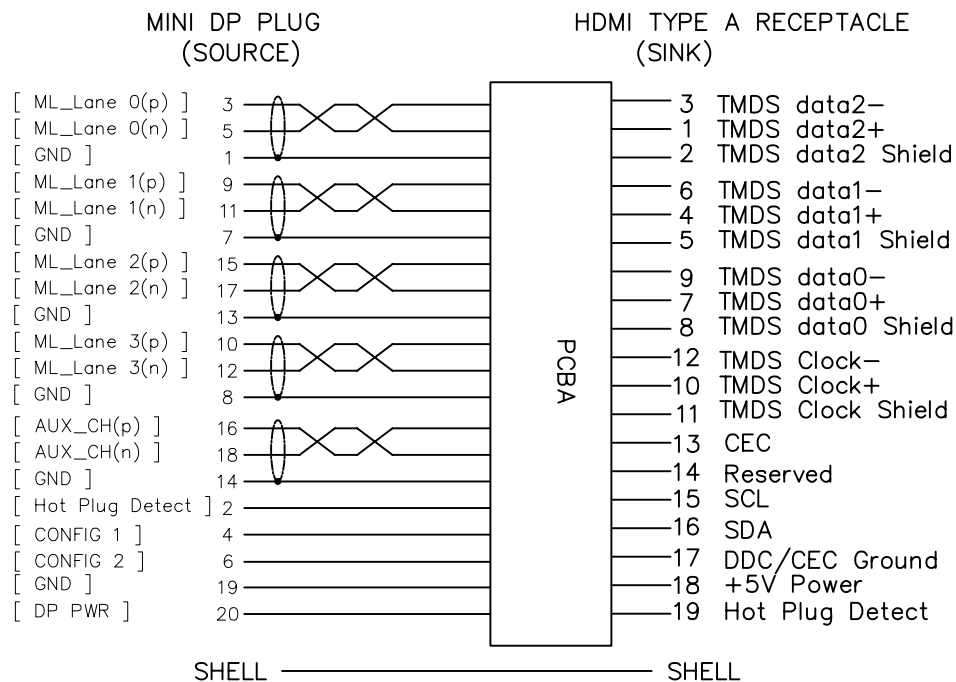
(7) LENGTH + UNIT CODE:

cm: CENTIMETER

EX → 20cm: 20CENTIMETER.

**Preliminary**

PIN ASSIGNMENT:



Electrical character:

a. Function Test: by PC and monitor 1080P 60Hz test pass.

6	OUTER COVER	HDMI TYPE A RECEPTACLE CONNECTOR ABS OUTER COVER	
5	CONNECTOR 2	HDMI TYPE A RECEPTACLE CONNECTOR W/PCBA	
4	SR	PVC	
3	OUTER COVER	MINI DP CONNECTOR ABS OUTER COVER	
2	CONNECTOR 1	MINI DP CONNECTOR PLUG	
1	CABLE	UL20276 DISPLAYPORT CABLE IMPEDANCE:100 Ohm	
NO.	PART NAME	SPEC DESCRIPTION	REMAKE
INNERMOLD		TOLERANCE UNSPECIFIED	
		±	
		± 0.1	
		± 0.38	
		±	
		ANGLE	
		±	
OVERMOLD		DRAWN: MIKEY	
		DESIGNER:	
		CHECKED:	
		APPROVED: Dlmie	
		NAME	
		Mini DP to HDMI type A Receptacle cable	
		SHEET	1/1
		DRAWING NO.	18-9420B007
		REV	0.1

**FREEPORT**

SCALE NON UNIT mm