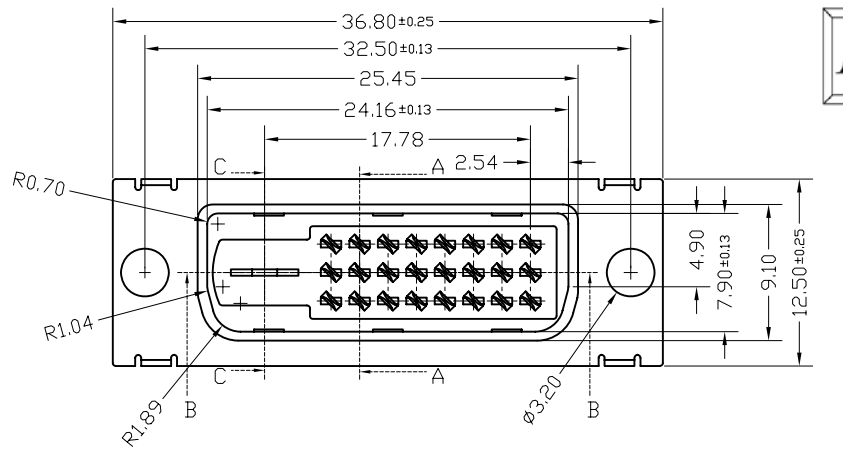
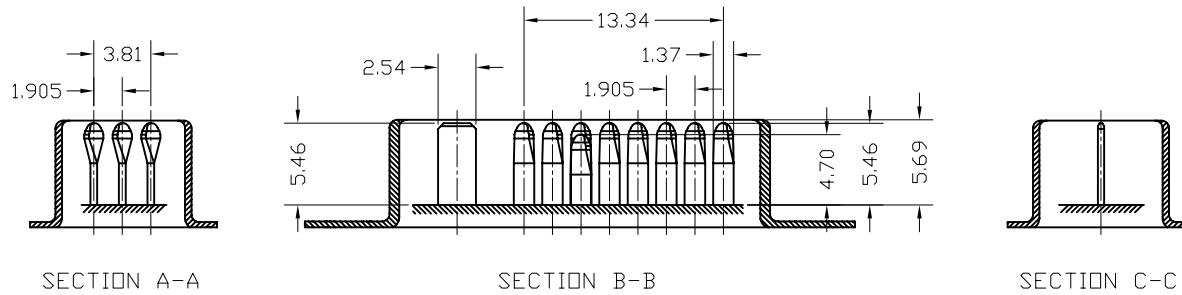


| REV. | ZONE | LTR | DESCRIPTION | DATE | REVISER | APPD |
|------|------|-----|-------------|------|---------|------|
|------|------|-----|-------------|------|---------|------|

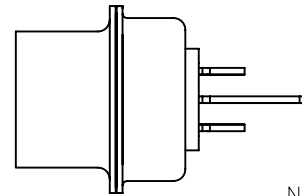
ORDERING INFORMATION

3J S 25 P - 4 7 4 0
 (1) (2) (3) (4) (5) (6) (7) (8)

- SERIES CODE:
3J: DVI CONNECTOR
- STRUCTURE CODE:
S: SOLDER TYPE
- NO. OF CONTACT
25: 24+1 POSITIONS.
- CONTACT TYPE:
P: PLUG
- COLOR CODE:
3: BLACK 4: WHITE
- CONTACT FINISH:
0: GOLD FLASH PLATED ON CONTACT AREA, TIN PLATED ON SOLDER TAIL.
2: 15 u" GOLD PLATED ON CONTACT AREA, TIN PLATED ON SOLDER TAIL.
3: 30 u" GOLD PLATED ON CONTACT AREA, TIN PLATED ON SOLDER TAIL.
7: 3u" GOLD PLATED ON CONTACT AREA, TIN PLATED ON SOLDER TAIL.
C: 5u" GOLD PLATED ON CONTACT AREA, TIN PLATED ON SOLDER TAIL.
- SHELL PLATING
N: NICKEL PLATED ON FRONT, TIN PLATED ON REAR.
4: GOLD FLASH PLATED OVER NICKEL ON FRONT, TIN PLATED ON REAR.
- ACCESSORY CODE
0: WITHOUT ACCESSORY

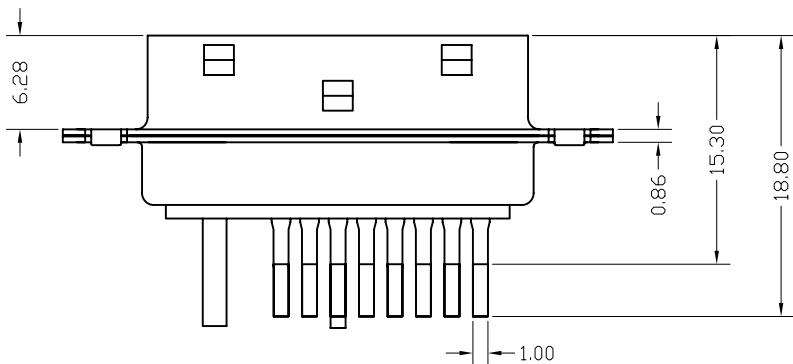


RoHS Compliant



NOTES:

- MATERIAL:
TERMINAL: BRASS, GOLD PLATED.
HOUSING: GLASS FILLED THERMOPLASTIC, BLACK & WHITE UL94V-0.
SHIELD: SPCC.
- SPECIFICATIONS
.CURRENT RATING : 1.5 A
.INSULATION RESISTANCE : 1000 MΩ MIN. AT 500V DC
.DIELECTRIC WITHSTANDING VOLTAGE : AC 500V MIN. (FOR 1 MINUTE)
.CONTACT RESISTANCE : 20mΩ MAX.
.OPERATING TEMPERATURE : -25°C - +85°C



| | | | | | |
|----------|--|---|----------|-------------|------|
| | | | PART NO. | | |
| MATERIAL | TOLERANCE UNSPECIFIED .000 ±0.08 .00 ±0.20 .0 ± . ± ANGLE ± | | | SCALE | UNIT |
| SEE NOTE | | | | 1:1 | mm |
| FINISH | DRAWN Wujian4/26-06 | NAME | | SHEET | |
| SEE NOTE | CHECKED Peterhu | 3JS SERIES | | 1/1 | |
| | APPROVED John | DVI (24+1) PIN SOLDER TYPE CONNECTOR | | DRAWING NO. | |
| | | R-S13JS-6 | | REV. 0.1 | |