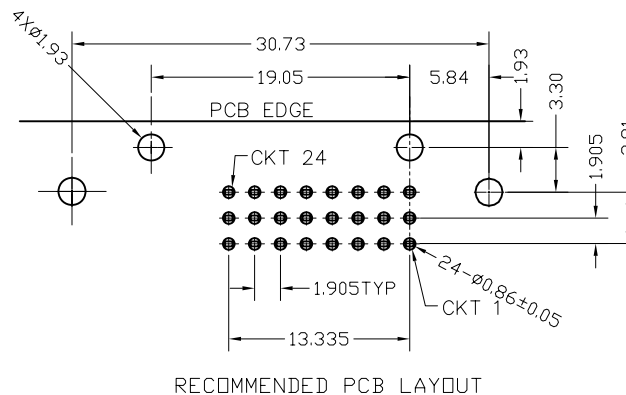
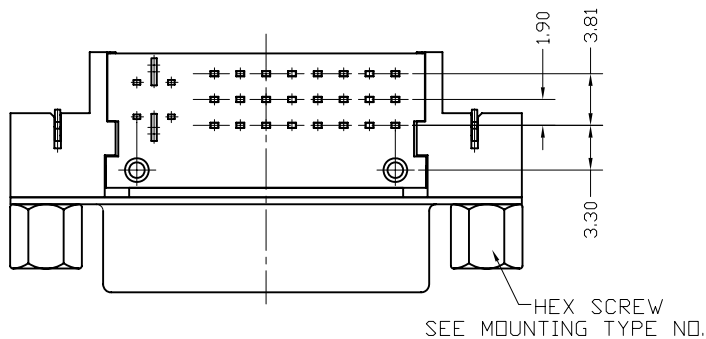


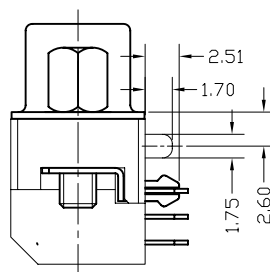
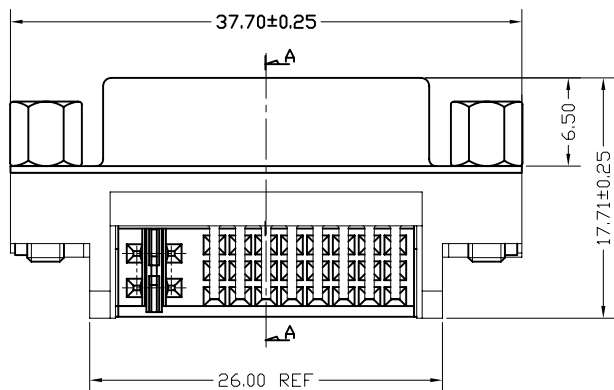
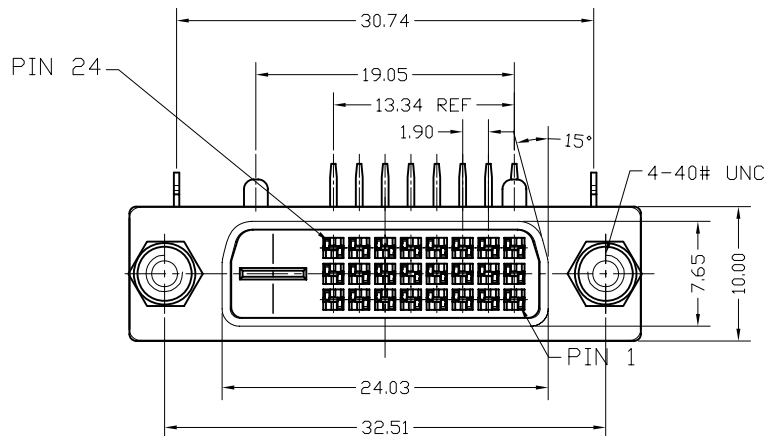
REV.	ZONE	LTR	DESCRIPTION	DATE	REVISED	APPD
------	------	-----	-------------	------	---------	------

ORDERING INFORMATION
3 J L 25 S - 4 7 4 0
 (1) (2) (3) (4) (5) (6) (7) (8)

- SERIES CODE: 3J: DVI CONNECTOR
- STRUCTURE CODE: L: R/A P.C.B MOUNTING TYPE
- NO. OF CONTACT: 25: 24+1 POSITIONS.
- CONTACT TYPE: S: SOCKET
- COLOR CODE: 3: BLACK 4: WHITE
- CONTACT FINISH:
 - GOLD FLASH PLATED ON CONTACT AREA, TIN PLATED ON SOLDER TAIL.
 - 15 u" GOLD PLATED ON CONTACT AREA, TIN PLATED ON SOLDER TAIL.
 - 30 u" GOLD PLATED ON CONTACT AREA, TIN PLATED ON SOLDER TAIL.
 - 3 u" GOLD PLATED ON CONTACT AREA, TIN PLATED ON SOLDER TAIL.
 - 5 u" GOLD PLATED ON CONTACT AREA, TIN PLATED ON SOLDER TAIL.
- SHELL PLATING: N: NICKEL PLATED.
- ACCESSORY CODE:
 - WITHOUT ACCESSORY
 - WITH SEPARATED 4-40UNC HEX SCREW: 4.75*11.8mm
 - WITH 4-40UNC HEX SCREW: 4.75*11.8mm



RoHS Compliant



NOTES:

- MATERIAL:
 - TERMINAL: BRASS, GOLD PLATED
 - HOUSING: GLASS FILLED THERMOPLASTIC, BLACK & WHITE UL94V-0
 - SHIELD: SPCC
- SPECIFICATIONS
 - CURRENT RATING : 1.5 A
 - INSULATION RESISTANCE : 1000 MΩ MIN. AT 500V DC
 - DIELECTRIC WITHSTANDING VOLTAGE : AC 500V MIN. (FOR 1 MINUTE)
 - CONTACT RESISTANCE : 20mΩ MAX.
 - OPERATING TEMPERATURE : -25°C - +85°C

		PART NO.		
MATERIAL	TOLERANCE UNSPECIFIED			
SEE NOTE	.000 ±0.08			
	.00 ±0.20			
	.0 ±			
	ANGLE ±			
FINISH	DRAWN Wujian _{4/26-06}	NAME	3JL SERIES	SHEET
SEE NOTE	DESIGNER	DVI (24+1) FEMALE		
	CHECKED Peterhu	R/A P.C.B TYPE CONNECTOR		
	APPROVED John	DRAWING NO.	R-S13JL-2	REV.