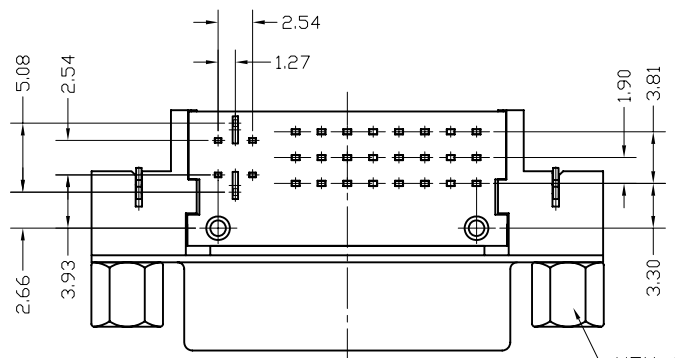
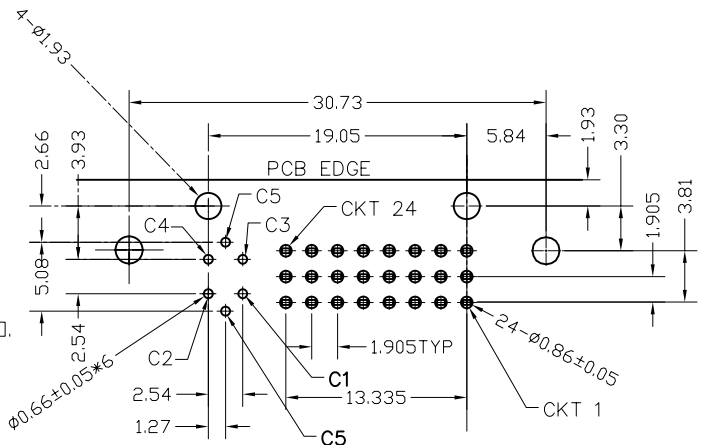


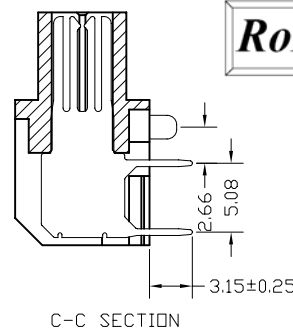
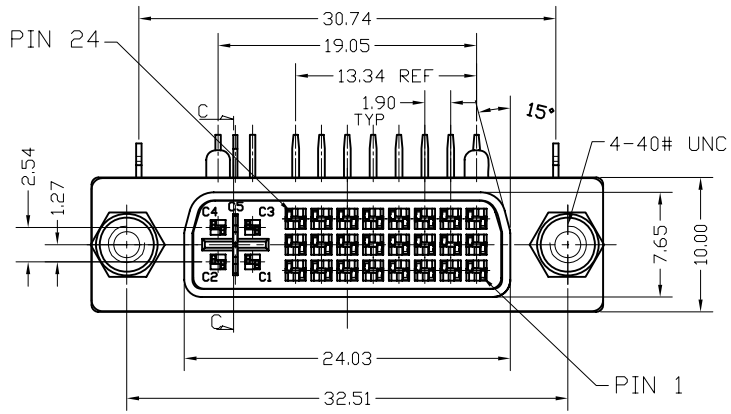
REV.	ZONE	LTR	DESCRIPTION	DATE	REVISER	APPD
------	------	-----	-------------	------	---------	------



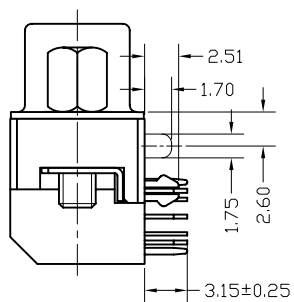
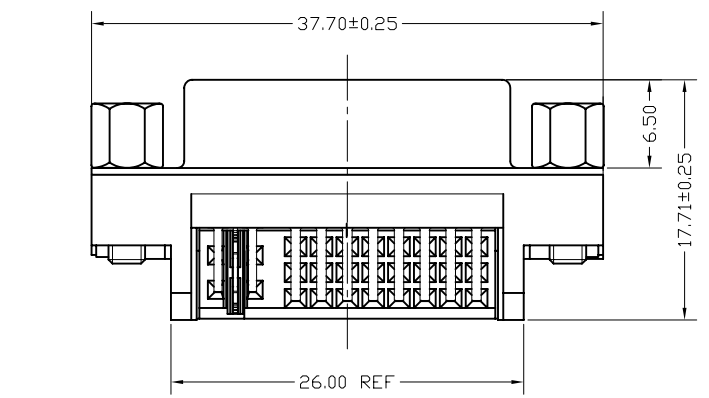
HEX SCREW
SEE MOUNTING TYPE NO.



RECOMMENDED PCB LAYOUT



RoHS Compliant



ORDERING INFORMATION
3J L 29 S - 4 7 4 0
(1) (2) (3) (4) (5) (6) (7) (8)

- SERIES CODE: 3J: DVI CONNECTOR
- STRUCTURE CODE: L: R/A P.C.B MOUNTING TYPE
- NO. OF CONTACT: 29: 24+5 POSITIONS.
- CONTACT TYPE: S: SOCKET
- COLOR CODE: 3: BLACK 4: WHITE
- CONTACT FINISH: 0: GOLD FLASH PLATED ON CONTACT AREA, TIN PLATED ON SOLDER TAIL. 2: 15 u" GOLD PLATED ON CONTACT AREA, TIN PLATED ON SOLDER TAIL. 3: 30u" GOLD PLATED ON CONTACT AREA, TIN PLATED ON SOLDER TAIL. 7: 3u" GOLD PLATED ON CONTACT AREA, TIN PLATED ON SOLDER TAIL. C: 5u" GOLD PLATED ON CONTACT AREA, TIN PLATED ON SOLDER TAIL.
- SHELL PLATING: N: NICKEL PLATED. 4: GOLD FLASH PLATED OVER NICKEL.
- ACCESSORY CODE: 0: WITHOUT ACCESSORY 4: WITH SEPARATED 4-40UNC HEX SCREW: 4.75*11.8mm 7: WITH 4-40UNC HEX SCREW: 4.75*11.8mm

- NOTES:
- MATERIAL: TERMINAL: BRASS, GOLD PLATED HOUSING: GLASS FILLED THERMOPLASTIC, BLACK&WHITE UL94V-0 SHIELD: SPCC
 - SPECIFICATIONS: .CURRENT RATING : 1.5 A .INSULATION RESISTANCE : 1000 MΩ MIN. AT 500V DC .DIELECTRIC WITHSTANDING VOLTAGE : AC 500V MIN. (FOR 1 MINUTE) .CONTACT RESISTANCE : 20mΩ MAX. .OPERATING TEMPERATURE : -25°C - +85°C

MATERIAL		TOLERANCE UNSPECIFIED	PART NO.	
SEE NOTE	.0 0 0	± 0.08		
	.0 0	± 0.20		
SEE NOTE	.0	±	SCALE	UNIT
	.	±	1:1	mm
	ANGLE	±	NAME	
	DRAWN	Wujian4/26-06	3JL SERIES	
SEE NOTE	DESIGNER		DVI (24+5) FEMALE	
	CHECKED	Peterhu	R/A P.C.B TYPE CONNECTOR	
	APPROVED	John	DRAWING NO.	REV.
			R-S13JL-1	1