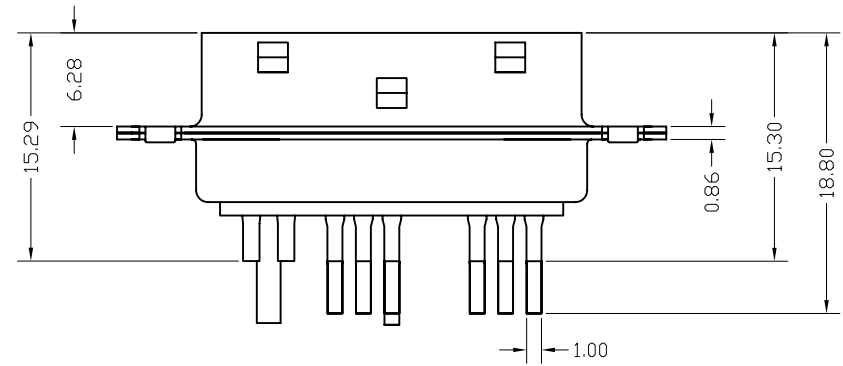
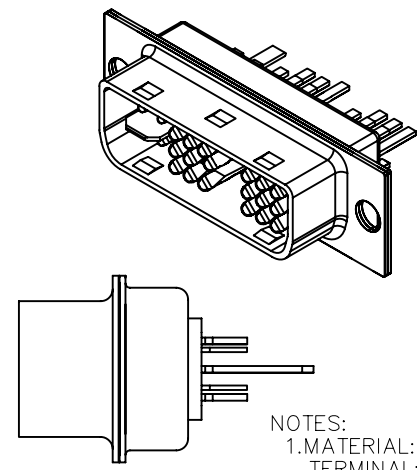
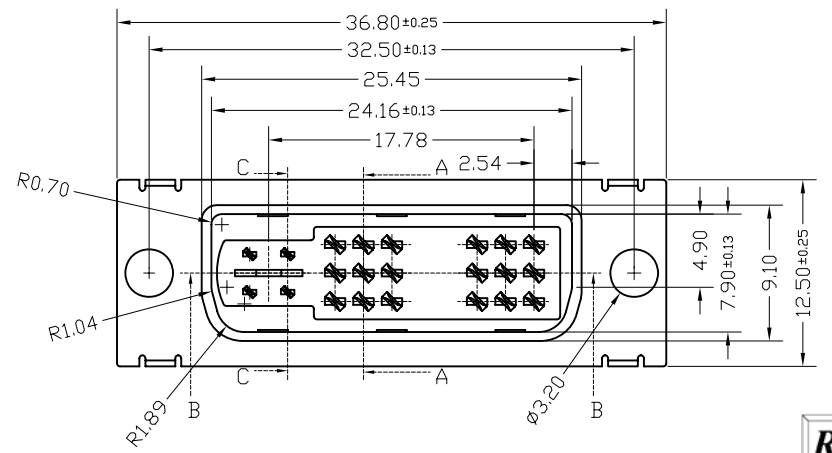


SECTION A-A

SECTION B-B

SECTION C-C



RoHS Compliant

REV.	ZONE	LTR	DESCRIPTION	DATE	REVISER	APPD
------	------	-----	-------------	------	---------	------

ORDERING INFORMATION
 3J S 23 P - 4 7 4 0
 (1) (2) (3) (4) (5) (6) (7) (8)

- 1.SERIES CODE:
3J: DVI CONNECTOR
- 2.STRUCTURE CODE:
S: SOLDER TYPE
- 3.NO. OF CONTACT
23: 18+5 POSITIONS.
- 4.CONTACT TYPE:
P: PLUG
- 5.COLOR CODE:
3: BLACK 4: WHITE
- 6.CONTACT FINISH:
0: GOLD FLASH PLATED ON CONTACT AREA, TIN PLATED ON SOLDER TAIL.
2: 15 u" GOLD PLATED ON CONTACT AREA, TIN PLATED ON SOLDER TAIL.
3: 30u" GOLD PLATED ON CONTACT AREA, TIN PLATED ON SOLDER TAIL.
7: 3u" GOLD PLATED ON CONTACT AREA, TIN PLATED ON SOLDER TAIL.
C: 5u" GOLD PLATED ON CONTACT AREA, TIN PLATED ON SOLDER TAIL.
- 7.SHELL PLATING
N: NICKEL PLATED ON FRONT, TIN PLATED ON REAR.
4: GOLD FLASH PLATED OVER NICKEL ON FRONT, TIN PLATED ON REAR.
- 8.ACCESSORY CODE
0: WITHOUT ACCESSORY

NOTES:
 1.MATERIAL:
 TERMINAL: BRASS, GOLD PLATED
 HOUSING: GLASS FILLED THERMOPLASTIC, BLACK&WHITE UL94V-0
 SHIELD: SPCC

- 2.SPECIFICATIONS
 .CURRENT RATING : 1.5 A
 .INSULATION RESISTANCE : 1000 MΩ MIN. AT 500V DC
 .DIELECTRIC WITHSTANDING VOLTAGE : AC 500V MIN. (FOR 1 MINUTE)
 .CONTACT RESISTANCE : 20mΩ MAX.
 .OPERATING TEMPERATURE : -25°C - +85°C

		PART NO.	
MATERIAL	TOLERANCE UNSPECIFIED		
SEE NOTE	.0 0 0 ± 0.08 .0 0 ± 0.20 .0 ± ± ANGLE ±		
FINISH	DRAWN Wujian4/26-06	SCALE 1:1	UNIT mm
SEE NOTE	DESIGNER	NAME 3JS SERIES	
	CHECKED Peterhu	DVI (18+5)PIN	
	APPROVED John	SOLDER TYPE CONNECTOR	
		DRAWING NO. R-S13JS-7	SHEET 1/1