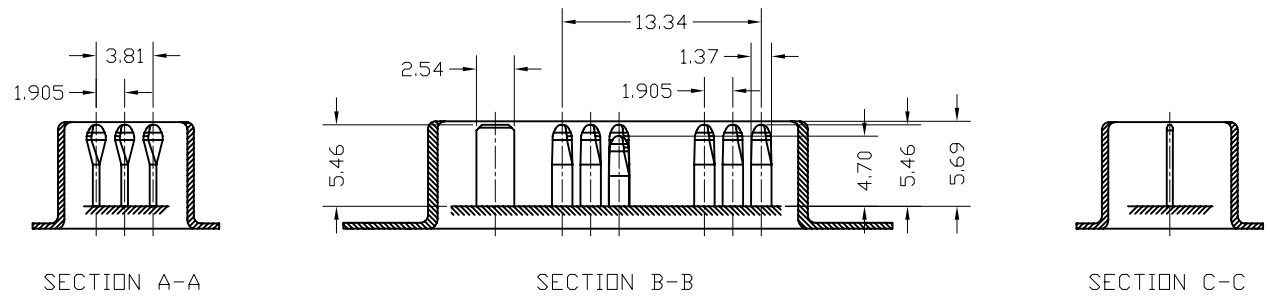


REV.	ZONE	LTR	DESCRIPTION	DATE	REVISER	APPD
------	------	-----	-------------	------	---------	------

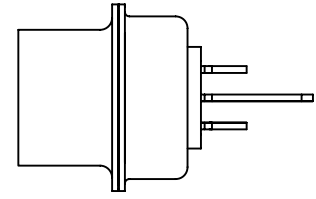
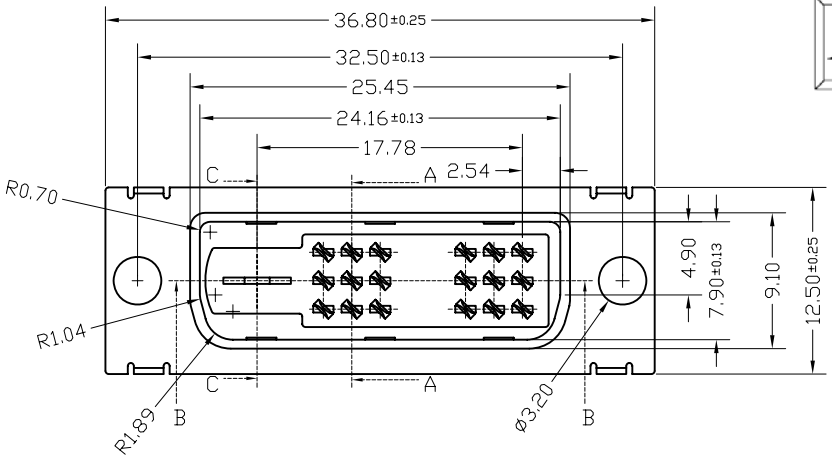
ORDERING INFORMATION

3J S 19 P - 4 7 4 0  
 (1) (2) (3) (4) (5) (6) (7) (8)

- SERIES CODE:  
3J: DVI CONNECTOR
- STRUCTURE CODE:  
S: SOLDER TYPE
- NO. OF CONTACT  
19: 18+1 POSITIONS.
- CONTACT TYPE:  
P: PLUG
- COLOR CODE:  
3: BLACK 4: WHITE
- CONTACT FINISH:  
0: GOLD FLASH PLATED ON CONTACT AREA,  
TIN PLATED ON SOLDER TAIL.  
2: 15 μ" GOLD PLATED ON CONTACT AREA,  
TIN PLATED ON SOLDER TAIL.  
3: 30 μ" GOLD PLATED ON CONTACT AREA,  
TIN PLATED ON SOLDER TAIL.  
7: 3 μ" GOLD PLATED ON CONTACT AREA,  
TIN PLATED ON SOLDER TAIL.  
C: 5 μ" GOLD PLATED ON CONTACT AREA,  
TIN PLATED ON SOLDER TAIL.
- SHELL PLATING  
N: NICKEL PLATED ON FRONT, TIN PLATED ON REAR.  
4: GOLD FLASH PLATED OVER NICKEL ON FRONT,  
TIN PLATED ON REAR.
- ACCESSORY CODE  
0: WITHOUT ACCESSORY

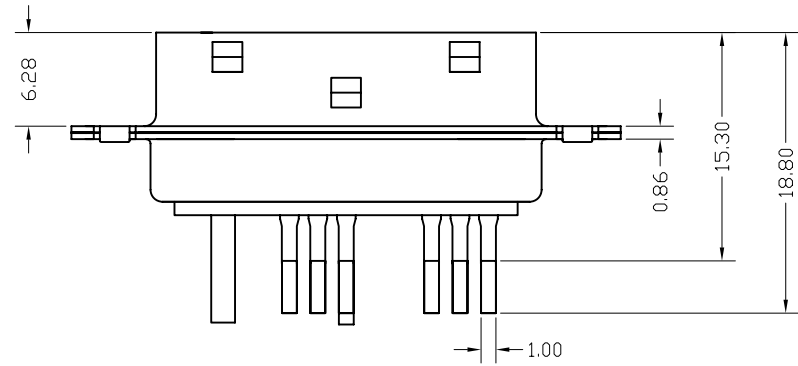


**RoHS Compliant**



- NOTES:
- MATERIAL:  
TERMINAL: BRASS, GOLD PLATED  
HOUSING: GLASS FILLED THERMOPLASTIC, BLACK & WHITE UL94V-0  
SHIELD: SPCC

2. SPECIFICATIONS
- CURRENT RATING : 1.5 A
  - INSULATION RESISTANCE : 1000 MΩ MIN. AT 500V DC
  - DIELECTRIC WITHSTANDING VOLTAGE : AC 500V MIN. (FOR 1 MINUTE)
  - CONTACT RESISTANCE : 20mΩ MAX.
  - OPERATING TEMPERATURE : -25°C - +85°C



			PART NO.	
MATERIAL	TOLERANCE UNSPECIFIED			
SEE NOTE	.0 0 0 ± 0.08 .0 0 ± 0.20 .0 ± ± ANGLE ±			
FINISH	DRAWN Wujian4/26-06	NAME	3JS SERIES	SHEET
SEE NOTE	DESIGNER	DVI (18+1) PIN SOLDER TYPE CONNECTOR		1/1
	CHECKED Peterhu	DRAWING NO.	R-S13JS-4	REV.
	APPROVED John			1