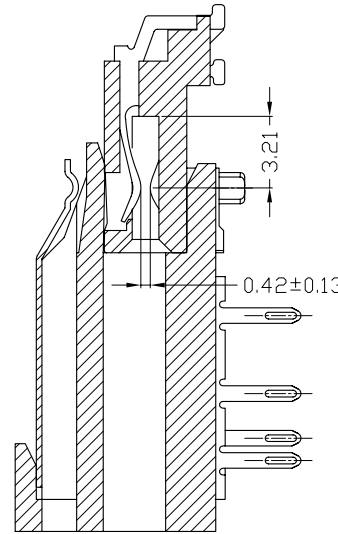
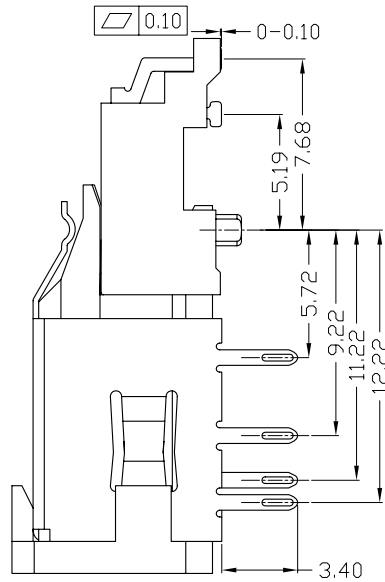
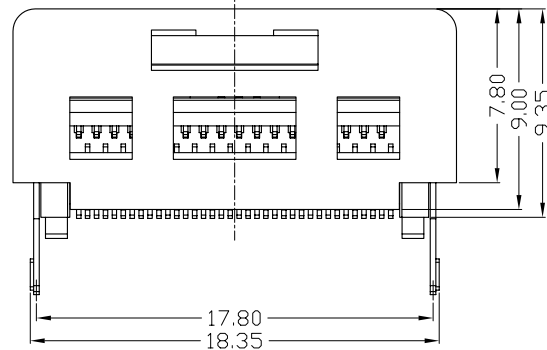
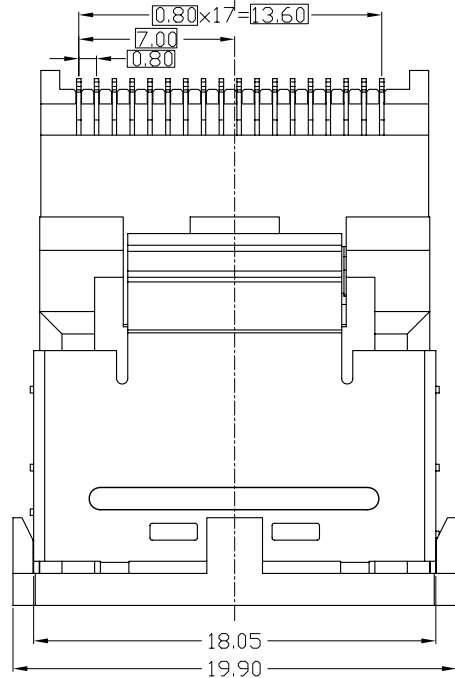
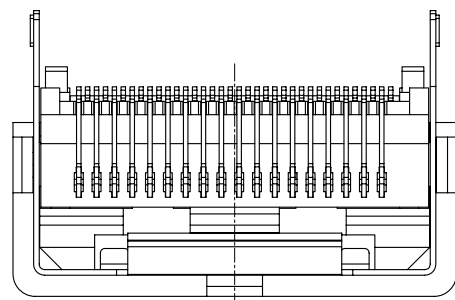


REV	ZONE	LTR	DESCRIPTION	DATE	REVISER	APPD

ORDERING INFORMATION

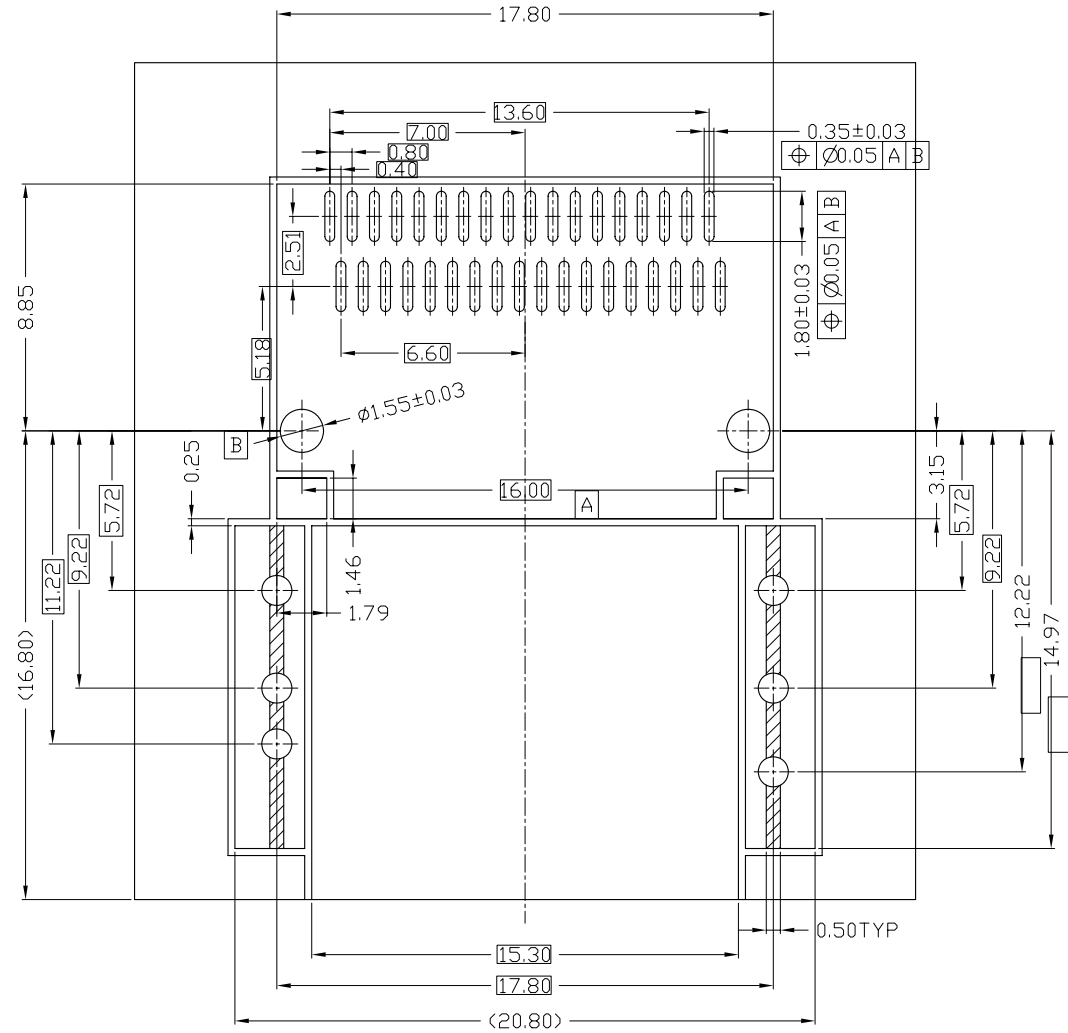
61 U 036 S - 3 * 2 N - A
 (1) (2) (3) (4) (5) (6) (7) (8) (9)

- SERIES NO.
61: MINI SAS CONNECTOR
- TAIL CONSTRUCTION TYPE
U: SMT TYPE
- NUMBER OF PIN
036: 36 POSITIONS
- CONTACT & CONNECTIONG TYPES:
P: PLUG
S: SOCKET
: COLOR CODES
3: BLACK
- CONTACT PLATING:
0: GOLD FLASH OVER NICKEL,SOLDER AREA PLATING TIN
2: 15U" GOLD OVER NICKEL,SOLDER AREA PLATING TIN
3: 30U" GOLD OVER NICKEL,SOLDER AREA PLATING TIN
4: GOLD FLASH OVER NICKEL,SOLDER AREA PLATING GOLD
5: 15U" GOLD OVER NICKEL,SOLDER AREA PLATING GOLD
6: 30U" GOLD OVER NICKEL,SOLDER AREA PLATING GOLD
- SHELL CONSTRUCTION
0: WITHOUT KEY
1: LEFT KEY
2: RIGHT KEY
3: DUAL KEY
- SHELL PLATING
N: NICKEL PLATED
9: SUFFIX NO.
A: WITH FREEPORT LOGO
B: WITHOUT FREEPORT LOGO

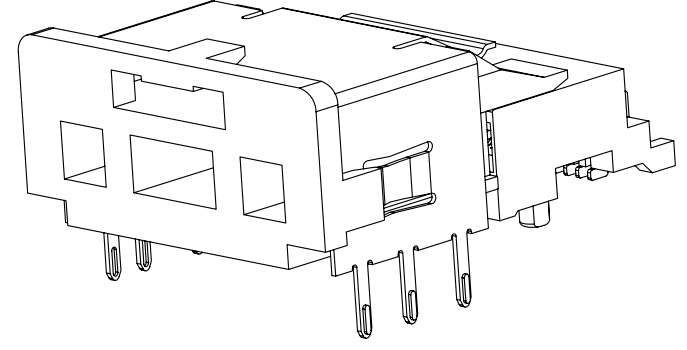


MATERIAL	TOLERANCE UNSPECIFIED ± ±0.20 ±0.25 ± ±1°			SCALE	UNIT
			1:1	mm	
FINISH	DRAWN	NAME			SHEET
	DESIGNER	MINI SAS 36PIN RECEPTACLE			1/2
	CHECKED	INTERNAL SMT TYPE			REV
APPROVED	DRAWING NO.	R-S161U-2		1	

REV	ZONE	LTR	DESCRIPTION	DATE	REVISER	APPD



36PIN PCB FOOT PRINT



SPECIFICATIONS

CURRENT: 0.5A/CONTACT
 VOLTAGE: 30VAC/CONTACT
 LOW LEVEL CONTACT RESISTANCE: 80 mohm Maximum
 MATING FORCE: MAXIMUM OF 55.5N
 UNMATING FORCE: MAXIMUM OF 49.0N
 OPERATION TEMPERATURE: -20°C TO +85°C

MATERIAL	TOLERANCE UNSPECIFIED ± ±0.20 ±0.25 ANGLE ± 1°	FREEPORT		SHEET 2/2
			SCALE 1:1	
FINISH	DRAWN <i>Jession</i> 09/05.06	NAME		REV 1
	DESIGNER <i>Jession</i> 09/05.06	MINI SAS 36PIN RECEPTACLE INTERNAL SMT TYPE		
	CHECKED	DRAWING NO.	R-S161U-2	
APPROVED			A4	RS161U21