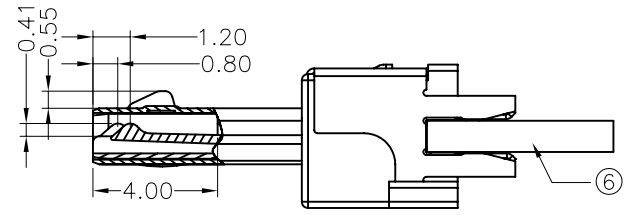
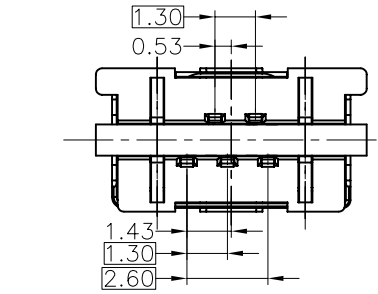
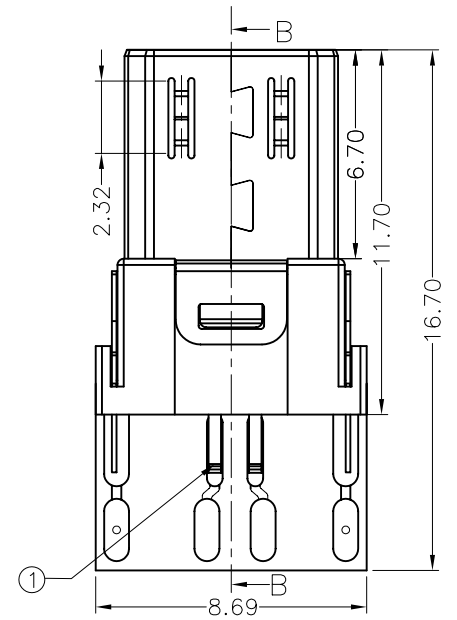
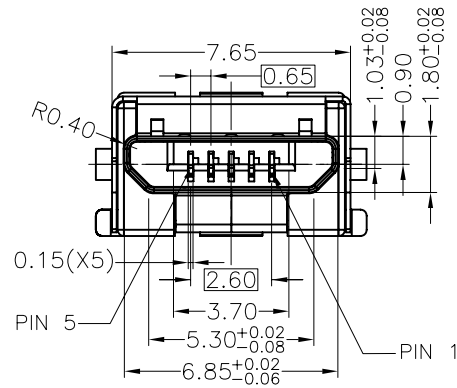


REV	ZONE	LTR	DESCRIPTION	DATE	REVISER	APPD



SEC B-B
SCALE 1:1

ORDERING INFORMATION
 3 MB S 05 P -3 * * * - *
 (1) (2) (3) (4) (5) (6) (7) (8) (9) (10)

1.SERIES NO.
 3: USB CONNECTOR

2.PRODUCT CONSTRUCTION TYPE
 MA:MICRO A TYPE
 MB:MICRO B TYPE
 MC:MICRO AB TYPE

3.TAIL CONSTRUCTION TYPE
 S:SOLDER TYPE

4.NUMBER OF PIN
 05:5POSITIONS

5.CONTACT&CONNECTIONG TYPES:
 P:PLUG

6.COLOR CODES
 3:BLACK

7.CONTACT PLATING:
 0: GOLD FLASH OVER NICKEL,SOLDER AREA PLATING TIN
 2: 15U" GOLD OVER NICKEL,SOLDER AREA PLATING TIN
 3: 30U" GOLD OVER NICKEL,SOLDER AREA PLATING TIN
 4: GOLD FLASH OVER NICKEL,SOLDER AREA PLATING GOLD
 5: 15U" GOLD OVER NICKEL,SOLDER AREA PLATING GOLD
 6: 30U" GOLD OVER NICKEL,SOLDER AREA PLATING GOLD

8.SHELL PLATING:
 0:WITHOUT PLATING
 N:NICKEL PLATING

9.SUFFIX NO.1
 A:WITH PCB
 B:WITHOUT PCB AND WITHOUT COVER
 C:WITHOUT PCB AND WITH COVER

10.SUFFIX NO.2
 P:PVC TRAY PACKAGE

ITEM	PART NAME	Q'TY/EA	MATERIALS	NOTE
⑥	PCB	1	RF-4	
⑤	HOUSING	1	LCP	UL94V-0
④	CONTACT 2	3	COPPER ALLOY	GOLD, OR NICKEL PLATING
③	SHELL	1	STAINLESS STEEL	SUS304-H
②	LATCH	2	STAINLESS STEEL	SUS304-H
①	CONTACT 1	2	COPPER ALLOY	Cu ALL OVER, PLATED OVER NICKEL

MATERIAL	TOLERANCE UNSPECIFIED		SCALE	NO	UNIT	mm
	± ± 0.15 ± 0.20 ± 0.25 ± 1°					
FINISH	DRAWN	Freeqin	05/4-09	NAME	USB2.0 MICRO-B PLUG SOLDER TYPE	SHEET 1/1
	DESIGNER	Freeqin	05/4-09			
	CHECKED	Dimie	05/4-09			
	APPROVED	Peter	05/4-09			
DRAWING NO.				R-S13MS-2	REV	1